

120mm sq.

San Ace 120

25mm thick, 38mm thick
with an external thermistor/
with a built-in thermistor



General Specifications

- Material Frame: Plastics (Flammability: UL94V-0), Impeller: Plastics (Flammability: UL94V-1)
- Life Expectancy Varies for each model (L10: Survival rate: 90% at 60°C, rated voltage, and continuously run in a free air state)
- Lead Wire ⊕red ⊖black (Control) brown (Only for external thermistor type)
- Fail-safe The motor becomes high speed when the thermistor is unable to detect the temperature in case of open or short circuit etc.
- Storage Temperature -30°C to +70°C (Non-condensing)

120×120×38mm (Mass : 260g)

Specifications with an external thermistor The numbers in () represent ribless models.

Model No.	Rated Voltage [V]	Operating Voltage Range [V]	Rated Current [A]	Rated Input [W]	Rated Speed [min ⁻¹]	Air Flow [m ³ /min] [CFM]	Static Pressure [Pa] [inchH ₂ O]	SPL [dB(A)]	Operating Temperature [°C]	Life Expectancy [h]
109R1212T1H12(121)	12	10.2 to 13.8	0.48	5.75	2,600	2.9 102.4	64.7 0.260	39	-10 to +60	40,000
			0.23	2.76	1,300	1.4 49.4	16.2 0.065	24		

Note: The top row gives characteristics shown when the thermistor temperature is 35°C, while the bottom row gives characteristics shown when the thermistor temperature is 28°C.

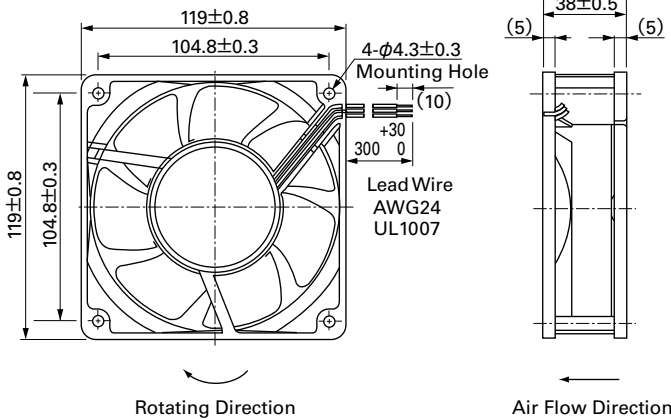
with a built-in thermistor The numbers in () represent ribless models.

Model No.	Rated Voltage [V]	Operating Voltage Range [V]	Rated Current [A]	Rated Input [W]	Rated Speed [min ⁻¹]	Air Flow [m ³ /min] [CFM]	Static Pressure [Pa] [inchH ₂ O]	SPL [dB(A)]	Operating Temperature [°C]	Life Expectancy [h]
109R1212T1H122(123)	12	10.2 to 13.8	0.48	5.75	2,600	2.9 102.4	64.7 0.260	39	-10 to +60	40,000
			0.23	2.76	1,300	1.4 49.4	16.2 0.065	24		

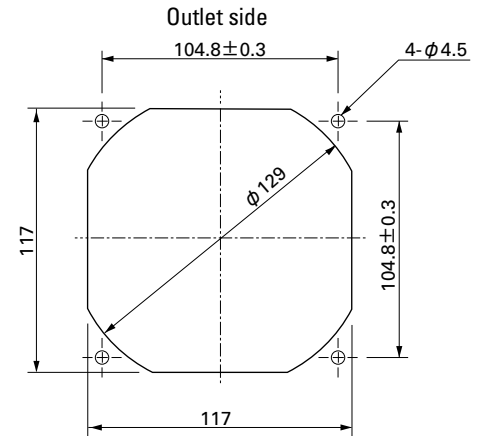
Note: The top row gives characteristics shown when the temperature is 40°C, while the bottom row gives characteristics shown when the temperature is 30°C.

Dimensions (Unit : mm) (With ribs)

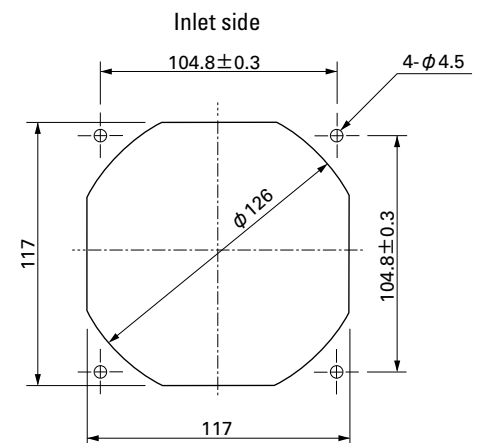
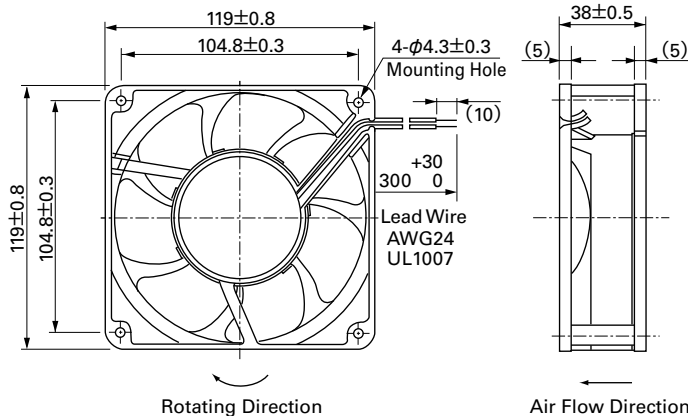
with an external thermistor



Reference dimension of mounting holes and vent opening (Unit : mm)



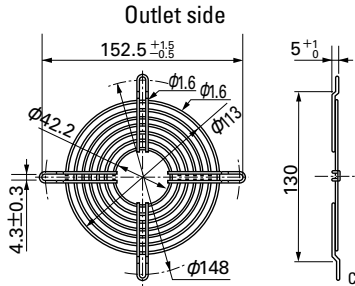
with a built-in thermistor



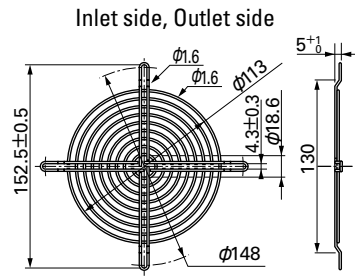
Options (Unit : mm)

Finger guards

Model : 109-019C Surface treatment : Nickel-chrome plating (silver) Color
: 109-019H : Cation electropainting (black)

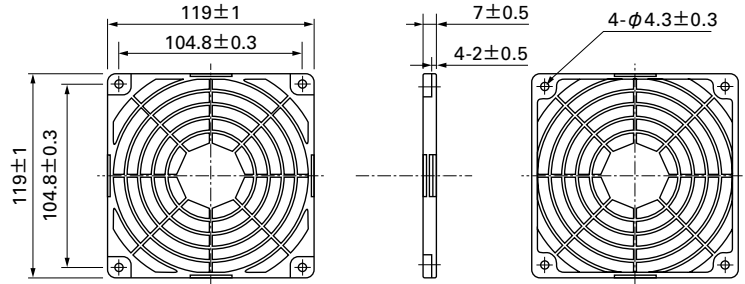


Model : 109-019E Surface treatment : Nickel-chrome plating (silver) Color
: 109-019K : Cation electropainting (black)



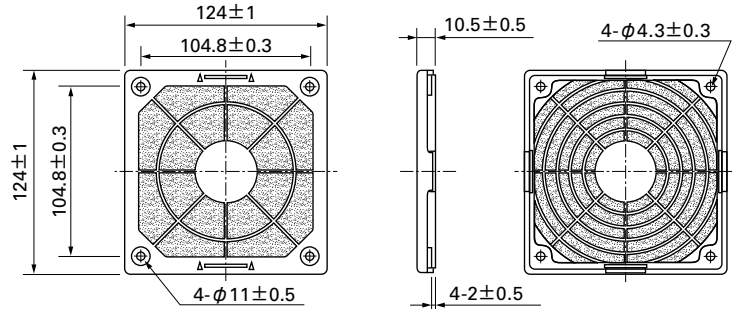
Resin finger guards

Model : 109-1000G



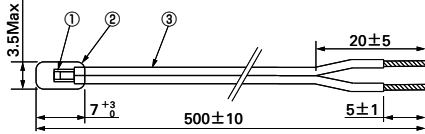
Resin filter kits

Model : 109-1000F13 (13PPI), 109-1000F20 (20PPI), 109-1000F30 (30PPI), 109-1000F40 (40PPI)



Thermistor

Model : 169-002



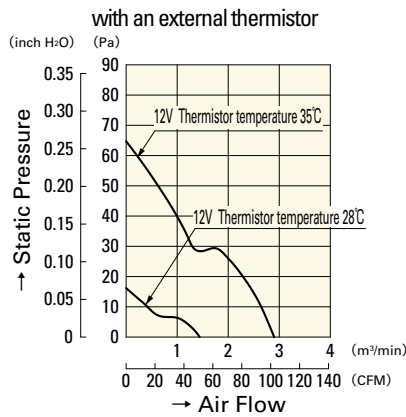
Number	Name	Standards, materials, etc.
①	Thermistor	Chip
②	Insulated cord	Epoxy resin
③	Lead	UL2555 CSA TR-64 AWG#28 (blue)

Item	Spec
2-1	Resistance R25 6.8KΩ ± 3%
2-2	B constant B25/50 3950K ± 2%
2-3	Maximum rated power 188mW (25°C under still air)
2-4	Insulation resistance 100MΩ or more (DC500V megger)
2-5	Dielectric strength No problem (AC1500V 1 minute)
2-6	Operating temperature range -30°C to +80°C
2-7	Storage temperature range -40°C to +100°C

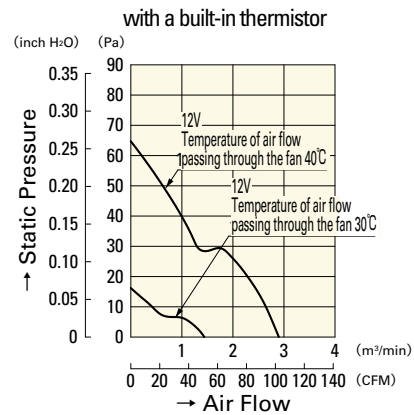
Manufactured by OHIZUMI MGF CO.,LTD.

Thermal Speed Controlled Fan 120mm

Air Flow and Static Pressure Characteristics



109R1212T1H12(121)

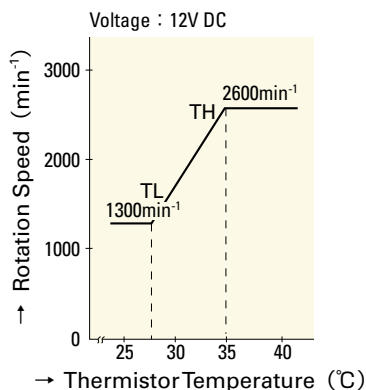


109R1212T1H122(123)

Temperature-Rotation Speed Characteristics

with an external thermistor

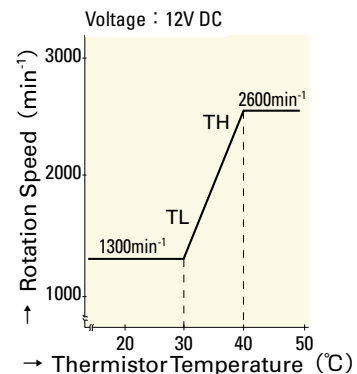
■ Characteristics of Thermistor-detected Temperature vs Speed



109R1212T1H12(121)

with a built-in thermistor

■ Typical characteristics of temperature of air flowing through the fan versus rotation speed



109R1212T1H122(123)

120mm