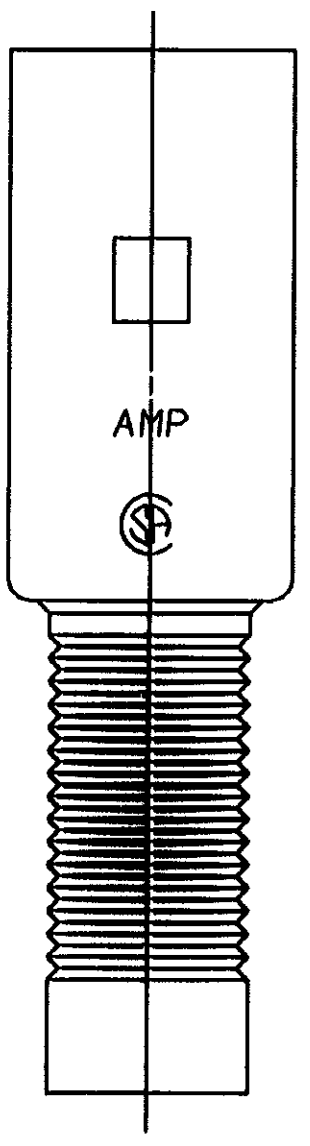
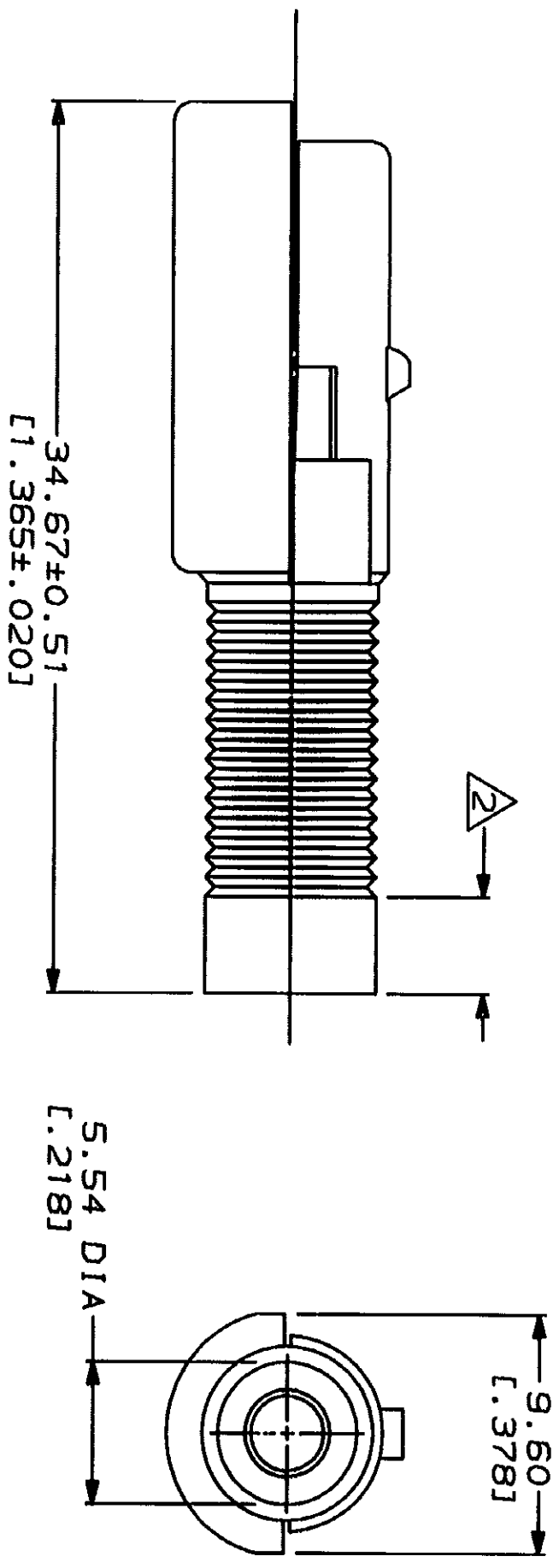


DRAWING MADE IN THIRD ANGLE PROJECTION

THIS DRAWING IS UNPUBLISHED. RELEASED FOR PUBLICATION BY AMP INCORPORATED. ALL INTERNATIONAL RIGHTS RESERVED. COPYRIGHT 1981

MOD 1 LOC BD DIST 37

REVISIONS		DATE	APPRO
		8-16-91	-
E1	REV PER EC 0020-521-93	05/03/93	AT



- PRODUCT PERFORMANCE IN COMPLIANCE WITH APPLICABLE PORTIONS OF AMP PRODUCT SPECIFICATION 108-10033.
- SERRATIONS IN THIS AREA OPTIONAL.

DO NOT SCALE PRINT. UNLESS SPECIFIED DIMENSIONS IN INCHES TOLERANCES ON: 2 PLG DEC ± 0.25(.010) 3 ANGLES		DR 8-16-91 J GALLUCCI BS	AMP	AMP Incorporated Harrisburg, PA 17105-3608
MATERIAL NYLON, RED		CHK 9-23-91 J.MOULINTW	NAME HERMAPHRODITIC SINGLE	
FINISH		APPD 9-23-91 A. TRAVIS	POSITION HOUSING, SPECIAL METRIMATE	
APPLICATION SPEC		PRODUCT SPEC	SCALE 4:1	
WEIGHT			SIZE B	
			CAGE CODE 00779	DRAWING NO 211076
			SHEET 1 OF 1	

211076-1
PART NUMBER