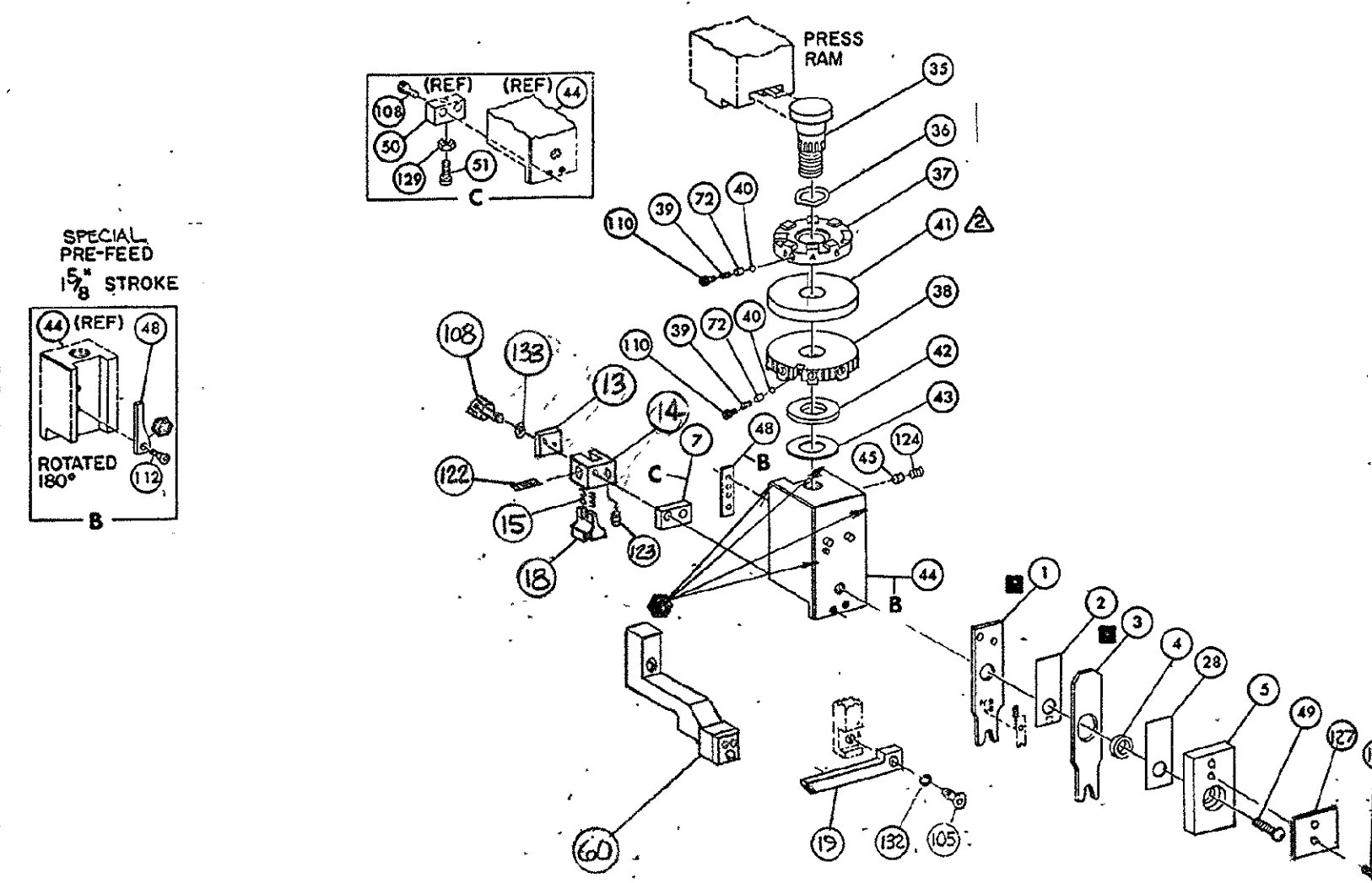
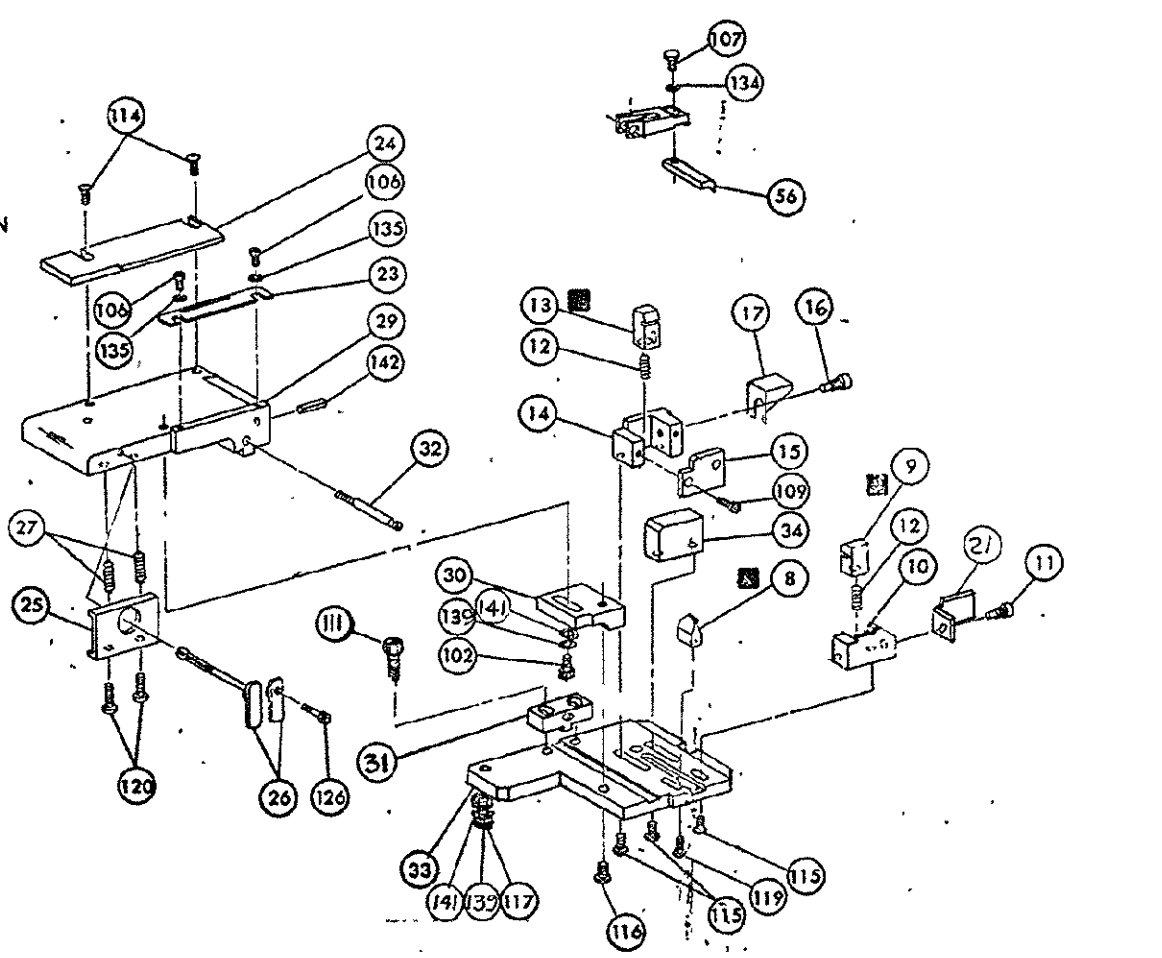


THIS IS A CONTROLLED DOCUMENT.



- NOTES:**
- L- ONLY THE ITEMS WITH QUANTITIES SPECIFIED ON PARTS LIST ARE USED ON THIS APPLICATOR.
  - ▲-USED IN PLACE OF ITEM 38 WHEN INSULATION CRIMP IS NOT USED.
  - 3-FEED PIVOT-CENTER HOLE
  - ▲ SEE REMARKS

- KEY:**
- RECOMMENDED SPARE PARTS CUSTOMER RESPONSIBLE FOR REPLACEMENT.
  - GREASE WEEKLY



QTY	PART NO	DESCRIPTION	ITEM NO	QTY	PART NO	DESCRIPTION	ITEM NO
1	4-21028-0	PIN, SLOT SPR (.093 DIA X .75) STR G PLATE	142	REF	694433-2	PAWL FEED	56
2	21899-2	WASHER, FLAT (NO 12) MOUNTING	141				55
1	21899-2	WASHER, FLAT (NO 10) S-G ADJ BLOCK	140				54
2	21024-5	WASHER, LOCK (NO 10) MOUNTING	139				53
1	21024-5	WASHER, LOCK (NO 10) STRIP GUIDE ADJ BLOCK	138				52
			137				51
			136				50
2	21024-2	WASHER, LOCK (NO 4) FRONT STRIP GUIDE	135	1	7-21002-9	BUMPER, HOLDDOWN	51
REF	21024-4	WASHER, LOCK (NO 8) FEED FINGER	134	1	7-21002-9	SPACER, TONKER	50
2	21024-4	WASHER, LOCK (NO 8) DEPRESSOR	133	1	690602-6	BOLT, CRIMPER (BUT. HD. 5/16-24 UNF X 1.00)	49
REF	21024-4	WASHER, LOCK (NO 8) STRIPPER	132			CAM PRE FEED 1.6Z STROKE	48
			131				47
			130				46
			129				45
			128				44
			127				43
			126				42
			125				41
1	21009-2	SCR, SKT SET (1/4-20 X .25) (LOC-WEL) RAM	124	2	23241-6	PLUG, NYLON	40
1	2-21008-1	SCR SKT SET (4-40 X .25) (LOC-WEL) HOLD DOWN	123	2	690170-1	RAM	39
1	4-21028-0	PIN SLOT SPR (.094 X .75)	122	1	690142-1	WASHER, LAMINATED	38
			121	1	1-690692-2	WASHER, RAM	37
			120	1	22480-5	DISC, SPACER	36
2	3-21002-0	SCR, BUT HD SKT CAP (10-32 X .88) DRAG	119	1	690212-1	DISC, INSULATION	35
1	22733-8	SCR, BUT HD SKT CAP (8-32 X .38) (LOC-WEL) ANVIL	118	1	692776-4	POST, RAM	34
			117	1	462544-1	SUPPORT, TERMINAL	33
1	3-21000-9	SCR, SCG HD SKT CAP (10-32 X 1.00) MOUNTING	116	1	690432-3	PLATE, BASE SPECIAL	32
1	2-22733-1	SCR, BUT HD SKT CAP (10-32 X .50) SG ADJ BLOCK	115	1	462543-1	SCREW, ADJUSTMENT	31
4	2-21002-2	SCR, BUT HD SKT CAP (8-32 X .50) SHEAR	114	1	455673-1	BLOCK, SCREW SPECIAL	30
2	2-21002-2	SCR, BUT HD SKT CAP (8-32 X .50) R STRIP GUIDE	113	1	455671-4	BLOCK, STRIP GUIDE ADJ	29
			112	1	1-455888-0	PLATE, STRIP GUIDE	28
1	1-21002-7	SCR, BUT HD SKT CAP (6-32 X .50) CAM	111	2	1-22284-0	SPACER, FRONT SHEAR DEPRESSOR	27
2	2-21000-7	SCR, SKT HD CAP (8-32 X .50) SCR BLOCK	110	1	690546-1	SPRING, DRAG	26
2	23030-1	SCR, SKT HD CAP (6-32 X .25) (LOC-WEL) CP DISC	109	1	240792-5	LEVER, DRAG RELEASE	25
			108	1	6-690504-8	DRAG, STOCK	24
2	5-21006-6	SCR, SET HD CAP (8-32 X .15) DEPRESSOR (REAR)	107	1	690438-1	GUIDE STRIP (REAR)	23
REF	2-21002-1	SCR, BUT HD MACH (8-32 X .38) FEED FINGER	106			GUIDE STRIP (FRONT)	22
2	1-21000-3	SCR, SKT HD CAP (4-40 X .25) F STRIP GUIDE	105	1	463756-1	GUIDE, SCRAP	21
REF	2-21002-1	SCR, BUT HD CAP (8-32 X .38) STRIPPER	104	REF	462615-1		20
			103	1	459551-1	STRIPPER	19
			102			HOLDER, TERMINAL	18
1	3-22603-1	SCR, HEX HD CAP (10-32 X .38) SG ADJ BLOCK	101			GUARD, CHIP (REAR)	17
			79			STOP, SHEAR (REAR)	16
			78	2	3-22278-0	SPRING, HOLD DOWN	15
2	463310-5	BLADE STRIPPING (#20)	77	1	455052-1	HOLDER, DEPRESSOR	14
			76	1	455053-1	PLATE, RETAINING	13
			75	1	3-22280-3	SPRING, SHEAR	12
			74	1	690461-2	STOP, SHEAR (FRONT)	11
			73	1	462548-1	HOLDER, SHEAR (FRONT) SPECIAL	10
			72	1	462547-1	SHEAR, FLOAT (FRONT) SPECIAL	9
2	690603-1	SPRING, ASSIST	71	1	3-690471-0	ANVIL	8
			70	1	4-240641-2	SPACER, DEPRESSOR (REAR)	7
			69	1	462838-1	DEPRESSOR, SHEAR (REAR)	6
			68	1	2-238011-2	DEPRESSOR, SHEAR (FRONT) SPECIAL	5
			67	1	4-456134-8	SPACER, TUBULAR, INS CRIMPER	4
			66	1	455888-5	CRIMPER, INSULATION	3
			65	1	3-456404-1	SPACER, CRIMPER	2
			64			CRIMPER, WIRE	1

QTY	PART NO	DESCRIPTION	ITEM NO
REF	816472-1	STOP WIRE	

REMARKS	NO	REV
APPL USED ON MACHINE PART NO	MACH SERIAL NO	DISTRIBUTION
CUSTOMER NAME	APPL SERIAL NO	ORIGINAL
ADDRESS	PURCHASE ORDER	CUSTOMER COPY
CITY	ENG APP	FIELD ENG COPY

VISIBLE	CRIMPING DATA	APPLICATOR WILL APPLY			
PAD LTR	CRIMP HEIGHT	WIRE SIZE	STRIP LENGTH	PIN (330 FEED)	SC (356 FEED)
63					
62					
61	A	.040	22	6116	6115
61	B	.038	24	6127	6134
60	C	.048	18 A	550561	350560
	D	.043	20	350699	350570
	CRIMP	SIZE	TYPE	FEED	APPL INST
	WIRE	.070	F	330	A1
	INSUL	.100	F	356	

WIRE RANGE	INSULATION RANGE	PRESS NO
24-18	.090 MAX	463345-1
REMARKS	▲ WIRE SIZE #18 ONLY WHEN APPROVED	

DATE	BY	APP	DATE	BY	APP	DATE	BY	APP

CUSTOMER AND ASSEMBLY DRAWING

466917-1

ALL RIGHTS RESERVED