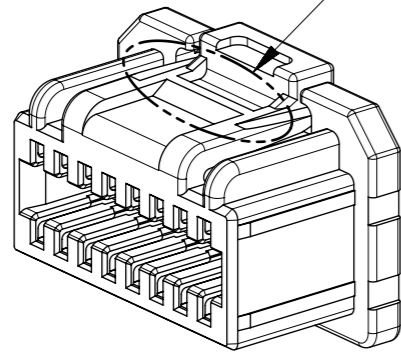
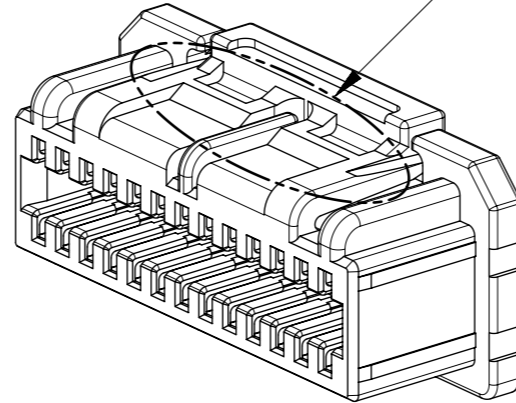




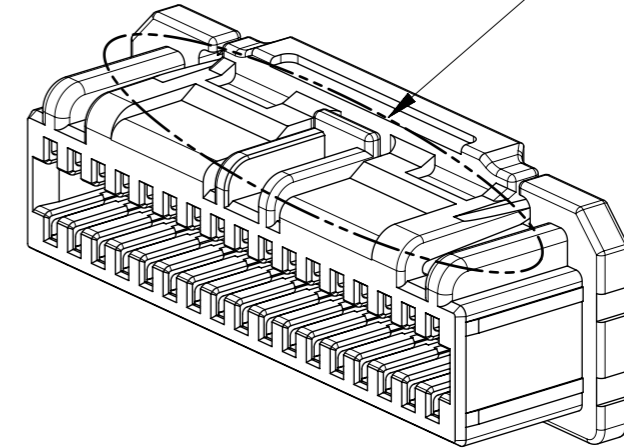
8-24CKT. ロック形状  
LOCK SHAPE OF 8-24P



26-32CKT. ロック形状  
LOCK SHAPE OF 26-32P



34-42CKT. ロック形状  
LOCK SHAPE OF 34-42P



THIS DRAWING CONTAINS INFORMATION THAT IS PROPRIETARY TO MOLEX ELECTRONIC TECHNOLOGIES, LLC AND SHOULD NOT BE USED WITHOUT WRITTEN PERMISSION											
DIMENSION UNITS <b>mm</b>		SCALE <b>NTS</b> <del>4:1</del>		CURRENT REV DESC: REVISED				<b>molex</b>		MICRO-LOCK PLUS 1.25 W/B DUAL ROW RECEPTACLE HOUSING	
GENERAL TOLERANCES (UNLESS SPECIFIED)		ANGULAR TOL ± 3.0°		EC NO: 601895							
4 PLACES ± 0.2		3 PLACES ± 0.2		DRWN: TAKAIKE		2018/07/25		PRODUCT CUSTOMER DRAWING			
2 PLACES ± 0.2		1 PLACE ± 0.2		CHK'D: KOMURAKAMI		2018/07/26					
0 PLACES ± 0.2		INITIAL REVISION:		APPR: TKANEKO		2018/07/26		DOCUMENT NUMBER <b>5054320000</b>			
DRAFT WHERE APPLICABLE MUST REMAIN WITHIN DIMENSIONS		THIRD ANGLE PROJECTION 		DRWN: TAKAIKE		2017/02/10					DOC TYPE PSD
		DRAWING <b>A3-SIZE</b>		SERIES <b>505432</b>		MATERIAL NUMBER		CUSTOMER GENERAL		SHEET NUMBER 2 OF 2	