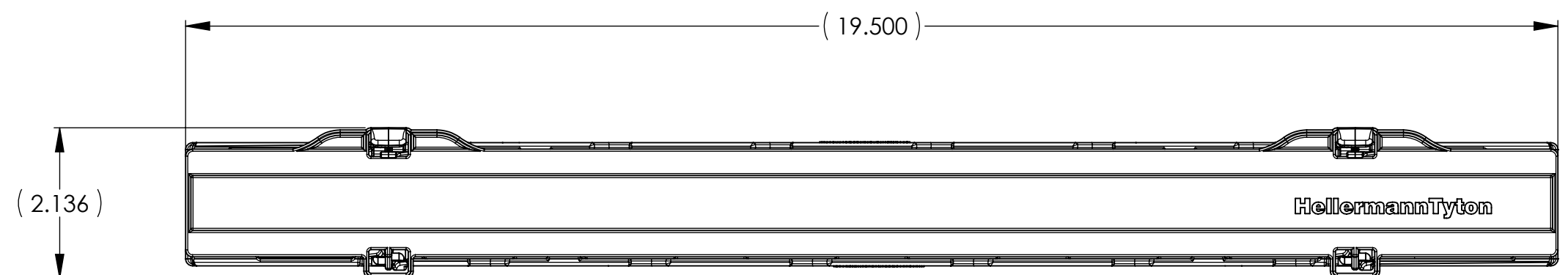
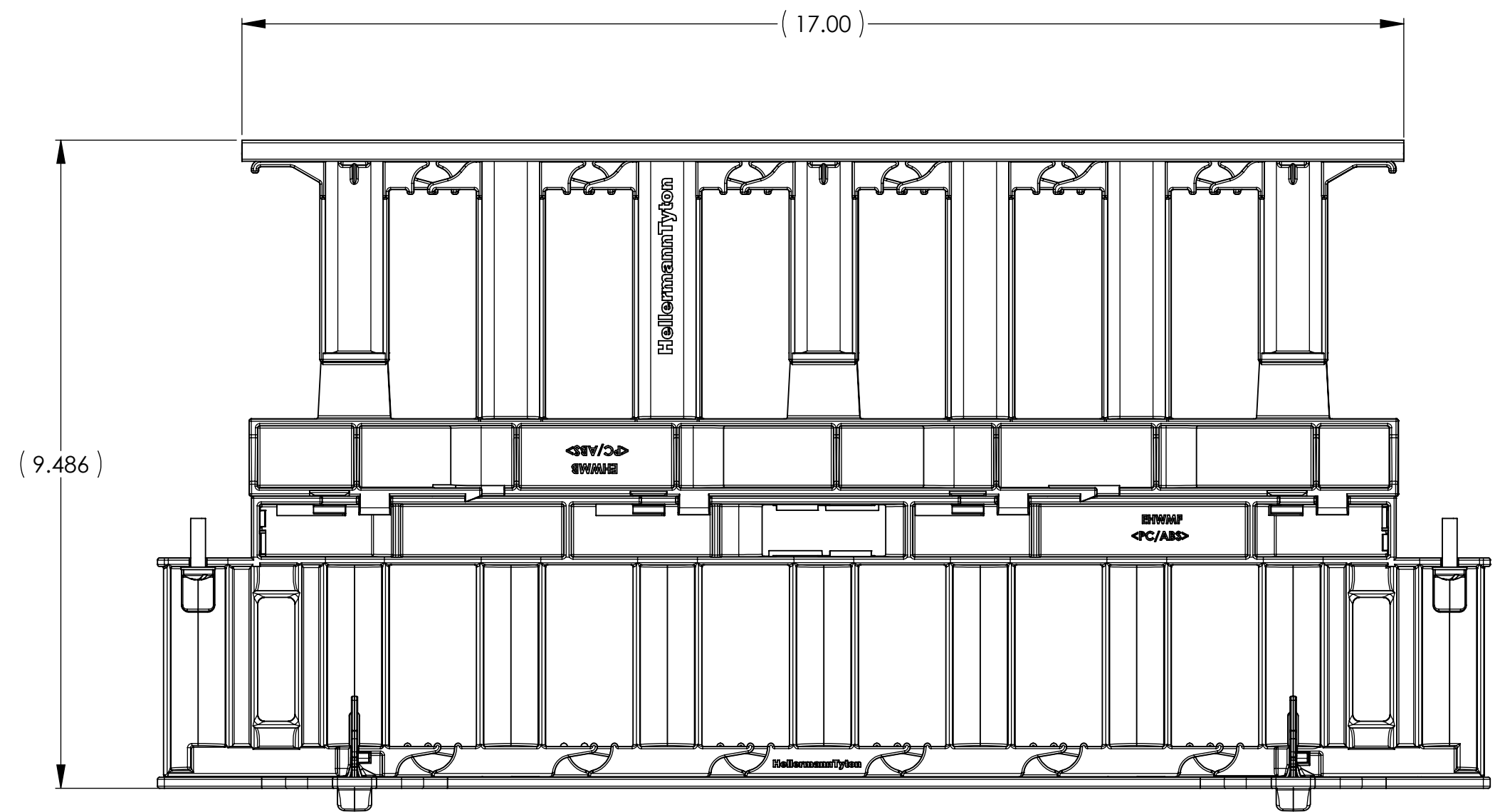
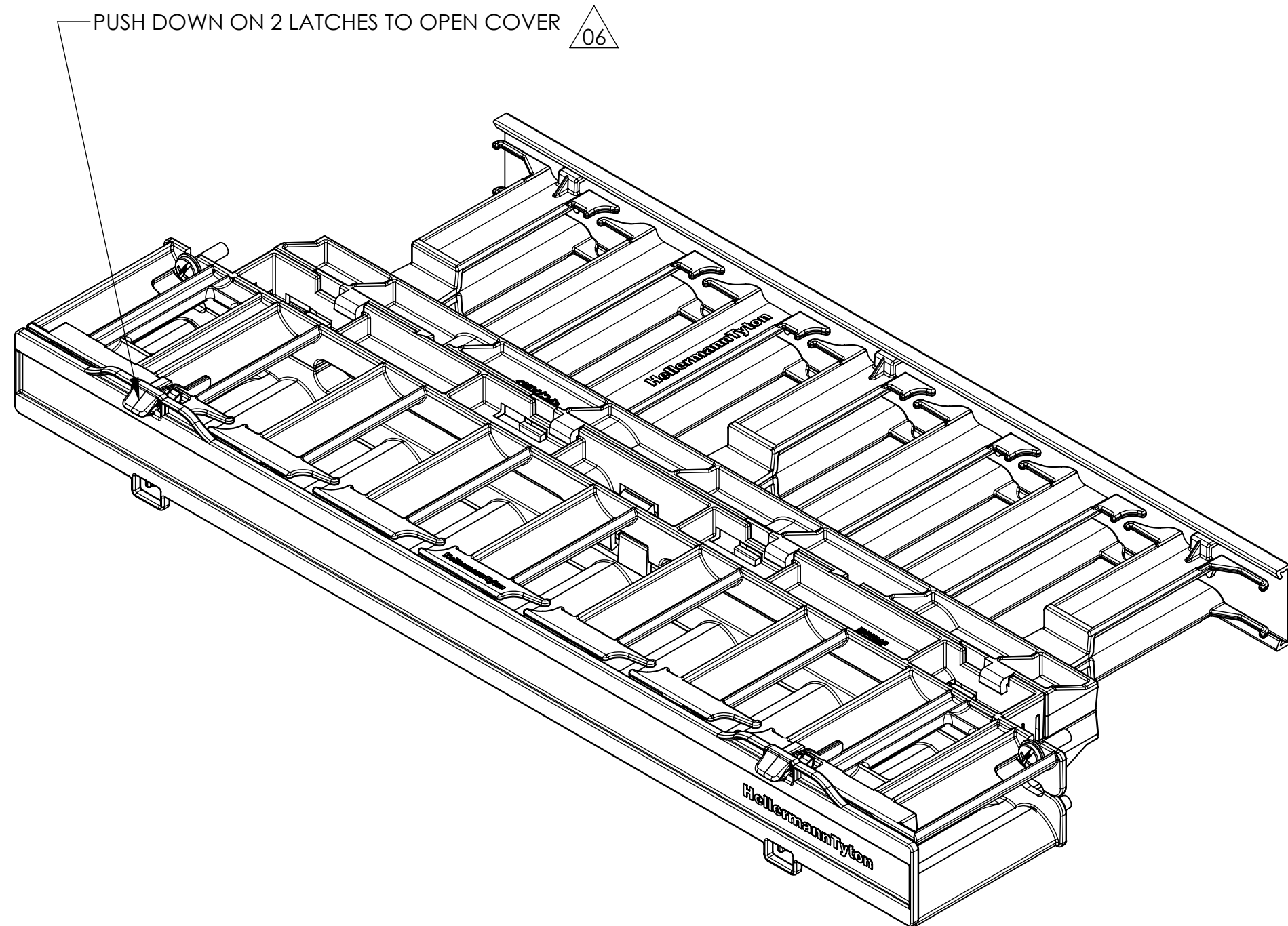


BACK VIEW



INVENTORS

HellermannTyton®

ALL PROPRIETARY RIGHTS IN THE SUBJECT MATTER SHOWN ON THIS DRAWING ARE EXCLUSIVE PROPERTY OF HELLERMANN TYTON

name	date	city, state

NOTES

- 1) FITS 1U SPACE IN A STANDARD COMM. RACK.
- 2) COVER HINGES FROM THE BOTTOM.
- 3) RADIUS EDGES PROVIDE SMOOTH LEAD-IN OF CABLES.
- 4) (4) #12-24 X 3/4" PH HD SCREWS & WAHRSERS PROVIDED. 06

REVISION

level	06
by	AAC
date	10/01/2008
ECN #	011121
part level	-

DIMENSIONS

.XXXX = ±.0005
 .XXX = ±.005
 .XX = ±.01
 .X = ±.03
 ∠ = ±0.5°
 unless otherwise specified
 units inches

PART

number	EHWMN2	phase	Production
MOLDED WIRE MANAGER 1U HORIZONTAL DUAL SIDED			
material	PC/ABS BLACK		

DRAWING

format	C	CAD	SW 2007	scale	1:2
computer file name	DT2017007CST_06		previous drawing number		
drawn	P. NIEDFELDT	checked	KAC	approved	
date	05/16/2003	checked	10/01/2008	approved	
type	Customer	sheet		1 of 1	
number	DT2017007CST				