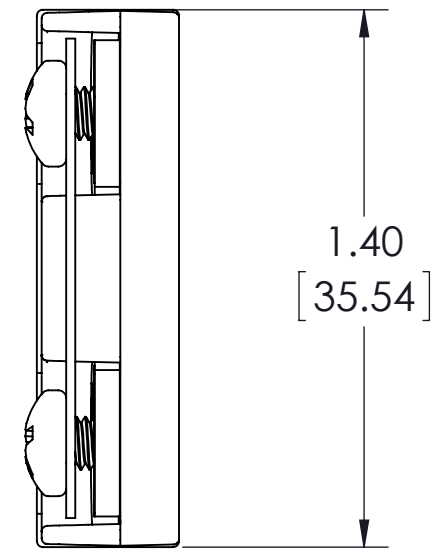
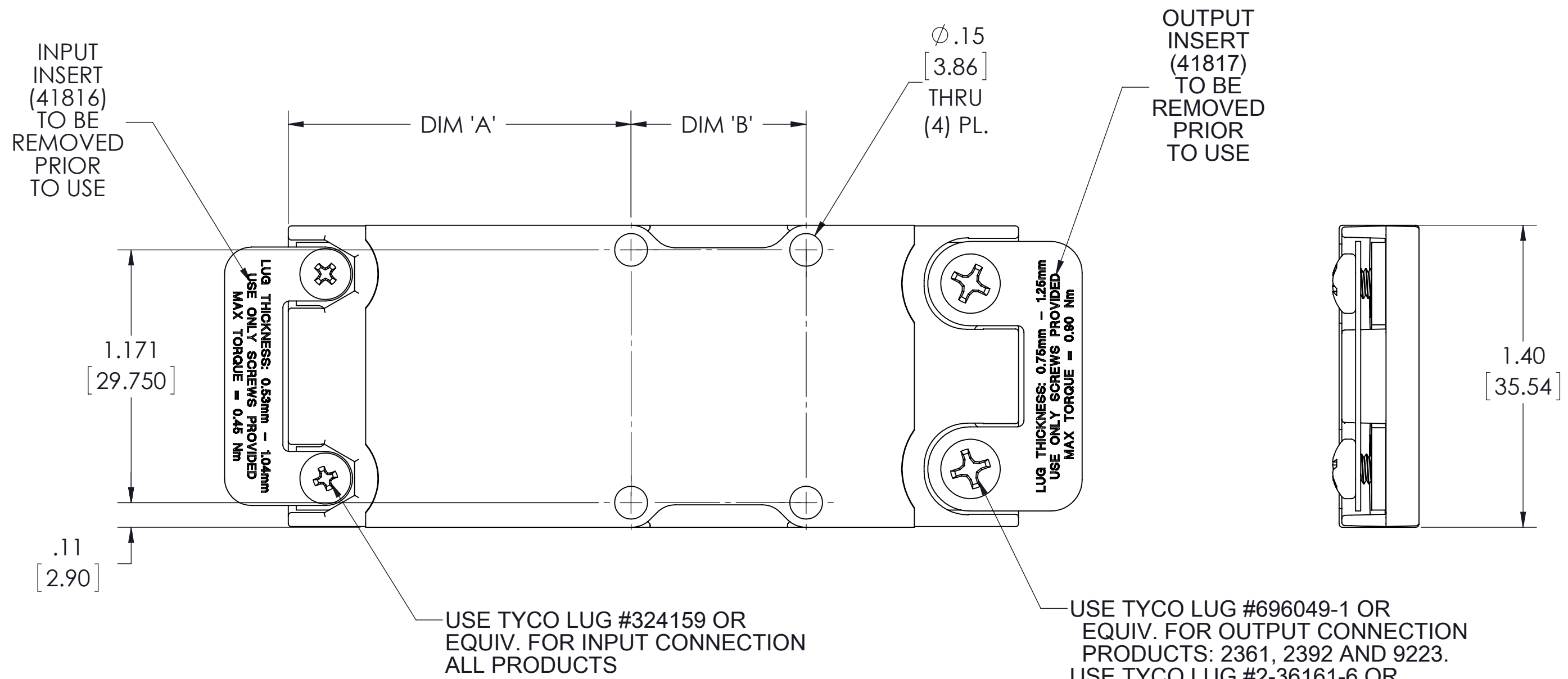
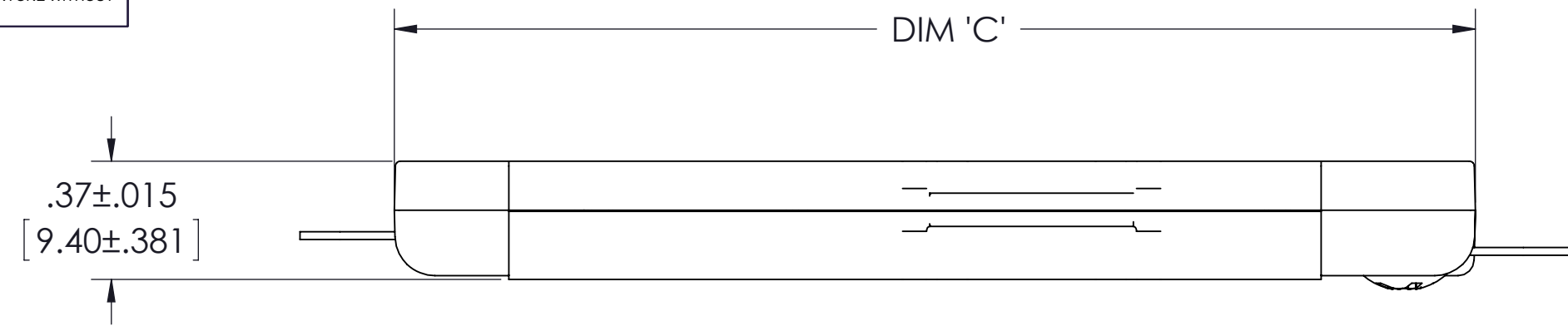
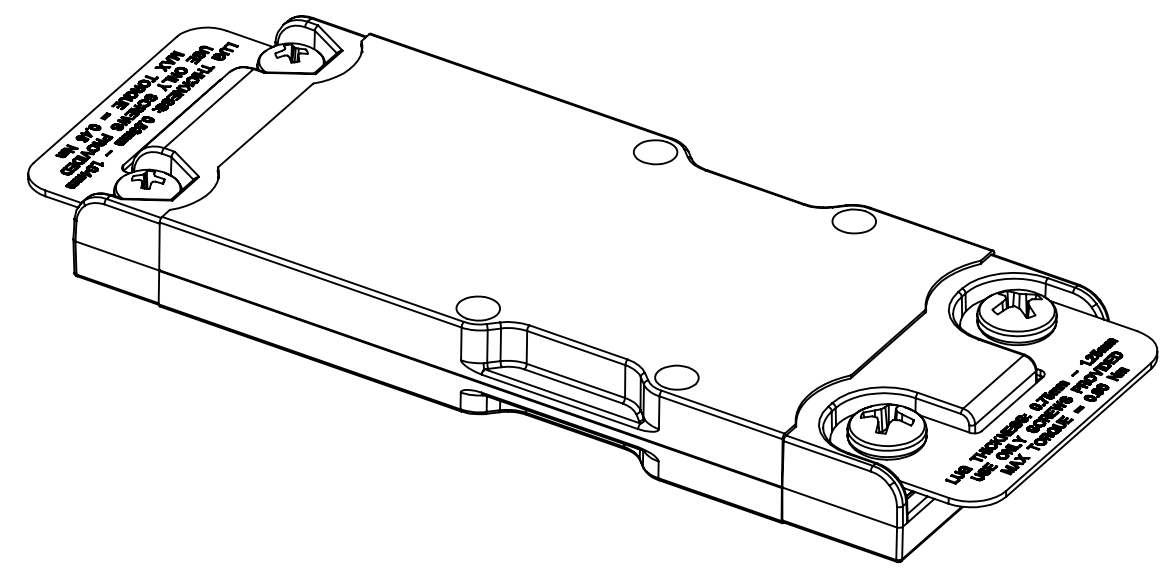


VICOR CONFIDENTIAL
 THIS DOCUMENT AND THE DATA DISCLOSED HEREIN OR HEREWITH IS NOT TO BE REPRODUCED, USED OR DISCLOSED IN WHOLE OR IN PART TO ANYONE WITHOUT THE PERMISSION OF VICOR CORP.

REV.	DESCRIPTION	INTL	DATE	APVD
1	RELEASED PER E151315b	GCK	12/21/15	YZ



PRODUCT	DIM 'A'	DIM 'B'	DIM 'C'
2214 (0 STAGE) 2223	1.02 [25.96]	NA	2.25 [57.11]
2814 (1 STAGE) 2223	1.61 [40.93]	NA	2.84 [72.05]
2814 (0 STAGE) 3623	1.02 [25.96]	.789 [20.033]	2.80 [70.99]
3414 (1 STAGE) 3623	1.61 [40.93]	.789 [20.033]	3.38 [85.93]
3714 (1 STAGE) 4623	1.61 [40.93]	1.150 [29.200]	3.75 [95.12]
3814 (0 STAGE) 2361	1.02 [25.96]	1.277 [32.430]	3.76 [95.59]
3814 (0 STAGE) 2361 NBM	1.02 [25.96]	1.277 [32.430]	3.76 [95.59]
4414 (1 STAGE) 2361	1.61 [40.93]	1.277 [32.430]	4.35 [110.55]
4414 (1 STAGE) 6123	1.61 [40.93]	1.757 [44.625]	4.35 [110.55]
5614 (1 STAGE) 2392	1.61 [40.93]	2.490 [63.250]	5.57 [141.37]
5614 (1 STAGE) 9223	1.61 [40.93]	2.970 [75.445]	5.57 [141.37]



NOTES:
 1- RoHS COMPLIANT PER CST-0001 LATEST REVISION.
 2- SEE PRODUCT DATA SHEET FOR PIN DESIGNATIONS.

DRAWN BY R.E.J. Hickey	DATE 7/27/2015	VICOR SWD		
UNLESS OTHERWISE SPECIFIED DIMENSIONS ARE : INCH / (MM)		PROD OUTL, VIA, CHASSIS MNT, W/O COMM.		
TOLERANCES ARE: DECIMALS ±0.01 [0.25] ANGLES ±1° X.XX [X.XX] = ±0.01 [0.25] ±1° X.XXX [X.XXX] = ±0.005 [0.127]		SIZE C	CAGE CODE 67131	DWG NO 42691
THIRD ANGLE PROJECTION 		SCALE 2:1	REV 1	SHEET 1 OF 1