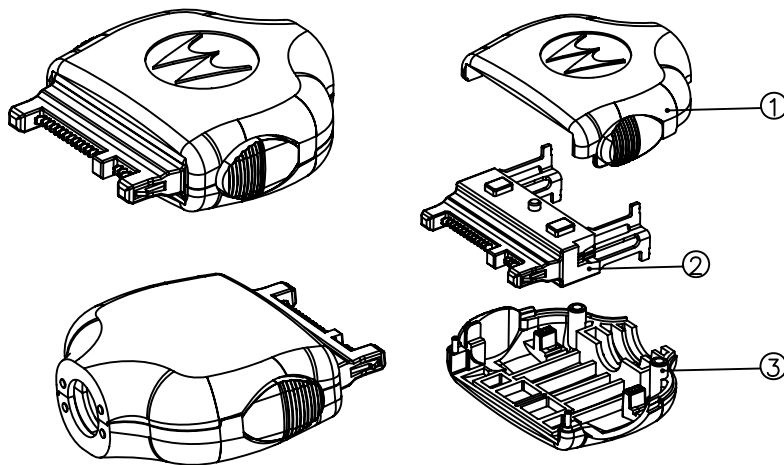
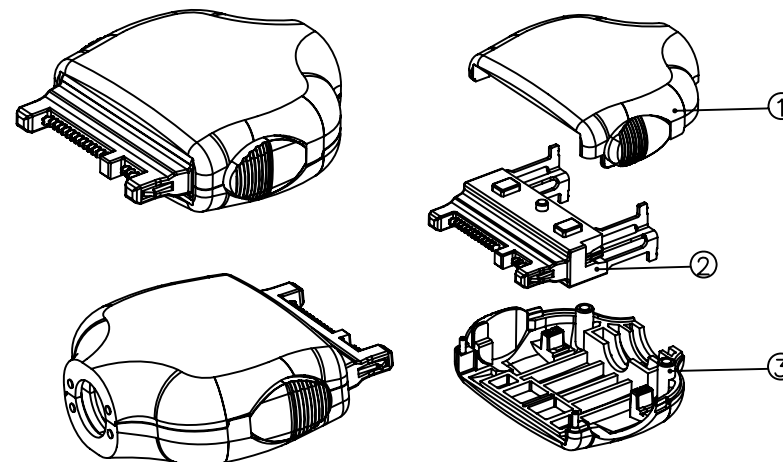




	DESCRIPTION	PART NUMBER	10012838-001LF	10012838-004LF	10012838-003LF	REMARK
			Q'TY	Q'TY	Q'TY	
1	TOP COVER	10017335-001	1	1	N/A	WITH "M" LOGO
		10017335-002	N/A	N/A	1	WITHOUT "M" LOGO
2	17P DATA PLUG ASS'Y	10028885-001LF	1	1	1	
3	BOTTOM COVER	10017334-001	1	1	1	
	REMARK			Special package		



10012838-001LF/001/004LF



10012838-003LF

Notes:

- The housing of 10028885-xxx will withstand exposure to 260°C peak temperature for 10 seconds in a convection, infra red vapor phase reflow oven
- 10012838-001LF meets European union directives and other country regulations as described in GS-22-008
- Lead free label on the carton of 10028885-001LF per GS-14-920
- Plating specification for terminal:
1.2 um minimum nickel all over followed by:
Contact side: 0.8 um minimum Au
Solder tail side: 2.5 ~ 10 um pure Sn for 10028885-001LF/003LF

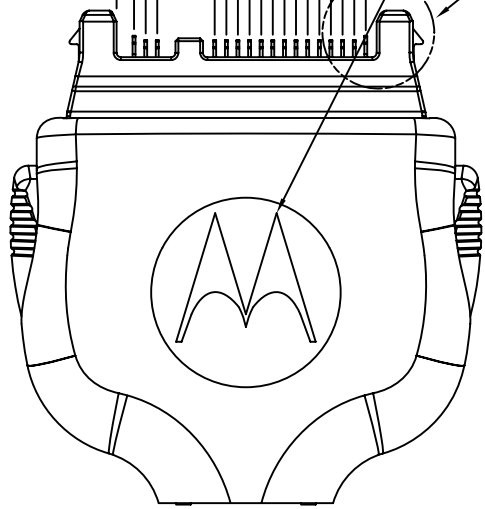
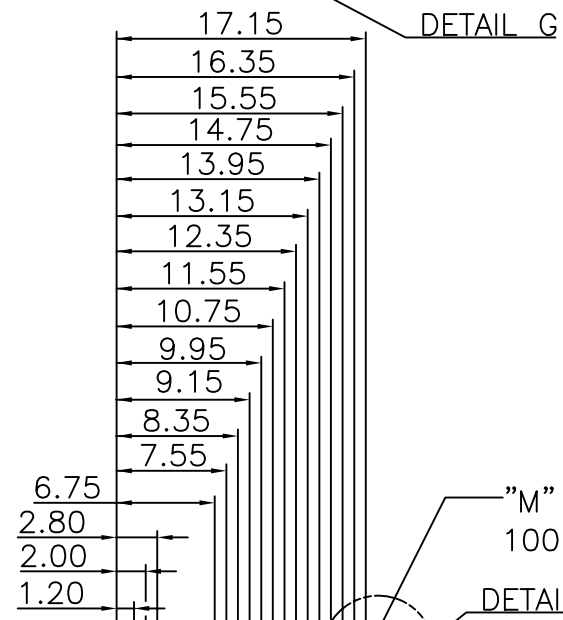
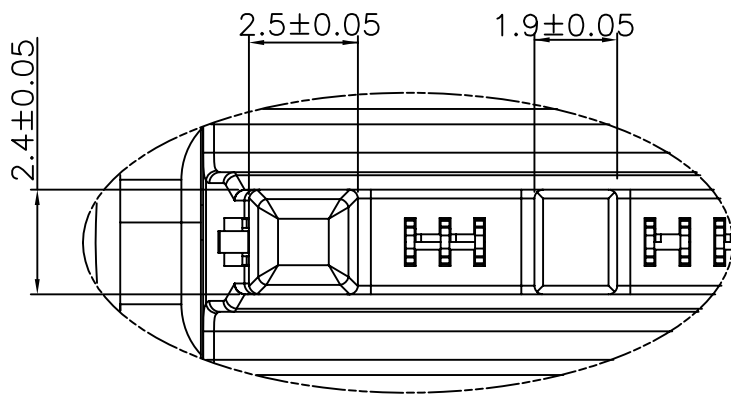
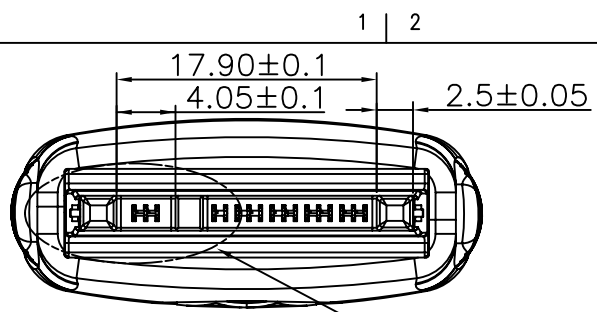
mat'l. code				tolerances unless otherwise specified		CUSTOMER COPY	FCI	
ltr	ecn no	dr	date	linear	.X ± 0.15	projection	title 17P DATA PLUG ASS'Y	
C	T03-0322	M W	08/06/03		.XX ± 0.10			
D	T04-0217	M W	05/19/04		.XXX ±			
E	pg04-0077	P M	10/12/04	angles	.0° ± 2°	MM	product family MOBILE I/O code size dwg no	
F	pg04-0096	P M	12/16/04	dr	MAGGIE WU 05/22/03			
G	pg05-0099	P M	07/11/05	enrg	LEIF SHEN 05/22/03	scale	A4 10012838	
H	pg06-0452	C L	11/07/06	chr	PAUL WANG 05/22/03			
J	pg07-0027	C L	01/22/07	appd	JENN TSAO 05/22/03	2:1	sheet 1 of 4	
sheet index	revision sheet	J	G	C	C			

Tous droits strictement reserves. Reproduction ou communication a des tiers interdite sous quelque forme que ce soit sans autorisation ecrite du proprietaire. Propriete de c FCI. Droits de reproduction FCI.

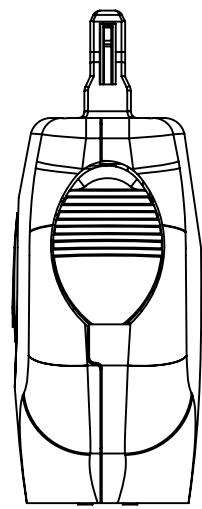


All rights strictly reserved. Reproduction or issue to third parties in any form whatever is not permitted without written authority from the proprietor. Property of FCI. Copyright FCI.

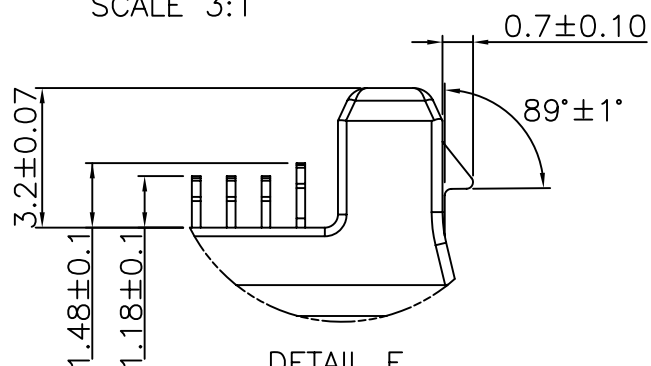
PART NUMBER	10012838-001LF
	10012838-003LF
	10012838-004LF



"M" LOGO ONLY FOR
10012838-001/001LF



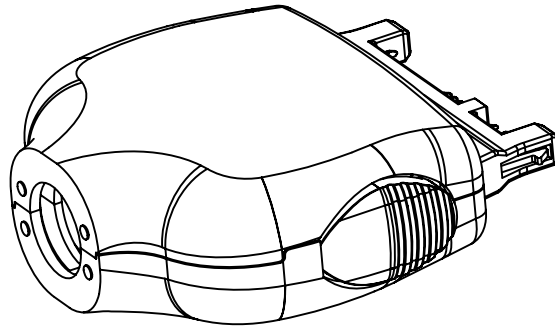
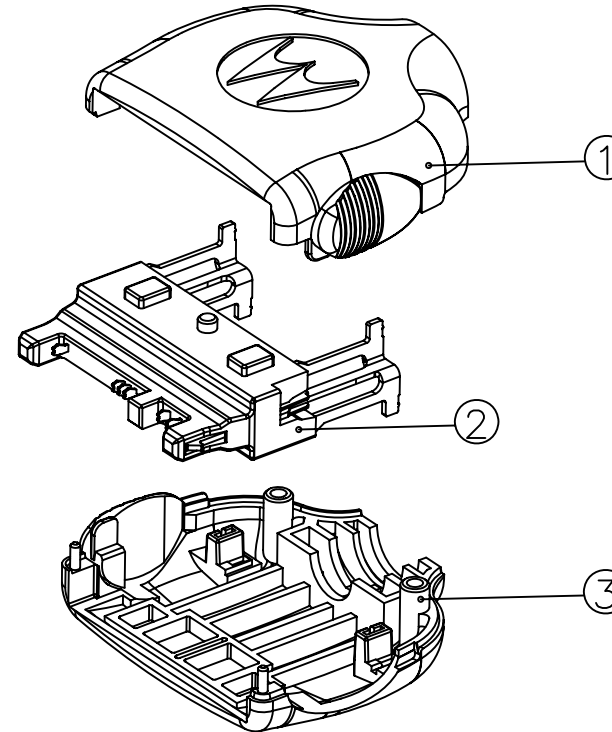
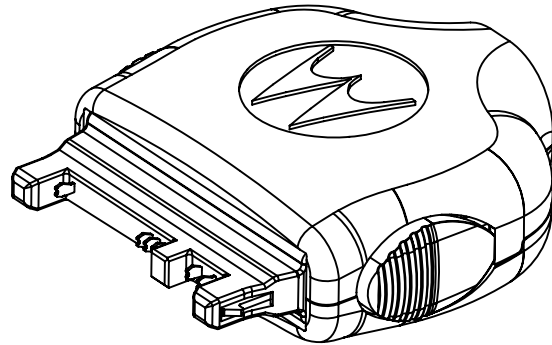
DETAIL G
SCALE 3:1



DETAIL F
SCALE 3:1

mat'l. code				tolerances unless otherwise specified		CUSTOMER COPY		FCI www.fciconnect.com	
ltr	ecn no	dr	date	linear	.X ± 0.15	projection	title		
G					.XX ± 0.10		17P DATA PLUG ASS'Y		
				angles	.XXX ±		product family	MOBILE I/O	code
				dr	.0° ± 2°	MM	size	dwg no	sheet
				enr	MAGGIE WU 05/22/03	scale	A4	10012838	2 of 4
				chr	LEIF SHEN 05/22/03	2:1			
				appd	PAUL WANG 05/22/03				
					JENN TSAO 05/22/03				
sheet index	revision sheet							cage code	
								22526	

	DESCRIPTION	PART NUMBER	10012838-002LF
			Q'TY
1	TOP COVER	10017335-001	1
2	6P DATA PLUG ASS'Y	10028885-002LF	1
3	BOTTOM COVER	10017334-001	1



Notes:

- The housing of 10028885-xxx will withstand exposure to 260°C peak temperature for 10 seconds in a convection, infra red vapor phase reflow oven
- 10012838-002LF meets European union directives and other country regulations as described in GS-22-008
- Lead free label on the carton of 10028885-002LF per GS-14-920
- Plating specification for terminal:
 1.2 um minimum nickel all over followed by:
 Contact side: 0.8 um minimum Au
 Solder tail side: 2.5 ~ 10 um pure Sn for 10028885-002LF

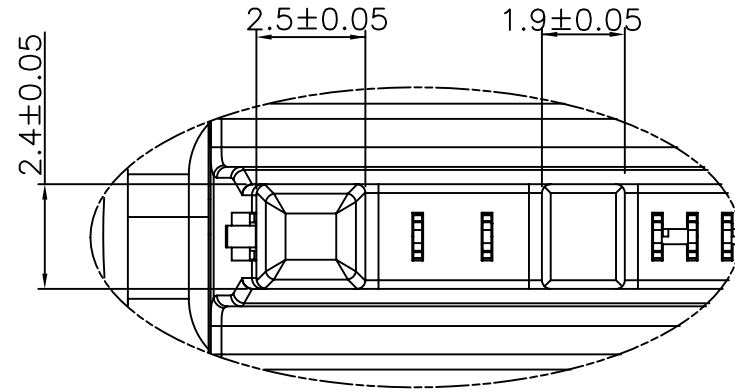
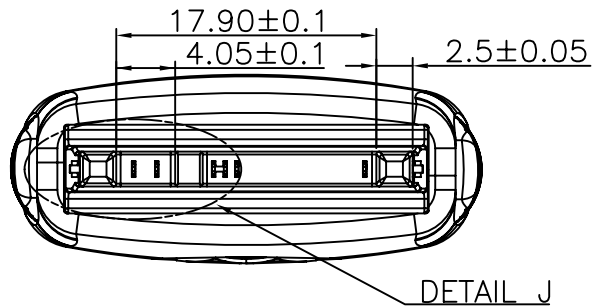
mat'l. code		tolerances unless otherwise specified		CUSTOMER COPY		 www.fciconnect.com		
ltr	ecn no	dr	date	linear	.X ± 0.15	projection	title	
C					.XX ± 0.10		17P DATA PLUG ASS'Y	
					.XXX ±			
				angles	.0° ± 2°	 MM	product family	
				dr	MAGGIE WU 05/22/03		MOBILE I/O	code
				engr	LEIF SHEN 05/22/03		size	—
				chr	PAUL WANG 05/22/03		dwg no	sheet
				appd	JENN TSAO 05/22/03	scale	3 of 4	
						2:1	10012838	
sheet index	revision sheet							

Tous droits strictement reserves. Reproduction ou communication a des tiers interdite sous quelque forme que ce soit sans autorisation ecrite du proprietaire. Propriete de c FCI. Droits de reproduction FCI.

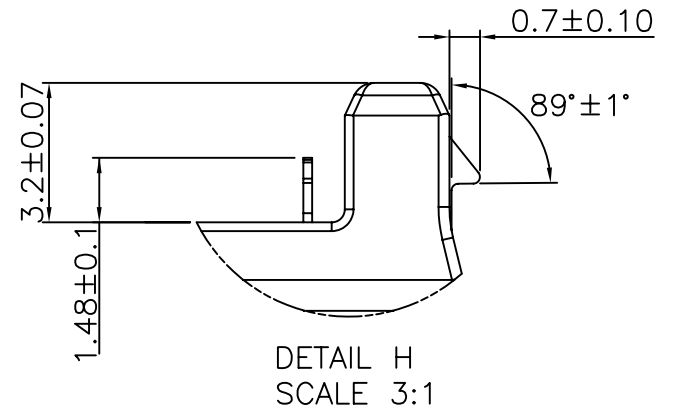
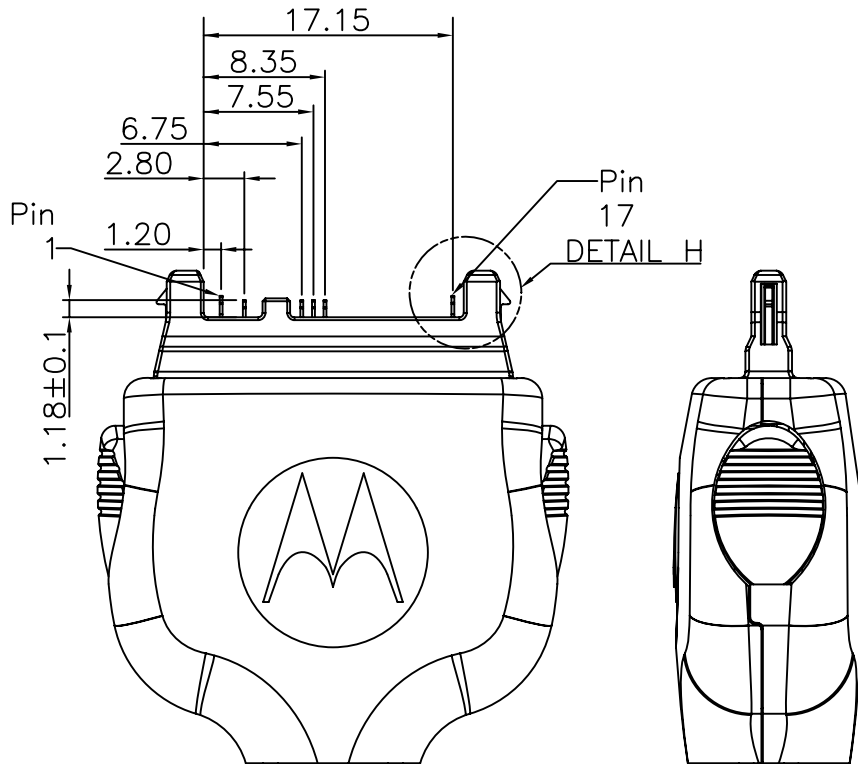


All rights strictly reserved. Reproduction or issue to third parties in any form whatever is not permitted without written authority from the proprietor. Property of FCI. Copyright FCI.

PART NUMBER 10012838-002LF



DETAIL J
SCALE 3:1



DETAIL H
SCALE 3:1

mat'l. code				tolerances unless otherwise specified		CUSTOMER COPY		FCI www.fciconnect.com		
ltr	ecn no	dr	date	linear	.X ± 0.15	projection	title			
C					.XX ± 0.10			17P DATA PLUG ASS'Y		
				angles	.0° ± 2°			product family MOBILE I/O code		
				dr	MAGGIE WU 05/22/03		size		code	
				engr	LEIF SHEN 05/22/03		A4		—	
				chr	PAUL WANG 05/22/03	scale	10012838		sheet	
				appd	JENN TSAO 05/22/03	2:1	4 of 4			
sheet index	revision sheet									

cage code 22526

ACAD

PDM: Rev:J

STATUS: Released

Printed: May 27, 2016