



C2580NL

- TRANSFORMER
- 1:1, 1–100 MHz
- IMPEDANCE = 75 OHMS
- SURFACE MOUNT

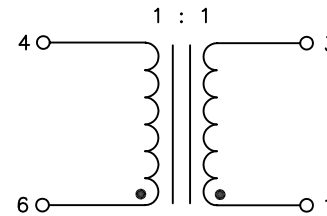
ELECTRICAL SPECIFICATIONS: @ 25°C

INSERTION LOSS:

| FREQUENCY | ATTENUATION(S21) |
|-----------|------------------|
| 1 MHz | -1.0 dB MAX |
| 10 MHz | -1.0 dB MAX |
| 30 MHz | -1.0 dB MAX |
| 60 MHz | -1.0 dB MAX |
| 70 MHz | -1.0 dB MAX |
| 100 MHz | -1.0 dB MAX |

NOTES: UNLESS OTHERWISE SPECIFIED

1. OPERATING TEMPERATURE: 0°C TO +70°C
2. STORAGE TEMPERATURE: -20°C TO +125°C
3. COMPLIANCE TO J-STD:
 - J-STD-002: SOLDERABILITY AT REFLOW PEAK TEMPERATURE OF 245°C
 - J-STD-020: MSL 1, NO MOISTURE SENSITIVE
 - J-STD-075: R6, 250°C MAXIMUM THROUGH REFLOW SOLDER
4. DIMENSIONS ARE IN MM [INCHES].
 - TOLERANCE:
 - .X = ±0.25 [±.010]
 - .XX = ±0.13 [±.005]
5. OPTIONAL TAPE & REEL PACKAGING CAN BE ORDERED BY ADDING A "T" SUFFIX TO THE PART NUMBER. ie: C2580NLT



SCHEMATIC

© Copyright, 2014. Pulse Electronics Corp. All rights reserved. Pulse confidential & proprietary. (04/14/2014)

PRODUCT DESCRIPTION:

XFMR, RF, SGL, 1:1, 1–100MHz, SMT

SHEET:

1 OF 2

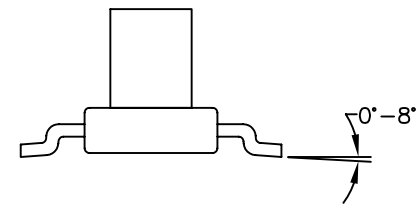
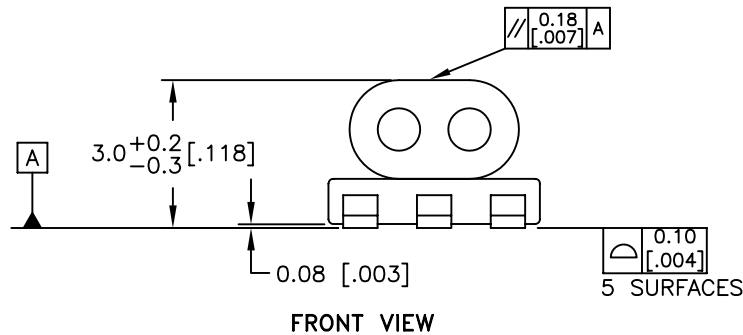
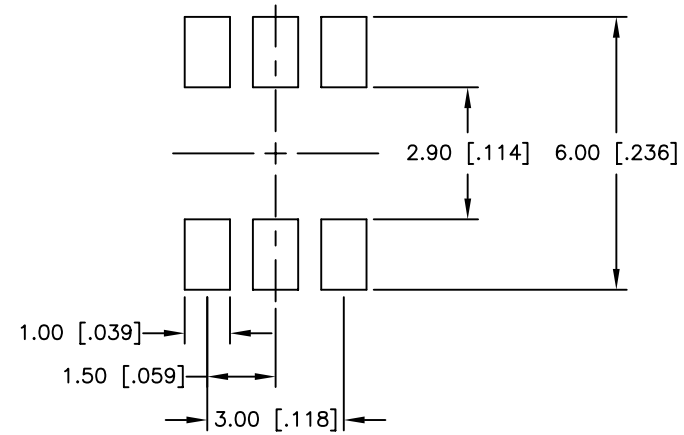
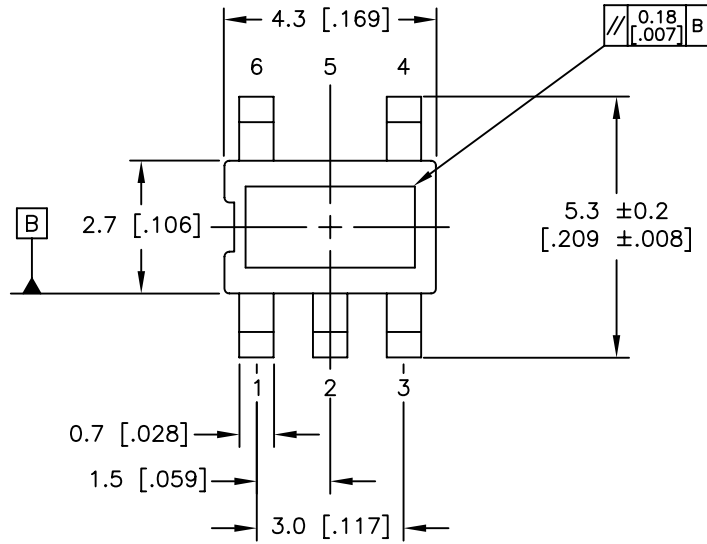
PART NO.

C2580NL

DATASHEET REV.

M10

MECHANICAL SPECIFICATIONS:



© Copyright, 2014. Pulse Electronics Corp. All rights reserved. Pulse confidential & proprietary. (04/14/2014)

| | | | | |
|-----------------------------------|--|--------|----------|----------------|
| PRODUCT DESCRIPTION: | | SHEET: | PART NO. | DATASHEET REV. |
| XFMR, RF, SGL, 1:1, 1-100MHz, SMT | | 2 OF 2 | C2580NL | M10 |