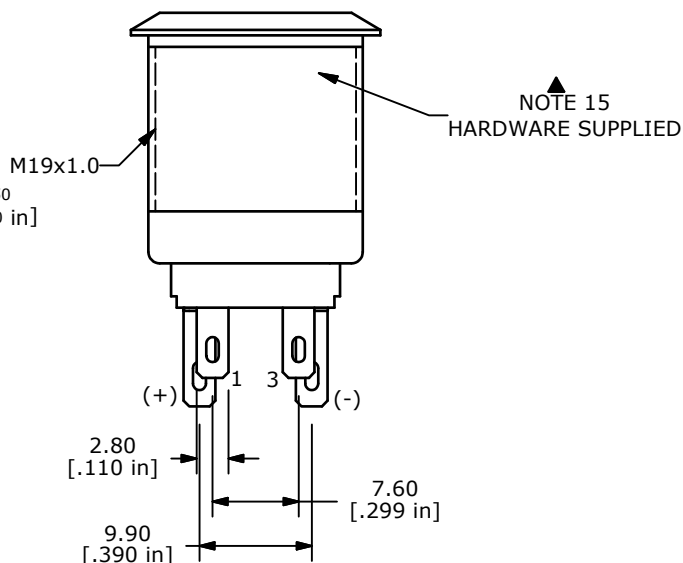
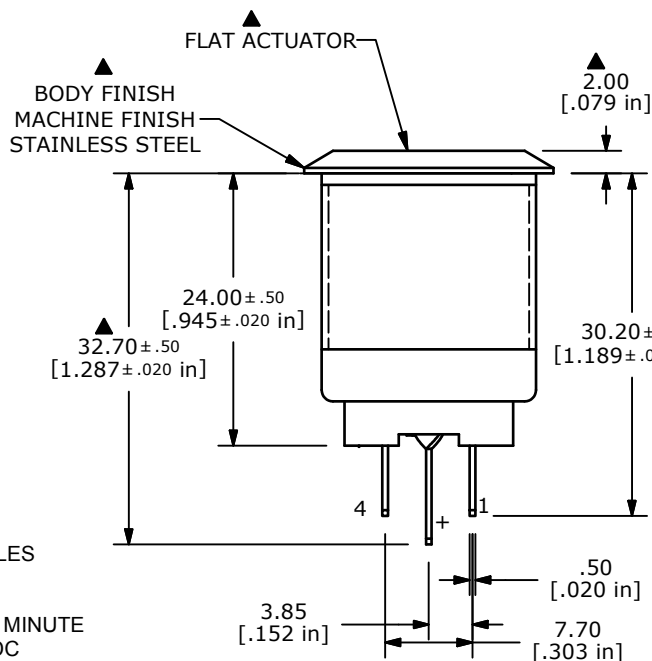
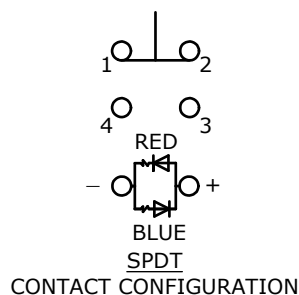
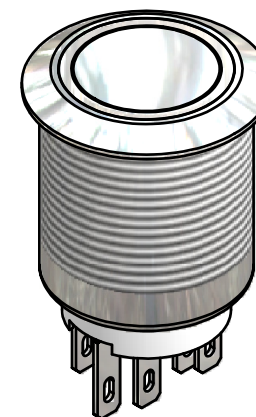
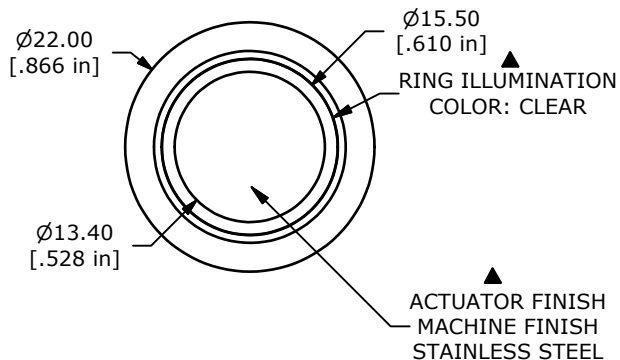


SWITCH FUNCTION	
POS. 1	POS. 2
ON	(ON)
1-2	3-4

(ON) = MOMENTARY



- NOTE:
1. ALL DIMENSIONS IN MM [INCH]
 2. GENERAL TOLERANCE: X.X=±0.4
X.XX=±0.25
 3. TERMINAL NUMBERS FOR REF ONLY
 - ▲ 4. CONTACT MATERIAL: SILVER
 5. RATING: 2A 48VDC
 6. ELECTRIC LIFE: 50,000 MAKE-AND-BREAK CYCLES AT FULL LOAD.
 7. INSULATION RESISTANCE: 1,000 MΩ MIN.
 8. DIELECTRIC STRENGTH: 2,000 VAC MIN. FOR 1 MINUTE
 9. CONTACT RESISTANCE: 50mΩ MAX. @ 1A 12VDC
 10. OPERATING TEMP.: -20°C to 55°C
 - ▲ 11. TRAVEL: 2.8mm
 12. ▲ DENOTES CRITICAL PARAMETER.
 - ▲ 13. LAMP VOLTAGE: 12V
 14. INGRESS PROTECTION: IP65
 15. HARDWARE SUPPLIED: O-RING AND HEXNUT
 16. ILLUMINATION COLOR: RED (FORWARD) / BLUE (REVERSE)
 17. 2002/95/EC (ROHS) COMPLIANT.



TITLE PV4F2Y0SS-3H4				
SCALE 1.5:1	DATE 2/7/2012	DR BGL	DWG 52-PV4F2Y0SS3H4	REV A

A	20462	RELEASE FOR PRODUCTION	2/7/12	BGL
REV	PCR NO	DESCRIPTION	DATE	BY
THE INFORMATION CONTAINED IN THIS DOCUMENT IS PROPRIETARY TO E-SWITCH AND IS NOT TO BE COPIED OR TRANSFERRED				