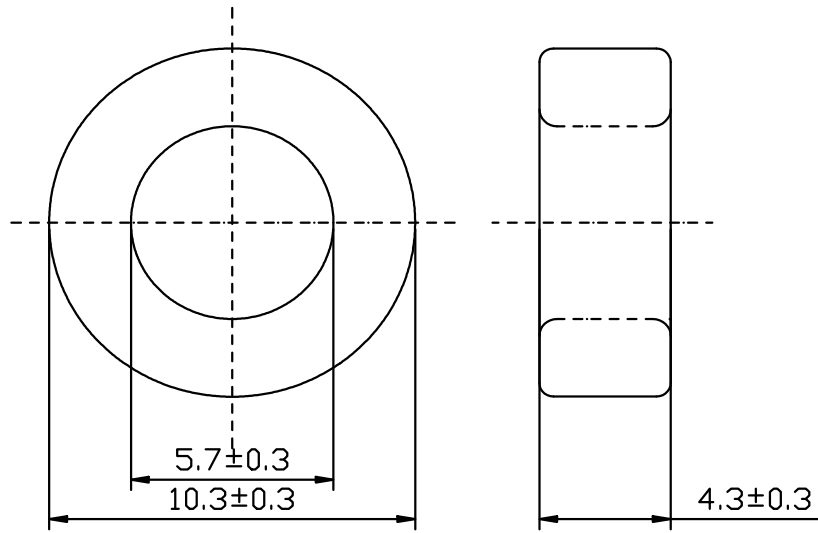


# Product Drawing and Specification



Dimensions According To: IEC 205

$\Sigma 1/A : 3.07\text{mm}^{-1}$	$\Sigma 1/A^2 : 0.39\text{mm}^{-3}$	$A_e : 7.8\text{mm}^2$	$V_e : 188\text{mm}^3$	$L_e : 24.1\text{mm}$
Weight ~ 0.95g/pcs				

## Electrical Specifications

Property	Specification	Unit	Test Conditions			
			Frequency	Induction	Temperature	Equipment <sup>(1)</sup>
			(kHz)	(mT)	(°C)	
$A_L$	$52_{\pm 25\%}$	nH/N <sup>2</sup>	10	$\leq 0.1$	$25_{\pm 3}$	HP-4284A
$\text{tg } \delta / u_i$	$\leq 130 \times 10^{-6}$	---	$10^4$			HP-4285A



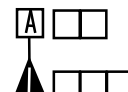
(1): Or similar

## OTHER SPECIFICATIONS

VISUAL REQUIREMENTS according to: GUV-4-0-0/1

High voltage insulation  $\geq 1$  kV

Maximum working temperature 160°C / Temperatura maxima de trabalho 160°C

ROUGHNESS	UNIT	SCALE	PROJ EUROP	UN-D 28	TOLERANCES: UNLESS OTHERWISE STATED	UN-D 603
	mm	2:1		 Ra in mikron(μm)	DIMENSION: $\pm 3\%$ ACC: TO DIN 406 TEIL 4	
4C65: MA01			<b>CORE- FAMILY</b> <b>TX10/6/4-4C65</b>  Toroid coated with epoxy			1   2005/3/11
6TG : 531530						
2005/3/11						
- -						
Name: Hongmei He	Check:	Approve:	110 - 02	010		A 4
TR	Date: 2005/3/11	Property of Ferroxcube Dongguan Ltd.-China				