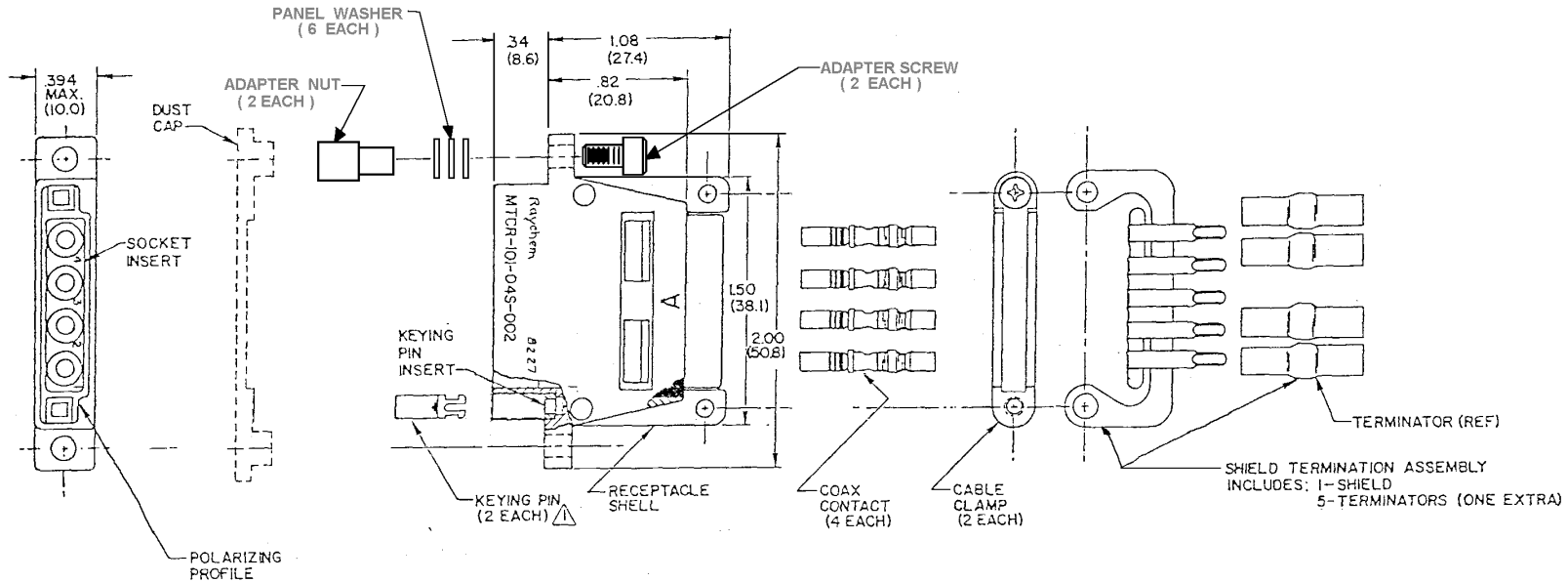


| REVISIONS | | DATE | APPROVED |
|-----------|-------------------------|------|----------|
| LTR | DESCRIPTION | | |
| C | REVISED PER ECN T-19630 | | |



NOTES:

1. KEYING CODE DOES NOT FORM A PART OF RAYCHEM PART NUMBER SYSTEM AND SHOULD BE OMITTED WHEN ORDERING. KEYING PINS SUPPLIED UN-INSTALLED. SEE TABLE I FOR KEYING POSITIONS.
2. COMPLETE CONNECTORS AND ACCESSORIES ARE INDIVIDUALLY BAGGED AND LABELED.
3. CONNECTOR IS ENVIRONMENTAL SEALED MEETING THE REQUIREMENTS OF CONNECTOR SPECIFICATION D-6015.
4. REAR GROMMET INSERT WILL SEAL ON SMOOTH INSULATION FROM .097" TO .158" O.D.
5. CONNECTOR DESIGNED FOR USE WITH RAYCHEM CABLE 7528A5314. TERMINATE PER ES. 61181.
6. INSERTS ARE PERMANENTLY INSTALLED.
7. ALL UNUSED CAVITIES TO BE SEALED USING SEALING PLUG NUMBER M83723-28-12.
8. ALL CONTACTS ARE INSERTED AND REMOVED USING TOOL NUMBER M83723-31-12.
9. CONNECTOR MATING REQUIREMENTS: 9 in.lbs. TORQUE FOR CAPTIVE LOCKING SCREWS.
10. TOLERANCES, UNLESS OTHERWISE SPECIFIED; .XXX = ±.005 (0.1)
.XX = ±.02 (0.5)

**TABLE I
KEYING CODE CHART**

| | | | |
|----|--|----|--|
| AA | | CA | |
| AB | | CB | |
| AC | | CC | |
| AD | | CD | |
| BA | | DA | |
| BB | | DB | |
| BC | | DC | |
| BD | | DD | |

SPECIFICATION CONTROL DRAWING © Raychem Corporation 1982

| | | | | | | |
|--|--------|--------|---|-----------------|------------------|--------------|
| DRAWN | PIERCE | 7-2-82 | Raychem RAYCHEM CORPORATION 300 CONSTITUTION DRIVE MENLO PARK, CALIFORNIA 94025 | | | |
| CHECKED | | | | | | |
| APPROVED | | 7-7-82 | TITLE CONNECTOR, RECEPTACLE SOCKET INSERT, MTCR TYPE WITH BUS AND SPECIAL CLAMP FOR USE WITH TRIAX CABLE | | | |
| APPROVED | | | | | | |
| UNLESS OTHERWISE SPECIFIED DIMENSIONS ARE IN INCHES. METRIC DIMENSIONS ARE IN PARENTHESES | | | SIZE | CODE IDENT. NO. | DWG. NO. | |
| | | | C | 06090 | MTCR-101-04S-002 | |
| DO NOT SCALE THIS DRAWING | | | CAD NAME | 008141-1.PCX | WEIGHT | SHEET 1 OF 1 |

If this document is printed it becomes uncontrolled.
Check with the web for latest revision.