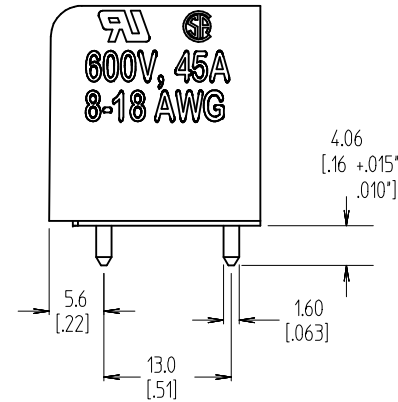
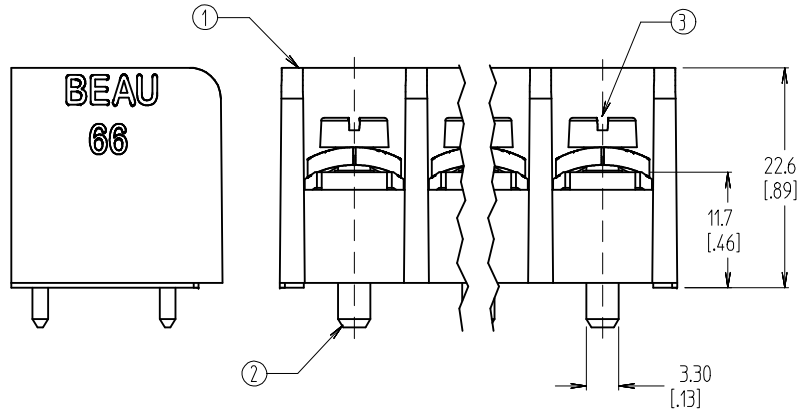


6 CIRCUIT SHOWN ACTUAL SIZE

MATERIAL NUMBER (STD PART)	NUMBER OF CIRCUITS "XX"	A	B
38660-8802	2	27.9 [1.10]	12.70 [0.500]
38660-8803	3	40.6 [1.60]	25.40 [1.000]
38660-8804	4	53.3 [2.10]	38.10 [1.500]
38660-8805	5	66.0 [2.60]	50.80 [2.000]
38660-8806	6	78.7 [3.10]	63.50 [2.500]
38660-8807	7	91.4 [3.60]	76.20 [3.000]
38660-8808	8	104.1 [4.10]	88.90 [3.500]
38660-8809	9	116.8 [4.60]	101.60 [4.000]
38660-8810	10	129.5 [5.10]	114.30 [4.500]
38660-8811	11	142.2 [5.60]	127.00 [5.000]
38660-8812	12	154.9 [6.10]	139.70 [5.500]
38660-8813	13	167.6 [6.60]	152.40 [6.000]
38660-8814	14	180.3 [7.10]	165.10 [6.500]
38660-8815	15	193.0 [7.60]	177.80 [7.000]



- NOTES:
1. MATERIAL: SEE TABLE
  2. FINISHES: SEE TABLE
  3. "XX" - REFERS TO THE NUMBER OF CIRCUIT POSITIONS.
  4. INCH DIMENSIONS ARE SHOWN IN BRACKETS [XXX].
  5. ASSEMBLY IS ROHS COMPLIANT.

ITEM	QTY	DESCRIPTION	MATERIAL	FINISH
3	XX	SCREW	STEEL	ZN/YELLOW CHROMATE
2	XX	TERMINAL	RED BRASS	TIN OVER COPPER
1	1	INSULATOR	POLYESTER (PBT)	BLACK

INITIAL RELEASE EC NO: WNAZ009-0043 DRAWN BY: C. YORK 2008/09/22 CHKD: RDEROSS 2008/09/22 APPR: RDEROSS 2008/09/23	QUALITY SYMBOLS ▽=0 ▽=0	GENERAL TOLERANCES (UNLESS SPECIFIED)		DIMENSION STYLE MM/IN		SCALE 1:1	DESIGN UNITS INCH	THIRD ANGLE PROJECTION			
		4 PLACES ± --- ± --- 3 PLACES ± --- ± .005 2 PLACES ± 0.13 ± .01 1 PLACE ± 0.3 ± ---	mm INCH	DRAWN BY C. YORK	DATE 2008/09/08	TITLE SR BTS, 12.70/500 PITCH PC, NO MTG ASSY, ROHS COMPLIANT					
		ANGULAR ± 2 °		CHECKED BY R. DEROSS	DATE 2008/09/08	APPROVED BY R. DEROSS 2008/09/08					
		DRAFT WHERE APPLICABLE MUST REMAIN WITHIN DIMENSIONS		MATERIAL NO. SEE CHART		DOCUMENT NO. SD-38660-003		MOLEX INCORPORATED			
SIZE B		THIS DRAWING CONTAINS INFORMATION THAT IS PROPRIETARY TO MOLEX INCORPORATED AND SHOULD NOT BE USED WITHOUT WRITTEN PERMISSION									