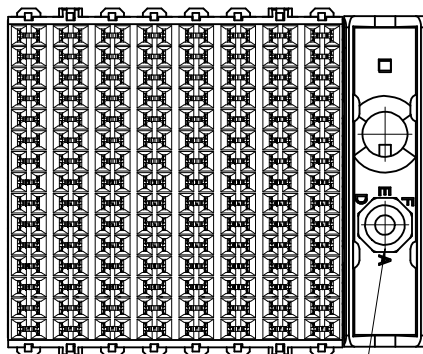
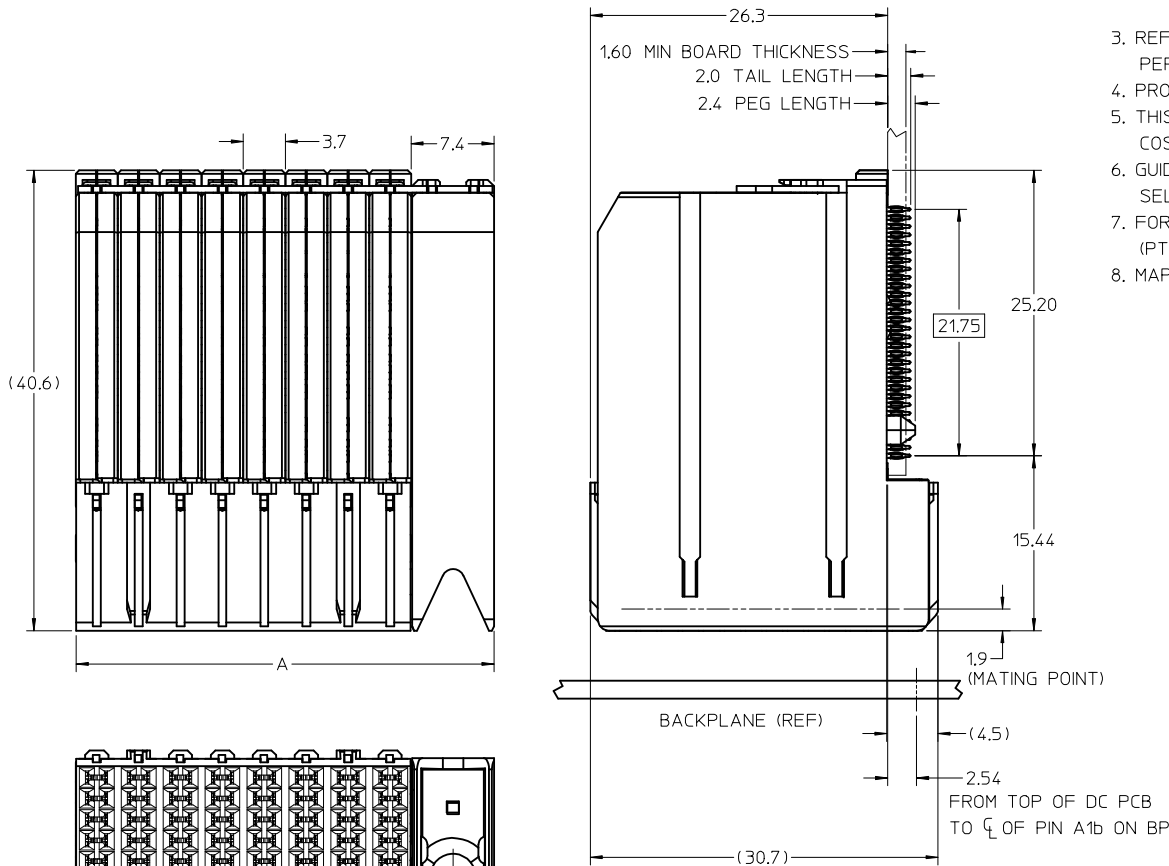
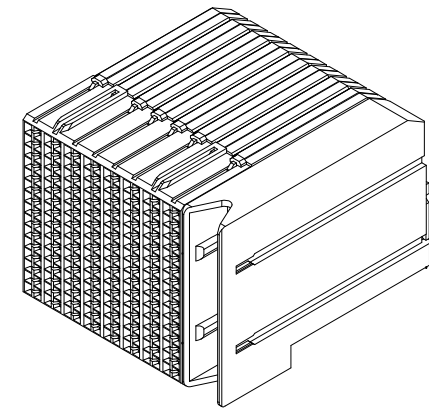


NOTES:

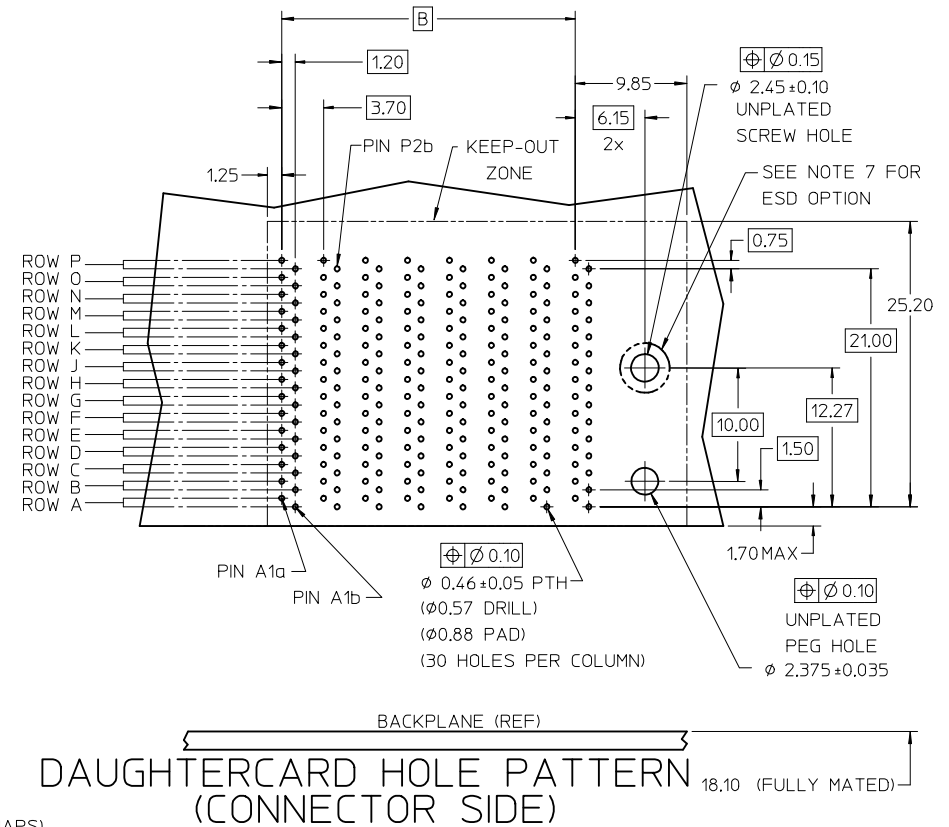
1. MATERIALS: HOUSING - LIQUID CRYSTAL POLYMER (LCP) GLASS-FILLED, UL 94V-0
TERMINALS - HIGH PERFORMANCE COPPER ALLOY
2. FINISH: 10µIN MIN. GOLD (MAPS), OR 30µIN MIN. GOLD IN CONTACT AREA
SELECTIVE MATTE TIN ON PCB TAILS,
NICKEL OVERALL.
3. REFER TO MOLEX PRODUCT SPEC PS-75710-999 FOR PERFORMANCE SPECIFICATIONS.
4. PRODUCT IS PACKAGED PER PK-70873-608.
5. THIS PART CONFORMS TO CLASS B REQUIREMENTS OF COSMETIC SPEC PS-45499-002.
6. GUIDED PARTS TO BE SHIPPED WITH 2-32 TYPE AB SELF-TAPPING SCREW P/N 73726-0000.
7. FOR GROUNDED GUIDE MODULES USE DIA 2.45+/-0.10 (PTH), DIA 2.58 (DRILL), AND DIA 4.50 (PAD).
8. MAPS (MOLEX ADVANCED PLATING SYSTEM).



KEY SHOWN IN POSITION "NONE"

LEAD FREE CONVERSION EC NO: UCP2013-4288 DRAWN: RMH/PPLE 2013/04/16 CHKD: MM/LFE 2013/04/16 APPR: SM/LLER 2013/08/26	QUALITY SYMBOLS ▽=0 ▽=0 ▽=0	GENERAL TOLERANCES (UNLESS SPECIFIED)		DIMENSION STYLE MM ONLY	SCALE 3:1	DESIGN UNITS METRIC	THIRD ANGLE PROJECTION
		mm	INCH	DRAWN BY MCARRANZA	DATE 3/20/06	TITLE I-TRAC DAUGHTERCARD 15 ROW GUIDE RIGHT SIGNAL MODULE	
		4 PLACES ± ---	± ---	CHECKED BY JLAURX	DATE 3/21/06	molex	
		3 PLACES ± ---	± ---	APPROVED BY JLAURX	DATE 3/21/06	DOCUMENT NO. SD-76040-004	SHEET NO. 1 OF 2
		2 PLACES ± 0.13	± ---	THIS DRAWING CONTAINS INFORMATION THAT IS PROPRIETARY TO MOLEX. INCORPORATED AND SHOULD NOT BE USED WITHOUT WRITTEN PERMISSION			
		1 PLACE ± 0.25	± ---				
		0 PLACE ±	±				
		ANGULAR ±1/2°					
		DRAFT WHERE APPLICABLE MUST REMAIN WITHIN DIMENSIONS					

MATERIAL NUMBER	# OF COLUMNS	DIM. "A" MAX	DIM. "B"
76040-***8	8	37.00	25.90
76040-***9	9	40.70	29.60
76040-***0	10	44.40	33.30



76040-***

MODULE TYPE -- TAIL PLATING TYPE _____ # OF COLUMNS
 GUIDE RIGHT -- MATTE TIN (FORMERLY TIN/LEAD) = 4
 GUIDE RIGHT -- MATTE TIN = 5

POLARIZATION KEY ORIENTATION _____

0 = NO KEY
 1 = A 5 = E
 2 = B 6 = F
 3 = C 7 = G
 4 = D 8 = H

08 = 8 COL 30 GOLD
 09 = 9 COL 30 GOLD
 10 = 10 COL 30 GOLD
 58 = 8 COL W/ESD CLIP 30 GOLD
 59 = 9 COL W/ESD CLIP 30 GOLD
 50 = 10 COL W/ESD CLIP 30 GOLD
 48 = 8 COL 10 GOLD (MAPS)
 49 = 9 COL 10 GOLD (MAPS)
 40 = 10 COL 10 GOLD (MAPS)
 78 = 8 COL W/ESD CLIP 10 GOLD (MAPS)
 79 = 9 COL W/ESD CLIP 10 GOLD (MAPS)
 70 = 10 COL W/ESD CLIP 10 GOLD (MAPS)

REV	DESCRIPTION	QUALITY SYMBOLS	GENERAL TOLERANCES (UNLESS SPECIFIED)		DIMENSION STYLE		SCALE	DESIGN UNITS	THIRD ANGLE PROJECTION	
			mm	INCH	MM ONLY	DATE	TITLE	METRIC		
1	SEE SHEET 1		4 PLACES	± ---	± ---	DRAWN BY	2:1	I-TRAC DAUGHTERCARD 15 ROW GUIDE RIGHT SIGNAL MODULE		
2	EC NO: UCP2013-4288		3 PLACES	± ---	± ---	DATE				
3	DRWNR:WHIPPLE 2013/04/16		2 PLACES	± 0.13	± ---	MCARRANZA	3/20/06			
4	CHKD:HWOLFE 2013/04/16		1 PLACE	± 0.25	± ---	CHECKED BY	DATE			
5	APPR:SMILLER 2013/08/26		0 PLACE	±	±	JLAURX	3/21/06			
			ANGULAR ±1/2°		MATERIAL NO.	DOCUMENT NO.		SHEET NO.		
			DRAFT WHERE APPLICABLE MUST REMAIN WITHIN DIMENSIONS		SEE CHART		SD-76040-004		2 OF 2	
THIS DRAWING CONTAINS INFORMATION THAT IS PROPRIETARY TO MOLEX INCORPORATED AND SHOULD NOT BE USED WITHOUT WRITTEN PERMISSION										