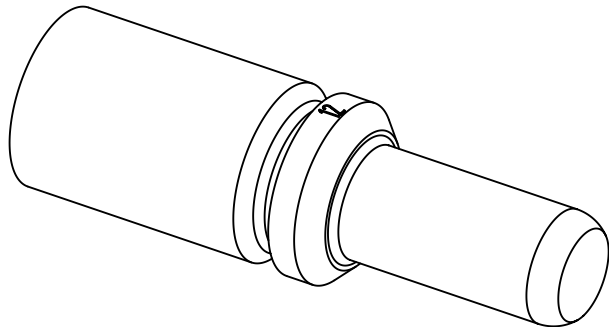


assembly notes see catalog
 crimp zone acc. to DIN EN 46235; indicator 12
 for stranded fine wire acc. to VDE 0295 class5/ IEC 60228 class 5
 wire gauge: 35 mm²
 stripping length: 16 mm



 All Dimensions in mm Original Size DIN A4		Scale 2:1	Free size tol.		Ref.
 All rights reserved Department EL PD - DE		Created by HOLLERT	Inspected by TIEMANNA	Standardisation RUETERA	Date 2017-07-19
HARTING Electric GmbH & Co. KG D-32339 Espelkamp		Title Han TC100 Stiftkontakt 35 mm ²			State Final Release
		Type TB	Number 09 11 000 6135		Doc-Key / ECM-Nr. 100132427/UGD/007/C 500000122510
				Rev. C	Page 1/1