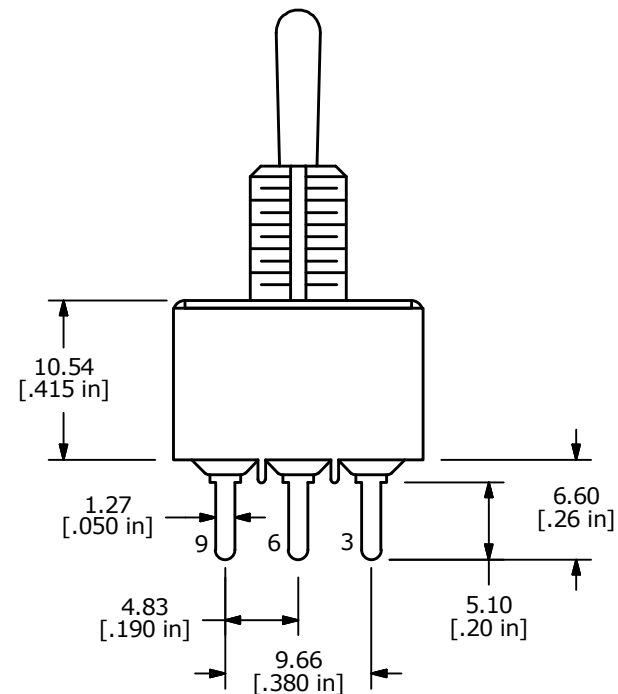
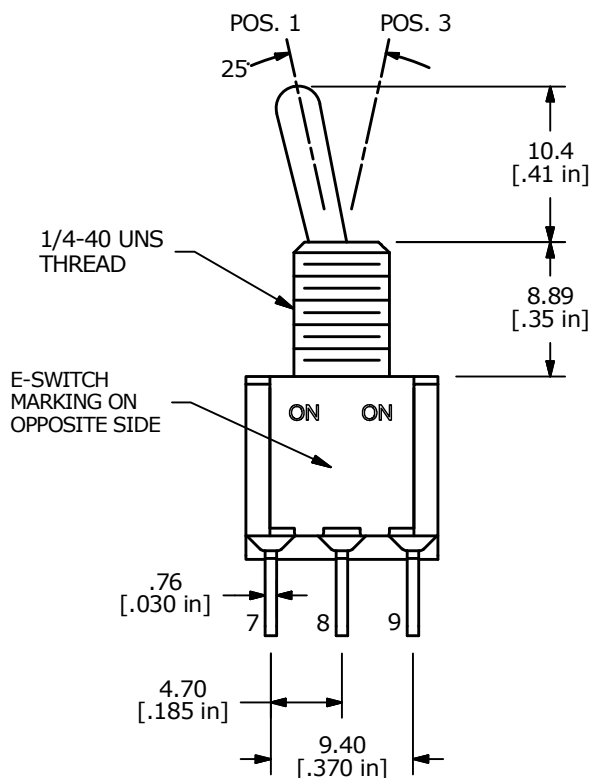
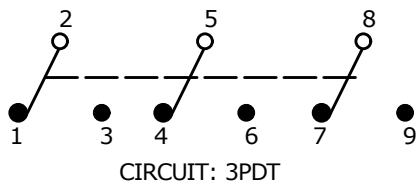


▲ SWITCH FUNCTION		
POS. 1	POS. 2	POS. 3
ON	NONE	ON
2-3, 5-6, 8-9	N/A	2-1, 5-4, 8-7



NOTE:

1. ALL DIMENSIONS IN MM [INCH]
2. GENERAL TOLERANCE: X.X = ±0.4
X.XX = ±0.25
3. TERMINAL NUMBERS FOR REF ONLY
- ▲ 4. CONTACT MATERIAL: SILVER
5. RATING: RATING: 5A @ 120VAC OR 28VDC
2A @250VAC
6. ELECTRIC LIFE: 40,000 make-and-break cycles.
7. INSULATION RESISTANCE: 1,000 Mega-ohm min.
8. DIELECTRIC STRENGTH: 1,000 V RMS @ sea level
9. OPERATING TEMP.: -30°C to 85°C
10. ▲ DENOTES CRITICAL PARAMETER.
11. 2011/65/EU (ROHS) COMPLIANT

D	23008	update drawing	9/19/17	MW
C	17076	FIXED TERM. NUMBERS	3/8/07	TN
B	16808	REVISED AND REDRAWN	12/28/06	TN
REV	PCR NO	DESCRIPTION	DATE	BY



TITLE 1003P1T1B1M2QE				
SCALE	DATE	DR	DWG	REV
2:1	3/8/2007	TN	T131017	D

THE INFORMATION CONTAINED IN THIS DOCUMENT IS PROPRIETARY TO E-SWITCH AND IS NOT TO BE COPIED OR TRANSFERRED