

THIS DRAWING IS UNPUBLISHED.

RELEASED FOR PUBLICATION

ALL RIGHTS RESERVED.

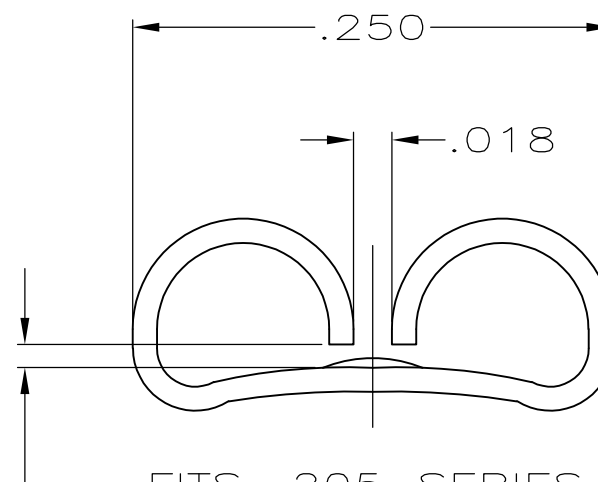
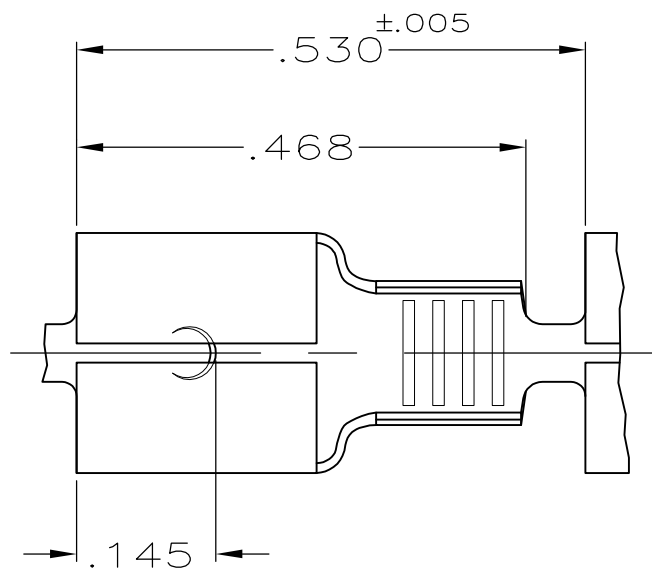
© COPYRIGHT - By -

LOC AF DIST 50

REVISIONS

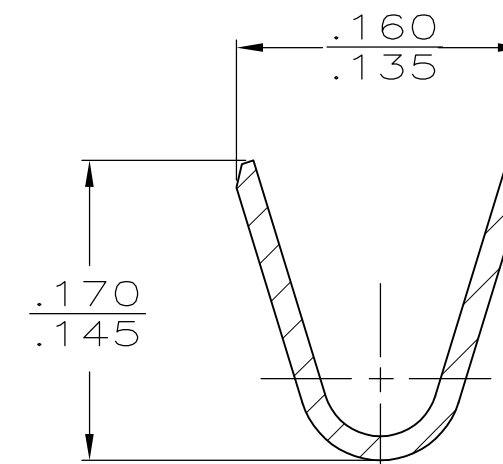
P	LTR	DESCRIPTION	DATE	DWN	APVD
	M	REVISED PER ECR-12-013445	09NOV12	KH	PD

1 CONTINUOUS STRIP ON REELS

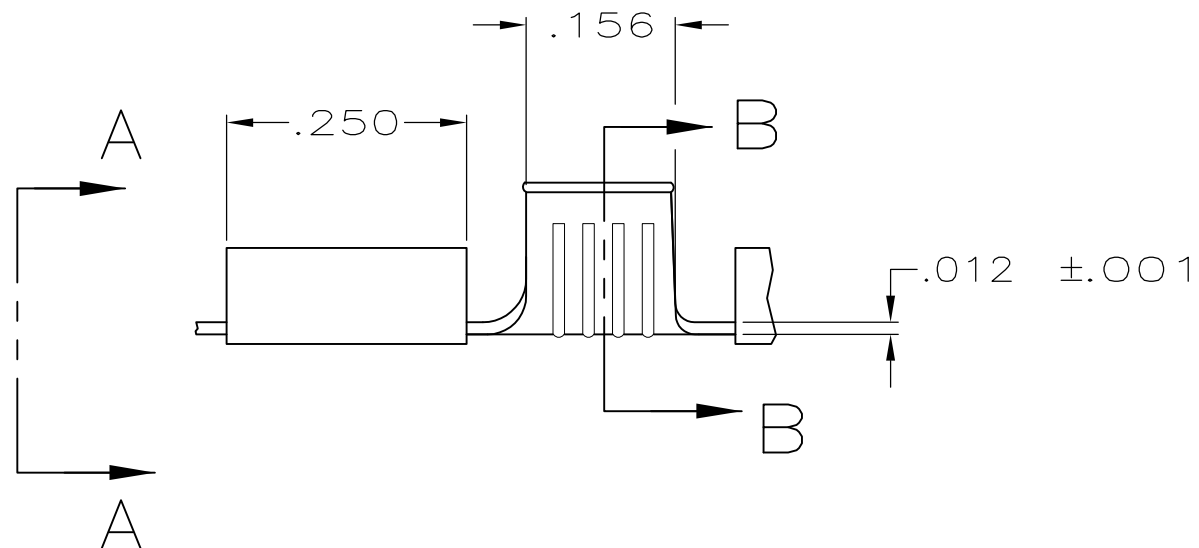


FITS .205 SERIES FASTON TAB

VIEW A-A
SCALE 10:1



SECTION B-B
SCALE 10:1



OBSOLETE

TIN

18-14

.020

42712-2

~~42712-1~~

FINISH

WIRE SIZE

MATING TAB THK #.001

PART NUMBER

THIS DRAWING IS A CONTROLLED DOCUMENT.

DWN JR RUTH 5/8/90

CHK MS FEHER 5/8/90

APVD C MEYERS 5/9/90

PRODUCT SPEC

APPLICATION SPEC

WEIGHT -

STE TE Connectivity

RECEPTACLE, FASTON, .205 SERIES

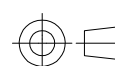
SIZE CAGE CODE DRAWING NO RESTRICTED TO

A3 00779 C-42712 -

CUSTOMER DRAWING SCALE 5:1 SHEET 1 OF 1 REV M

DIMENSIONS:
INCHES

TOLERANCES UNLESS OTHERWISE SPECIFIED:



0 PLC	± -
1 PLC	± -
2 PLC	± -
3 PLC	± .015
4 PLC	± -
ANGLES	± -

MATERIAL FINISH
BRASS SEE TABLE