

70067-0772 TUBE PACKAGING MATRIX

TUBE LENGTH 22.05" - TUBE PAYLOAD LENGTH - 21.45"

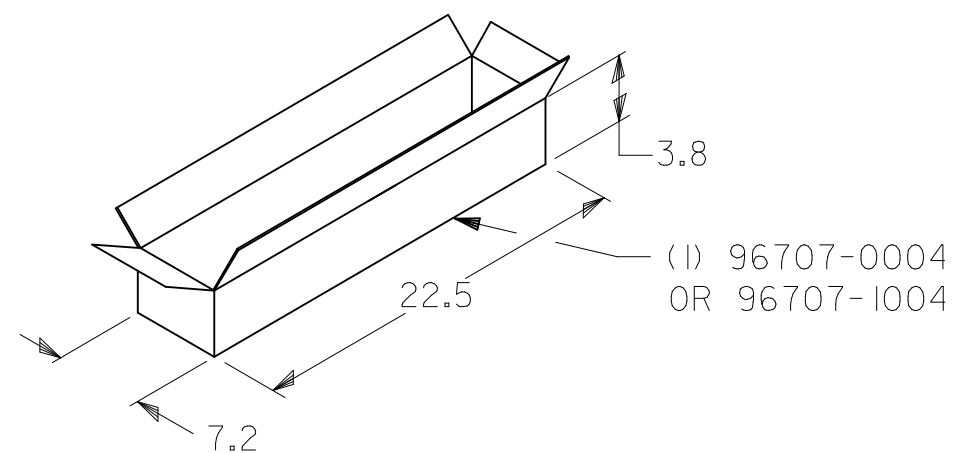
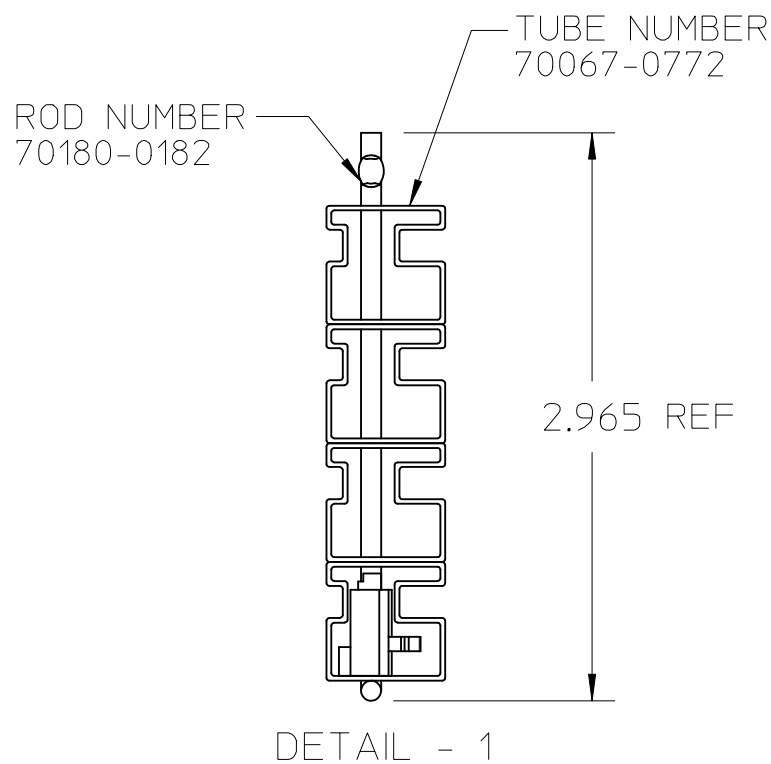
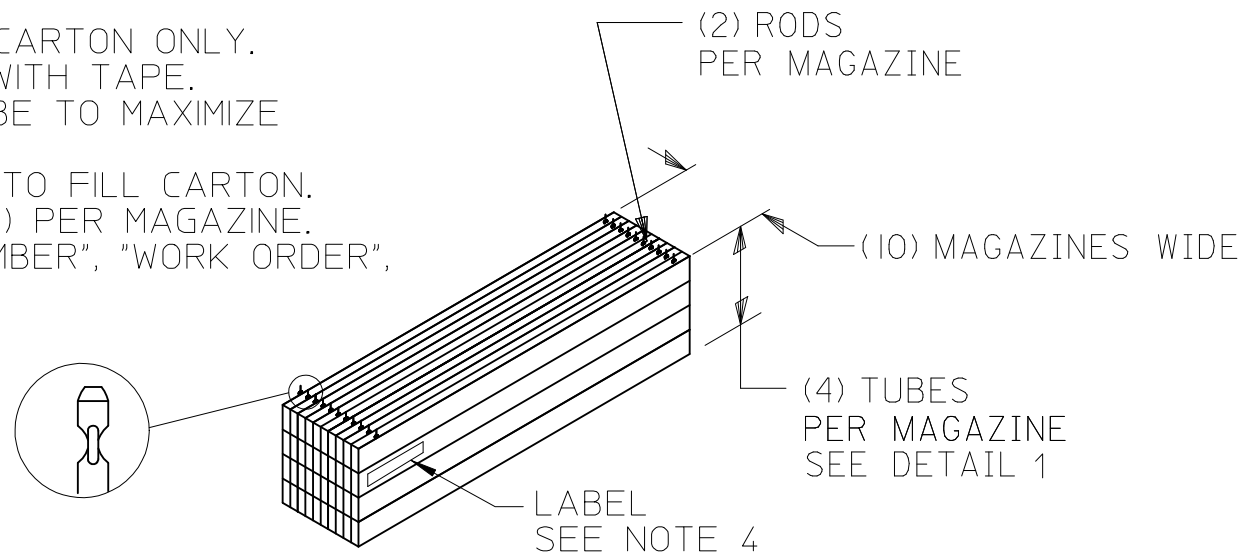
ASSEMBLIES WITHOUT PCB MOUNTING PEGS

ASSEMBLIES WITH PCB MOUNTING PEGS

CKT. SIZE	PARTS PER TUBE	PARTS PER MAGAZINE	PARTS PER CARTON (SPO)	CKT. SIZE	PARTS PER TUBE	PARTS PER MAGAZINE	PARTS PER CARTON (SPO)
2	72	288	2880	2	61	244	2440
3	52	208	2080	3	46	184	1840
4	42	168	1680	4	38	152	1520
5	35	140	1400	5	32	128	1280
6	30	120	1200	6	28	112	1120
7	26	104	1040	7	24	96	960
8	23	92	920	8	22	88	880
9	21	84	840	9	20	80	800
10	19	76	760	10	18	72	720
11	17	68	680	11	17	68	680
12	16	64	640	12	15	60	600
13	15	60	600	13	14	56	560
14	14	56	560	14	13	52	520
15	13	52	520	15	12	48	480
16	12	48	480	16	12	48	480
17	11	44	440	17	11	44	440
18	11	44	440	18	10	40	400
19	10	40	400	19	10	40	400
20	10	40	400	20	9	36	360
21	9	36	360	21	9	36	360
22	9	36	360	22	9	36	360
23	8	32	320	23	8	32	320
24	8	32	320	24	8	32	320
25	8	32	320	25	8	32	320

NOTES:

1. STAPLES MAY BE USED TO SET UP CARTON ONLY. CARTON CLOSURES MUST BE DONE WITH TAPE.
2. ORIENT ROD END PARRALLEL TO TUBE TO MAXIMIZE TUBE QTYS IN BOX
3. IF NECESSARY, ADD FOAM SHEET(S) TO FILL CARTON.
4. PLACE ONE TUBE LABEL (85-15-0003) PER MAGAZINE. TUBE LABEL TO CONTAIN "PART NUMBER", "WORK ORDER", AND "BOX NUMBER"



ADD LABEL EC NO: UCP2010-2427 DRWN:MSIBARRA 2010/03/22 CHKD:DMORGAN 2010/03/22 APPR:SMILLER 2010/03/31	DESCRIPTION QUALITY SYMBOLS $\nabla_A = 0$ $\nabla_F = 0$ $\nabla_{F'} = 0$	GENERAL TOLERANCES (UNLESS SPECIFIED)		DIMENSION STYLE INCH ONLY		SCALE	DESIGN UNITS INCH	THIRD ANGLE PROJECTION		
			mm	INCH	DRAWN BY	DATE	TITLE PK FOR TUBE 7057* SERIES			
		4 PLACES	± ---	± ---	T0	1986/04/14				
		3 PLACES	± ---	± ---	CHECKED BY	DATE				
		2 PLACES	± ---	± ---	T0	1986/04/14				
1 PLACE	± ---	± ---	APPROVED BY	DATE	MOLEX INCORPORATED					
	ANGULAR ±1/2°		SMILLER	2010/03/31						
DRAFT WHERE APPLICABLE MUST REMAIN WITHIN DIMENSIONS		MATERIAL NO. 085-22-0015		DOCUMENT NO. PK-70873-0015		SHEET NO. 1 OF 1				
		SIZE B		THIS DRAWING CONTAINS INFORMATION THAT IS PROPRIETARY TO MOLEX INCORPORATED AND SHOULD NOT BE USED WITHOUT WRITTEN PERMISSION						