

DETAILS

Product Number	FCN13569_ANGELA-M
Family	ANGELA
Type	RefPack
Color	metal
Diameter	119,5 mm
Height	80,2 mm
Style	round
Optic Material	
Holder Material	
Fastening	screw
Status	production ready
ROHS Compliant	Yes
Date Updated	3/11/2016

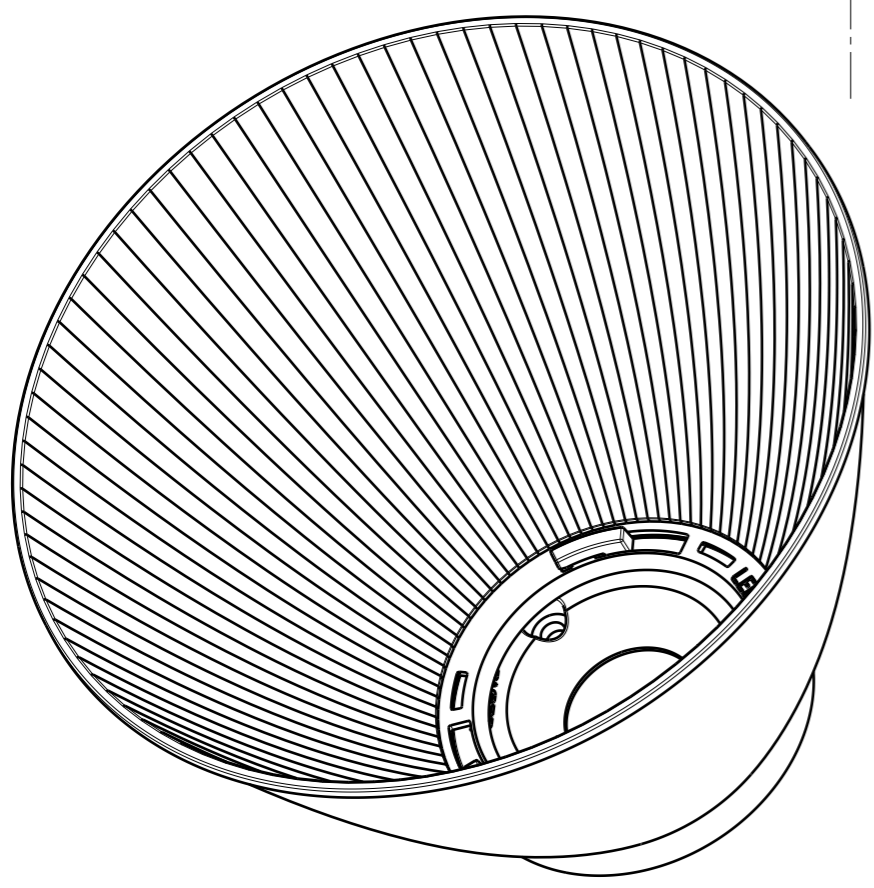
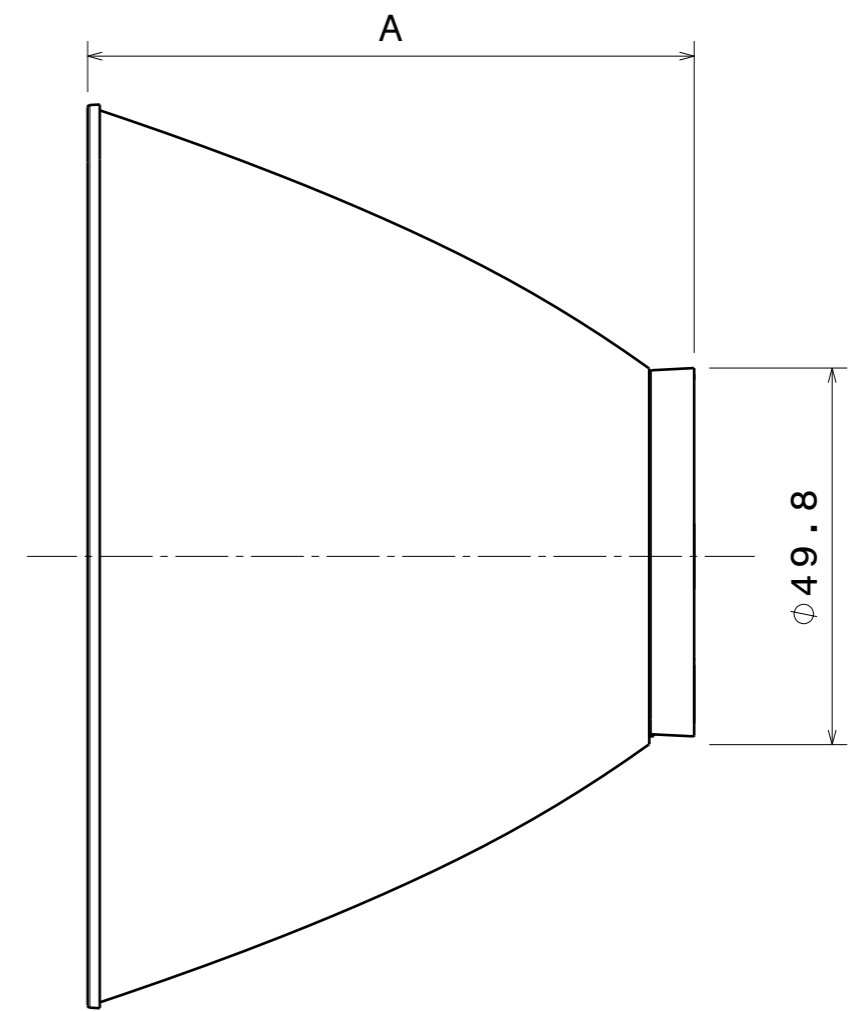
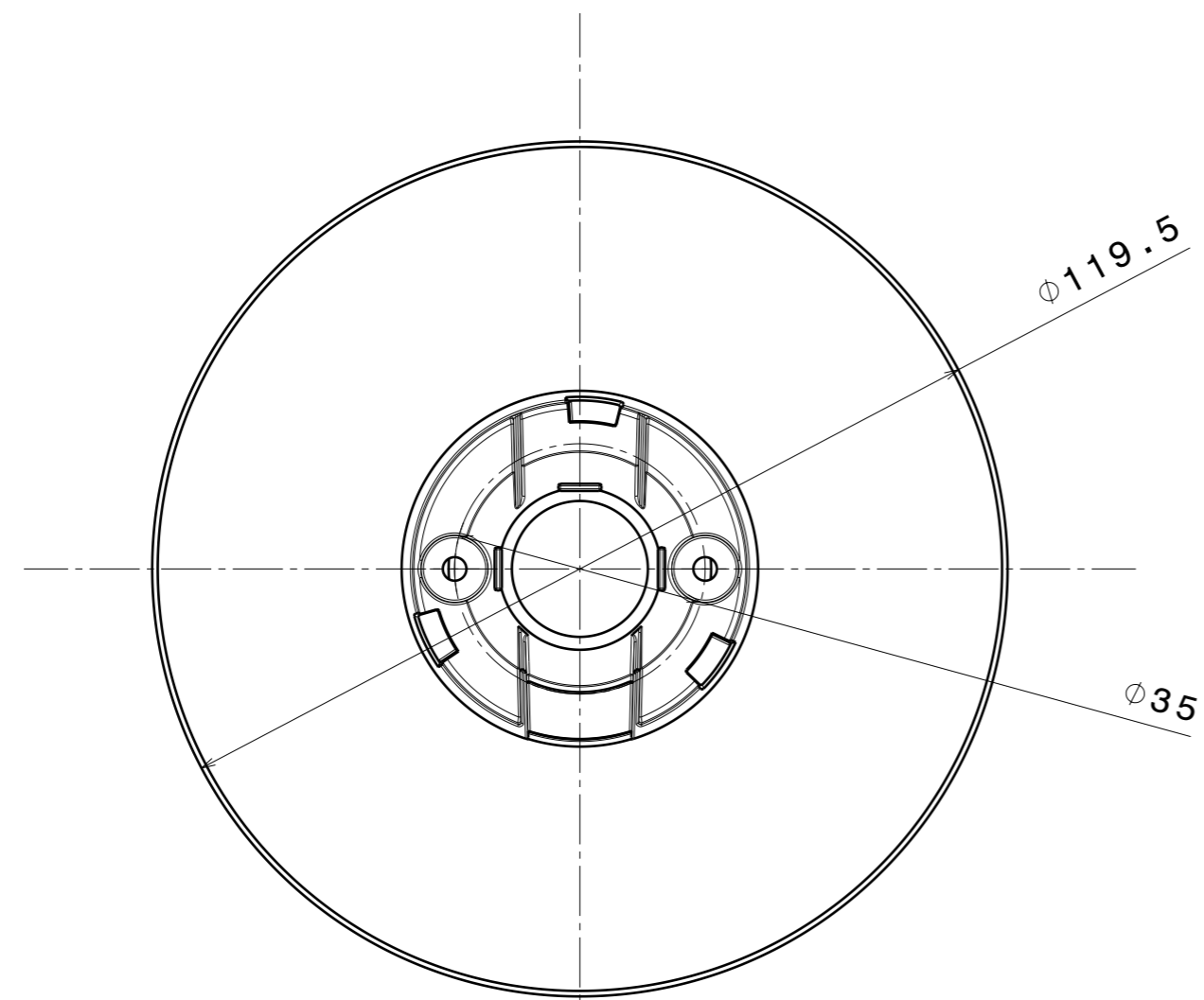
OPTICAL PROPERTIES

LED	Viewing Angle	Light Beam	Effi- ciency	cd/lm	Connector
LUXEON S3000	16 deg	Medium	85 %	4.200	LEDiL: LEDiL



H G F E D C B A

4
3
2
1



	DIMENSION A
WITH LEDIL LUXEON S SOCKETS	80.5 mm
WITH TYCO SOCKET	80.5 mm
WITH LEDIL BRIDGELUX VERO SOCKETS	79.5 mm

Tolerances if not otherwise shown
According to DIN ISO 2768-1
Linear measures:
Up to 30mm class M, otherwise class C.
According to DIN ISO 2768-2
Form and position: class L

LEDiL Ledil Oy
Salorankatu 10
FIN 24240 SALO
Finland

THIRD ANGLE PROJECTION:

DRAWING TITLE
DATA SHEET ANGELA

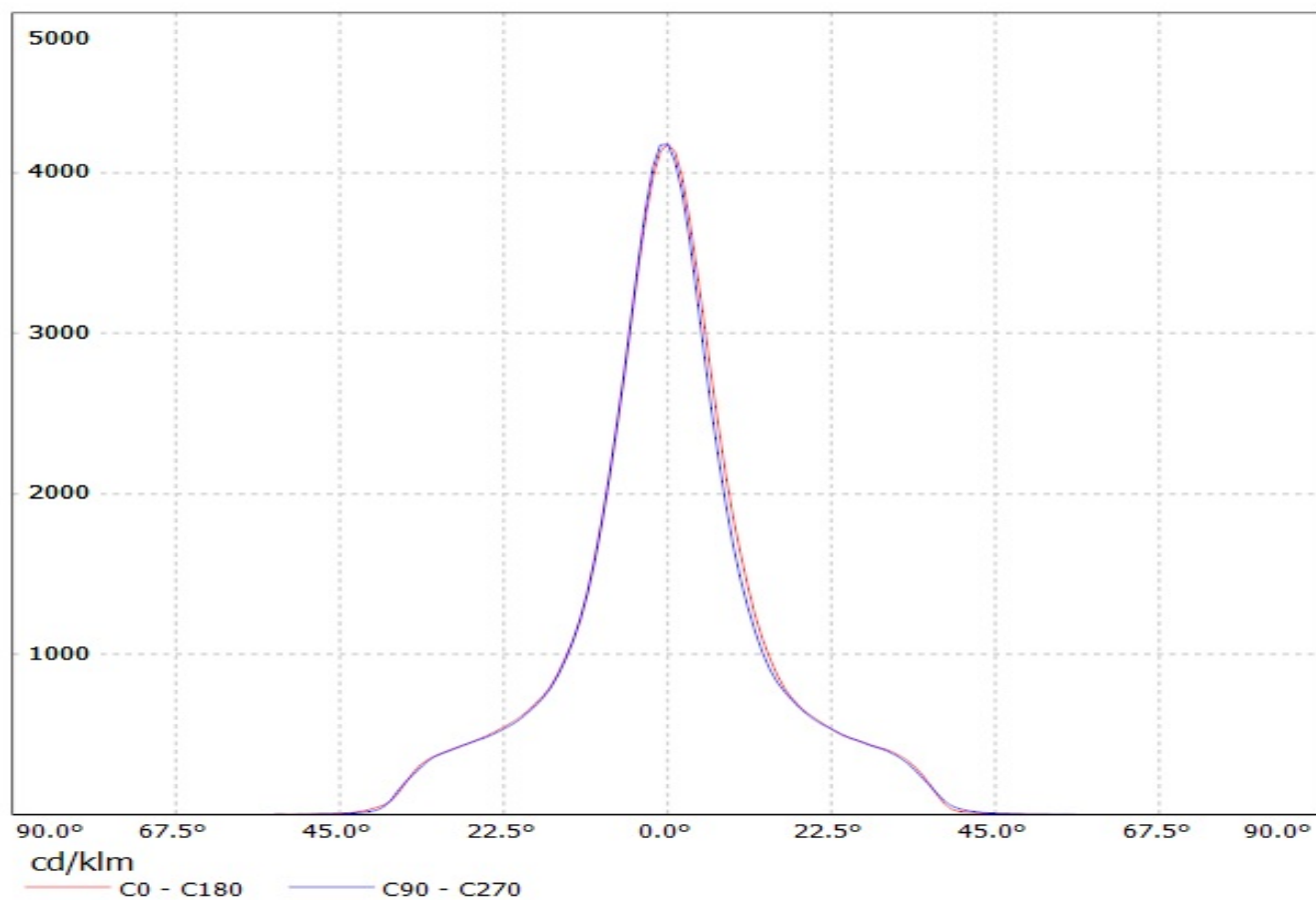
This drawing is the property of LEDiL Oy. It may not be reproduced, copied or communicated without a written agreement with LEDiL Oy."

SIZE	PART NUMBER		
A3	-		

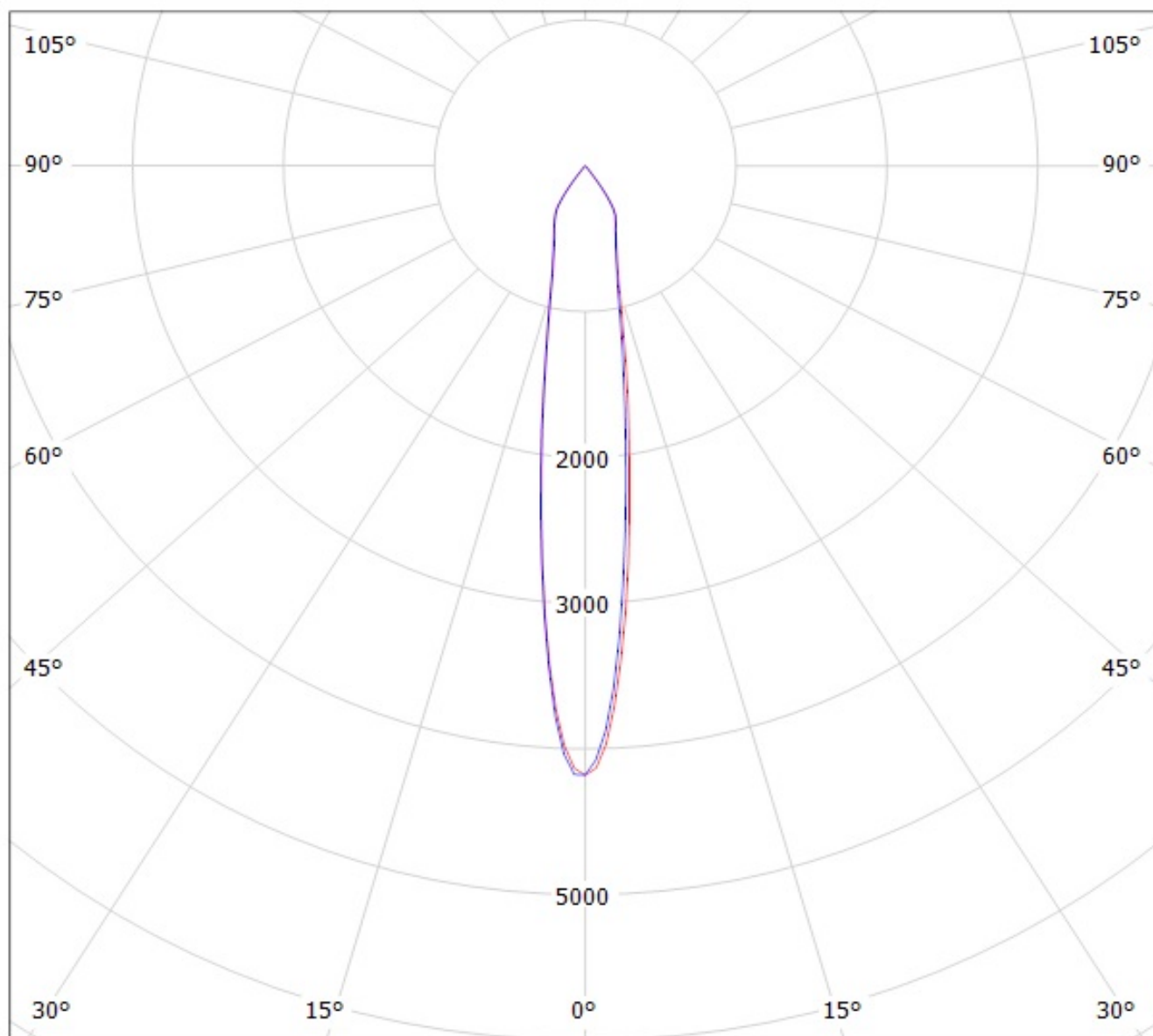
SCALE	1:1	WEIGHT	-	SHEET	1/1
-------	-----	--------	---	-------	-----

H G B A

Luminaire: LEDil Oy FCN13569_ANGELA-M_(Luxeon_S3000) Efficiency=85%
Lamps: 1 x FCN13569_ANGELA-M_(Luxeon_S3000) (LXS8-PW30-0017) 593lm @ 100mA P=6.5W I=100mA



Luminaire: LEDil Oy FCN13569_ANGELA-M_(Luxeon_S3000) Efficiency=85%
Lamps: 1 x FCN13569_ANGELA-M_(Luxeon_S3000) (LXS8-PW30-0017) 593lm @ 100mA P=6.5W I=100mA



cd/klm

— C0 - C180 — C90 - C270

NOTE: The typical divergence will be changed by different color, chip size and chip position tolerance. The typical total divergence is the full angle measured where the luminous intensity is half of the peak value.