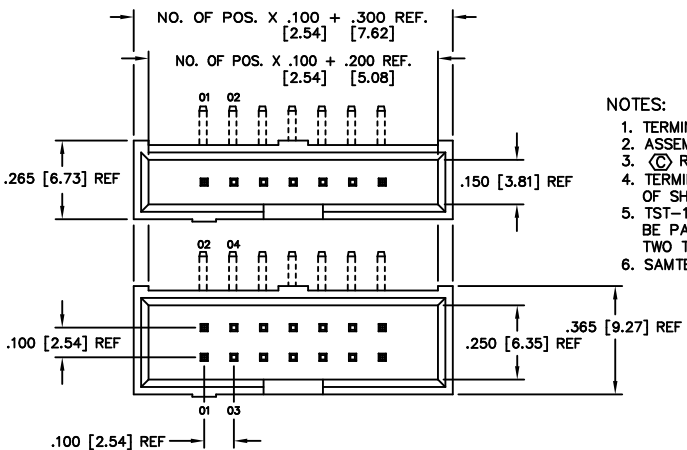


REVISION AJ

DO NOT SCALE FROM THIS PRINT

DIMENSIONS ARE IN INCHES		TOLERANCES ARE:	
ONE PLACE DECIMALS ± .1 [2.5]	THREE PLACE DECIMALS ± .005[.13]	ANGLES ± 2°	
TWO PLACE DECIMALS ± .01 [25]	FOUR PLACE DECIMALS ± .0020 [.050]		

TITLE: TOP SHROUD TERMINAL STRIP  
 DWG NO: TST-1XX-XX-X-X-XX-XX  
 SHEET 1 OF 1



- NOTES:
1. TERMINAL PUSHOUT FORCE: 3 lbs.
  2. ASSEMBLE GOLD PLATED END AS SHOWN.
  3. (C) REPRESENTS CRITICAL DIMENSION.
  4. TERMINALS TO BE FLUSH TO .010 [.25] BELOW TOP OF SHROUD.
  5. TST-1XX-04-X-D-RA-XX ASSEMBLIES ARE TO BE PACKAGED IN A PT-1-24-01-40, TUBE WITH TWO TP-13 PLUGS PER TUBE (ALL POSITIONS).
  6. SAMTEC LOGO MAY VARY IN LOCATION.

TST-1XX-XX-X-X-XX-XX

- No OF POSITIONS  
 -02 (STRAIGHT ONLY)  
 -03 THRU -18 & 20,  
 24, 25, 28, 30, 32, 36
- LEAD STYLE  
 SEE TABLE 1
- POLARIZE OPTION  
 -XX INDICATES POSITION OMITTED
- OPTION  
 BLANK: STRAIGHT (STYLE -04 & -05 N/A)  
 -RA: RIGHT ANGLE (STYLE -01, -02, & -03 N/A)  
 (SEE NOTE 5)  
 -LL: LOCKING LEAD  
 -LA: -RA OPTION WITH -LL OPTION
- ROW OPTION  
 -D: DOUBLE  
 -S: SINGLE

- PLATING SPECIFICATION
- G: GOLD, 10 Au / 50 NI MIN ON CONTACT, 3 AU / 50 NI MIN ON TAIL
  - T: MATTE TIN CONTACT AND TAIL
  - S: SELECTIVE, 30 Au / 50 NI MIN ON CONTACT, MATTE TIN TAIL
  - L: LIGHT SELECTIVE, 10 Au / 50 NI MIN ON CONTACT, MATTE TIN TAIL
  - H: HEAVY GOLD, 30 AU / 50 NI MIN ON CONTACT, 3 AU / 50 NI MIN ON TAIL
  - F: FLASH SELECTIVE, 3 Au / 50 NI MIN ON CONTACT, MATTE TIN TAIL

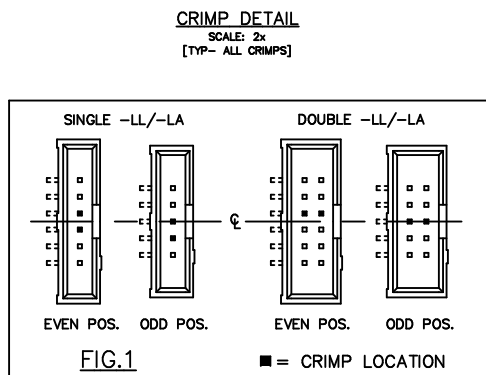
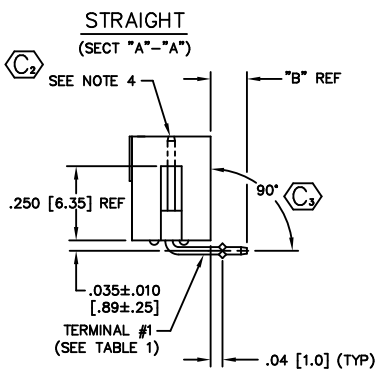
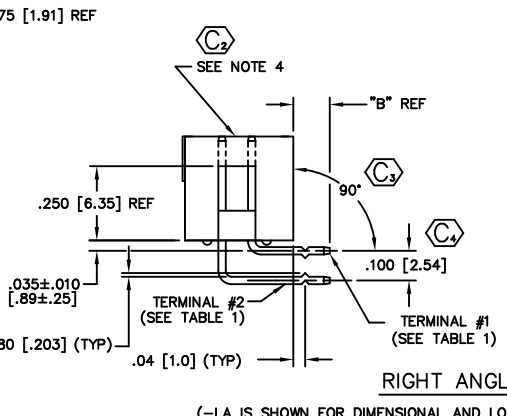
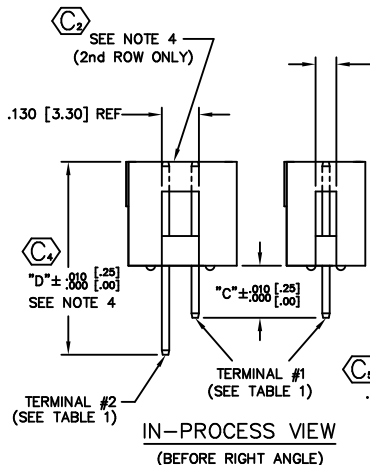
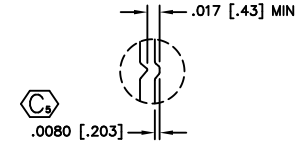
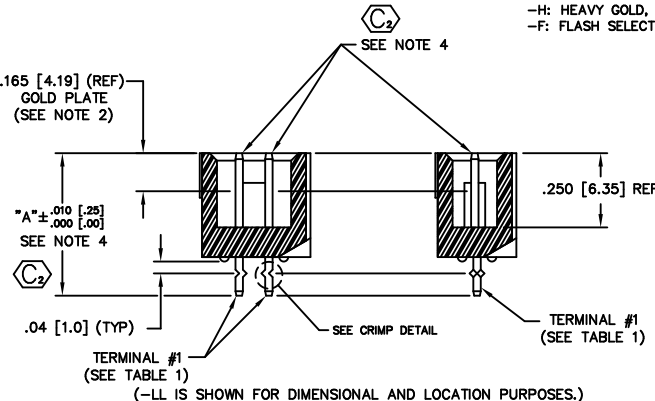
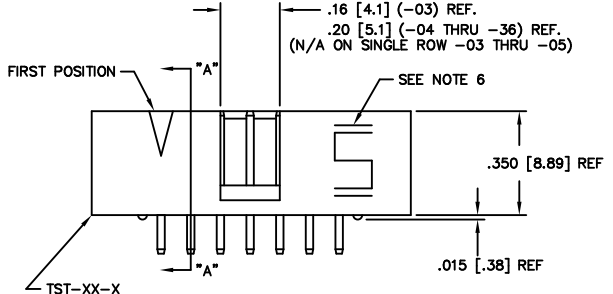


TABLE 1

LEAD STYLE	"A"	"B"	"C"	"D"	TERMINAL #1	TERMINAL #2
-01	.480 [12.19]	-----	-----	-----	T-1S6-17-X-2	-----
-02	.530 [13.46]	-----	-----	-----	T-1S6-08-X-2	-----
-03	.930 [23.62]	-----	-----	-----	T-1S6-11-X-2	-----
-04	-----	.130 [3.30]	.280 [7.11]	.830 [21.08]	T-1S6-15-X-2	T-1S6-10-X-2
-05	-----	.230 [5.84]	.380 [9.65]	.930 [23.62]	T-1S6-09-X-2	T-1S6-11-X-2

MATERIAL:  
 VALOX SE0 OR 553, OR CELANEX 3316  
 COLOR: BLACK

TERMINAL:  
 PHOSPHOR BRONZE, ALLOY No  
 510, GRADE A, FEDERAL SPEC.  
 QQ-B-750, 3/4 HARD, 95 - 105  
 KPSI TENSILE.  
 MATERIAL THICKNESS: .0250±.0003  
 [.635±.0076]

EXISPROD\ASSEMBLY\100  
 TST-ASM

**samtec**

520 PARK EAST BLVD. NEW ALBANY, INDIANA 47150  
 PHONE (812) 944-6733 P.O. BOX 1147  
 CODE 55322

MADE BY: JORDAN 2-18-87

TST-1XX-XX-X-X-XX-XX  
 SHEET 1 OF 1

PROPRIETARY NOTE  
 THIS DOCUMENT CONTAINS INFORMATION CONFIDENTIAL AND PROPRIETARY TO SAMTEC INC. AND SHALL NOT BE REPRODUCED OR TRANSMITTED IN ANY FORM OR BY ANY MEANS, ELECTRONIC OR MECHANICAL, INCLUDING PHOTOCOPYING, RECORDING, OR BY ANY INFORMATION STORAGE AND RETRIEVAL SYSTEM, WITHOUT THE WRITTEN CONSENT OF SAMTEC INC.