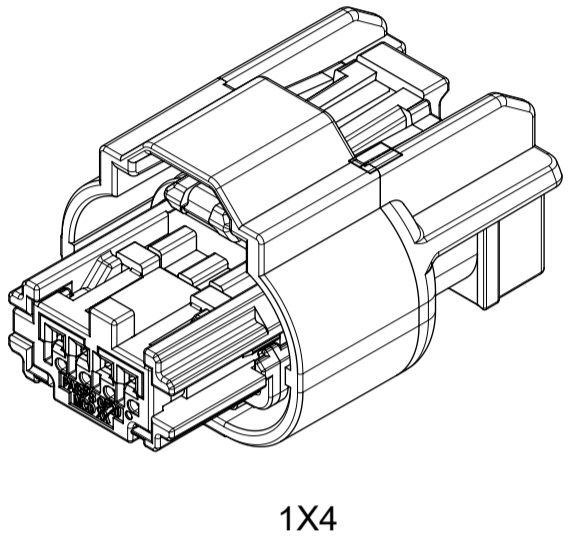


TABLE OF CONTENTS	
SHEET NO.	SHEET DESCRIPTION
1	NOTES AND BOM
2	CONFIGURATIONS
3	RECEPTACLE CONNECTOR ASSEMBLY

PART NUMBER AND MATING INTERFACE CHART						
PART NUMBER	KEY	COVER COLOR	TERMINAL POSITIONS PLUGGED	CPA INCLUDED	INTERFACE PART NUMBER	
349674001	A	BLACK	NONE	YES	349684801	
349674002	B	LIGHT GRAY	NONE	YES	349684802	
349674003	C	DARK GRAY	NONE	YES	349684803	
349674004	D	STONE GRAY	NONE	YES	349684804	
349674021	A	BLACK	2	YES	349684801	
349674005	A	BLACK	NONE	NO	349684801	
349674006	B	LIGHT GRAY	NONE	NO	349684802	
349674007	C	DARK GRAY	NONE	NO	349684803	
349674008	D	STONE GRAY	NONE	NO	349684804	
349674025	A	BLACK	2	NO	349684801	



1X4

NOTES: VALID UNLESS OTHERWISE SPECIFIED

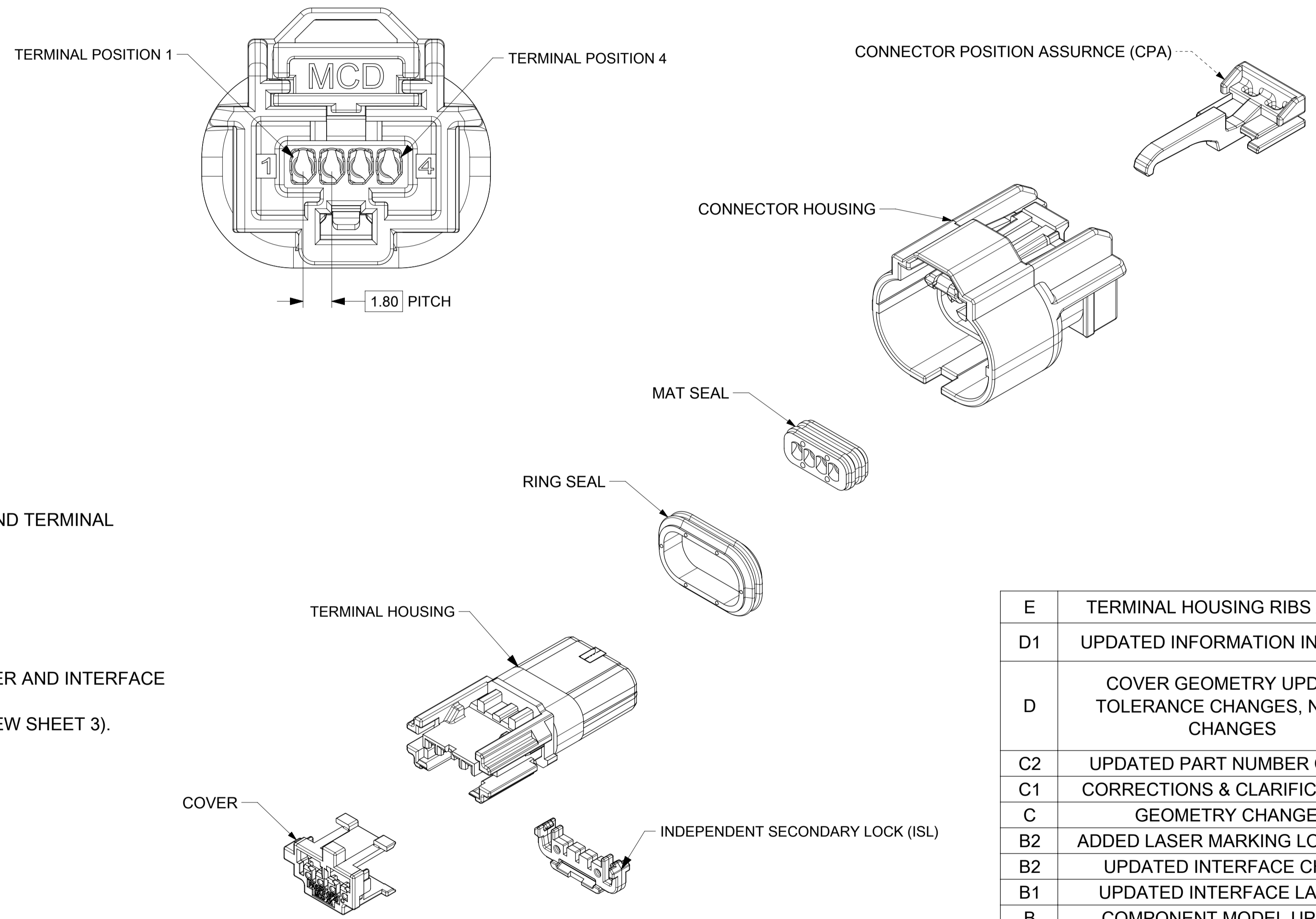
1. GENERAL:
 A. APPLICATION SPECIFICATION SEE: AS-34894-0001
 -CONTAINS: PRODUCT INTRODUCTION, PRODUCT SUMMARY, CONNECTOR ASSEMBLY, PACKAGING INFORMATION, CONNECTOR MATING, SERVICE INSTRUCTIONS, ELECTRICAL CONTINUITY CHECKING, CRIMPING, AND TROUBLESHOOTING.
 B. TERMINALS TO BE USED WITH THIS ASSEMBLY:

TERMINAL TABLE							
TERMINAL PART NUMBER	MARKING TYPE	TOP LAYER PLATING TYPE	GRIP CODE	WIRE INSULATION OD (mm)	WIRE SIZE (mm ²)	MAX TEMP.	MAX VOLTAGE
34905-3443	LH	Ag	L	1.2-1.4	0.35	125°C	14 VOLTS DC
34905-2443	L	Sn	L	1.2-1.4	0.35	105°C	
34905-3444	SH	Ag	S	0.95-1.05	0.13	125°C	
34905-2444	S	Sn	S	0.95-1.05	0.13	105°C	

- FOR MORE INFORMATION ON TERMINALS SEE MOLEX DRAWING 349050400 AND TERMINAL PRODUCT SPECIFICATION PS-34905-001.
 C. CONNECTOR PRODUCT SPECIFICATION SEE 349670001 PS
 CONTAINS: PRODUCT INTRODUCTION, PRODUCT SUMMARY, RATINGS AND PRODUCT VALIDATION.
 VALIDATED TO USCAR 2 REV 6.
 RATINGS: T3 V1 S2
 D. DESIGNED TO MATE WITH DEVICE INTERFACE AS SPECIFIED IN PART NUMBER AND INTERFACE CHART. SEE MOLEX DRAWING 349684800 FOR INTERFACE SPECIFICATION.
 E. ASSEMBLY SHIPPED WITH ISL IN PRE-LOCK POSITION (SEE ISL PRE-LOCK VIEW SHEET 3).
 F. PACKAGING SPECIFICATION PER MOLEX DRAWING: PK-31301-898
 G. PARTS MUST BE IN COMPLIANCE TO MOLEX CHEMICAL SUBSTANCES FOR PRODUCTS AND PACKAGING SPECIFICATION: ES-40000-5016
 H. DATA MUST BE SUBMITTED UNDER THE MOLEX PART NUMBER TO IMDS (COMPANY ID#13255)

2. DESIGN - MATERIALS:
 CONNECTOR HOUSING: SPS/NYLON GF20 BLACK
 TERMINAL HOUSING: SPS/NYLON GF20 BLACK
 COVER: SPS/NYLON GF20 COLORS IN PART NUMBER CHART
 ISL: SPS GF30 NATURAL
 MAT SEAL: INHERENTLY LUBRICATED SILICONE LIGHT BLUE
 RING SEAL: INHERENTLY LUBRICATED SILICONE RUST RED
 CPA (OPTIONAL): PBT GF30 RED

3. DESIGN - GEOMETRY:
 A. ALL GRAPHIC DATA IS BASIC (NO TOLERANCE) AND MUST BE TAKEN FROM THE DATA FILE AT ITS LATEST REVISION.
 B. GEOMETRIC DIMENSIONS AND TOLERANCES PER ASME Y14.5M-2009
 C. EDGES AND UNDIMENSIONED DETAILS PER ISO13715
 D. CORNERS SHOWN AS SHARP TO BE R 0.2 MAX.
 E. LETTERING SHALL BE 0.15 MAX RAISED IN 0.25 MAX RECESS PAD.
 THIS INCLUDES RECYCLING CODE, CAVITY ID, VENDOR IDENTIFICATION, AND CUSTOMER MATERIAL NUMBER.
 F. VISUAL DEFECTS SHALL MEET COSMETIC STANDARD PS-45499-002 (Class B).
 G. PARTS ARE LASER MARKED WITH PART NUMBER AND DATE CODE

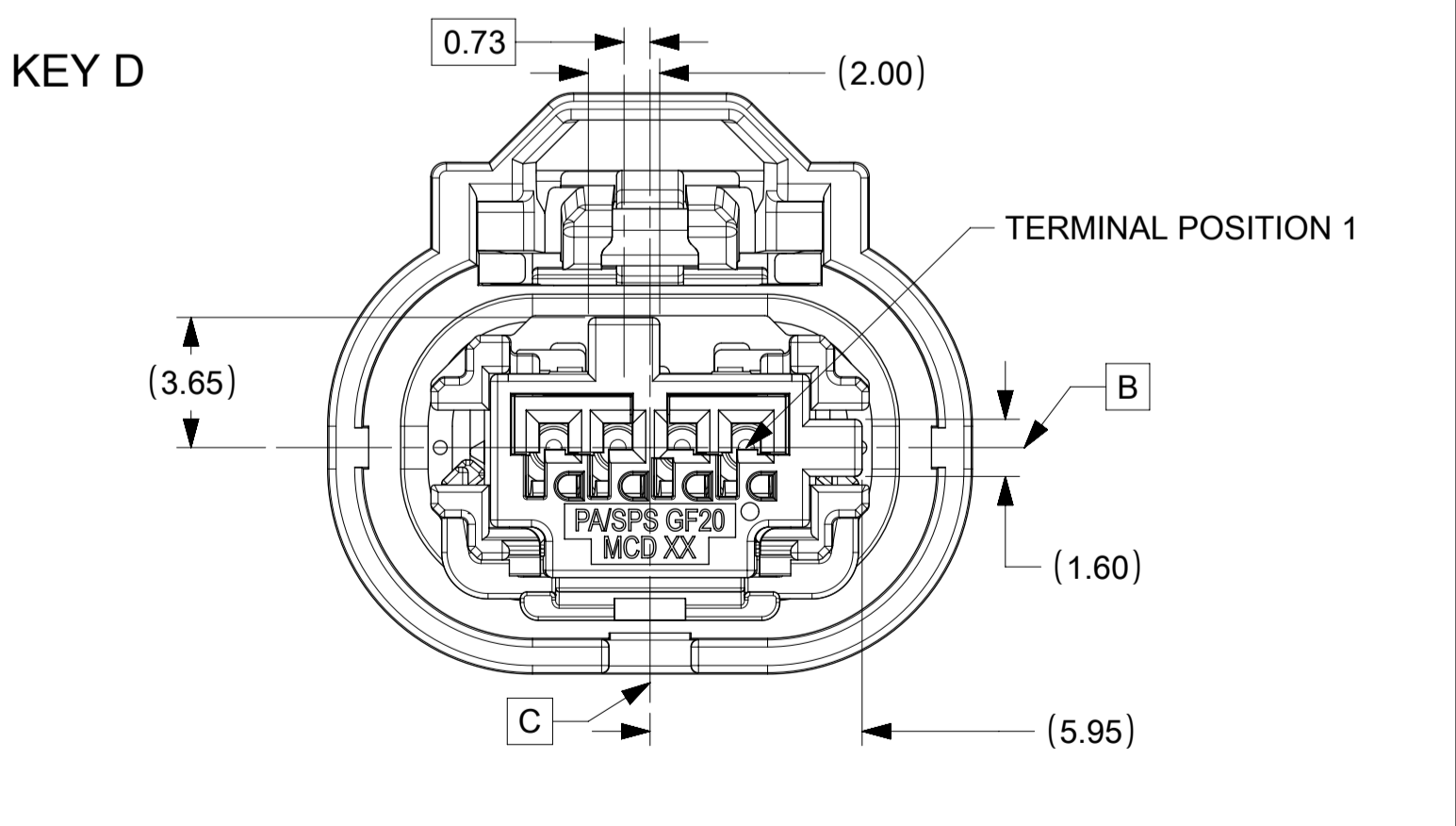
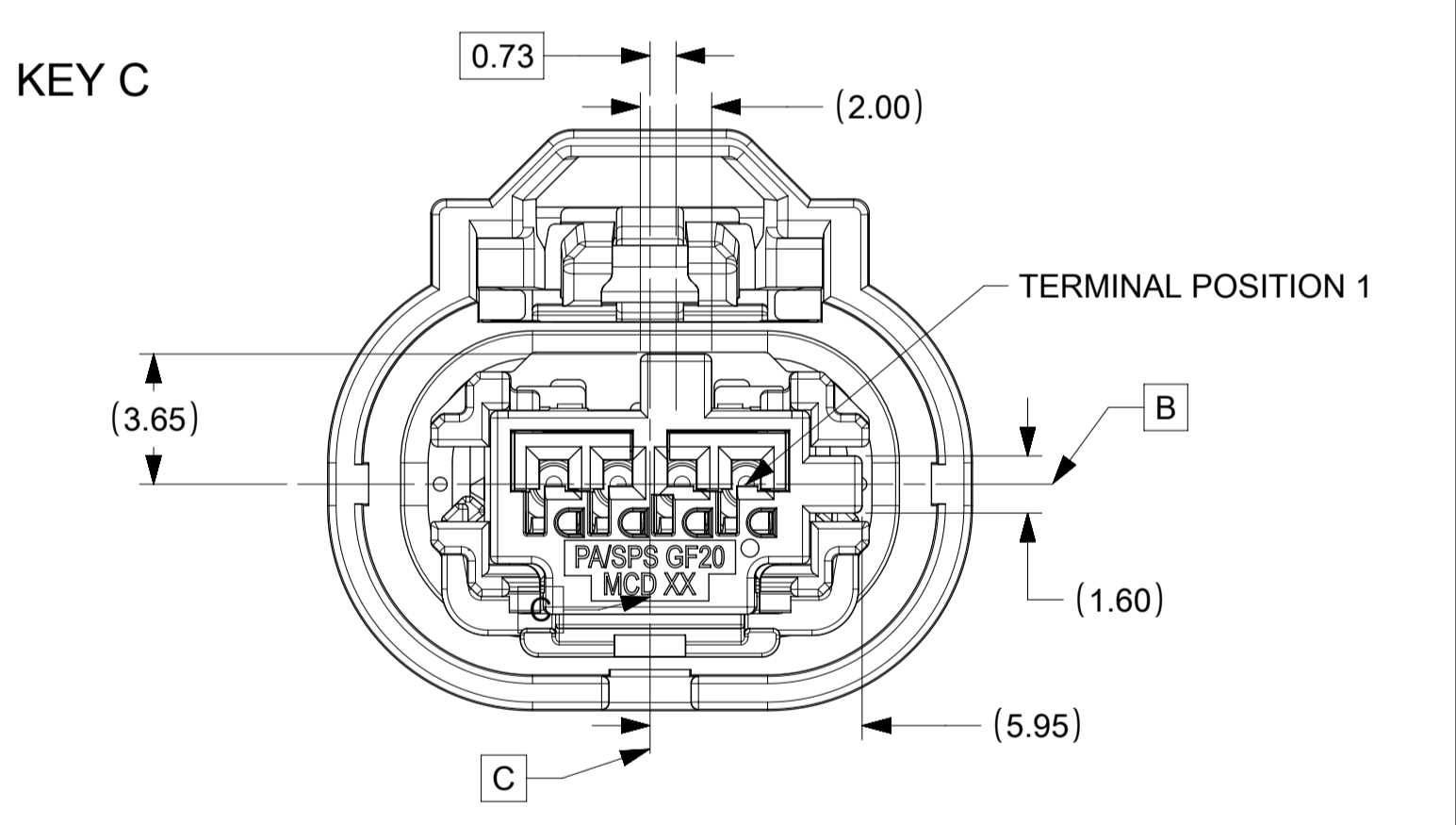
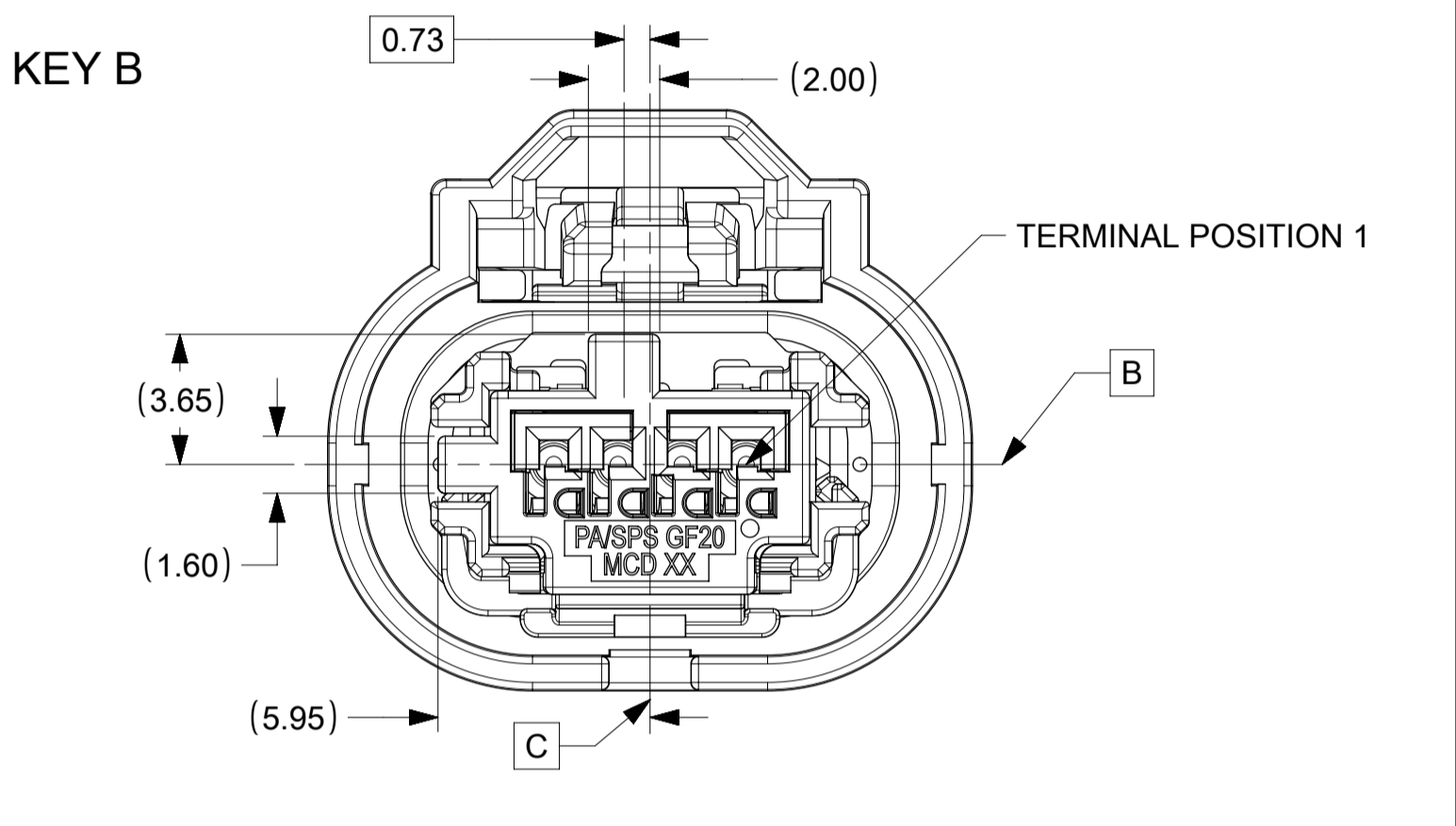
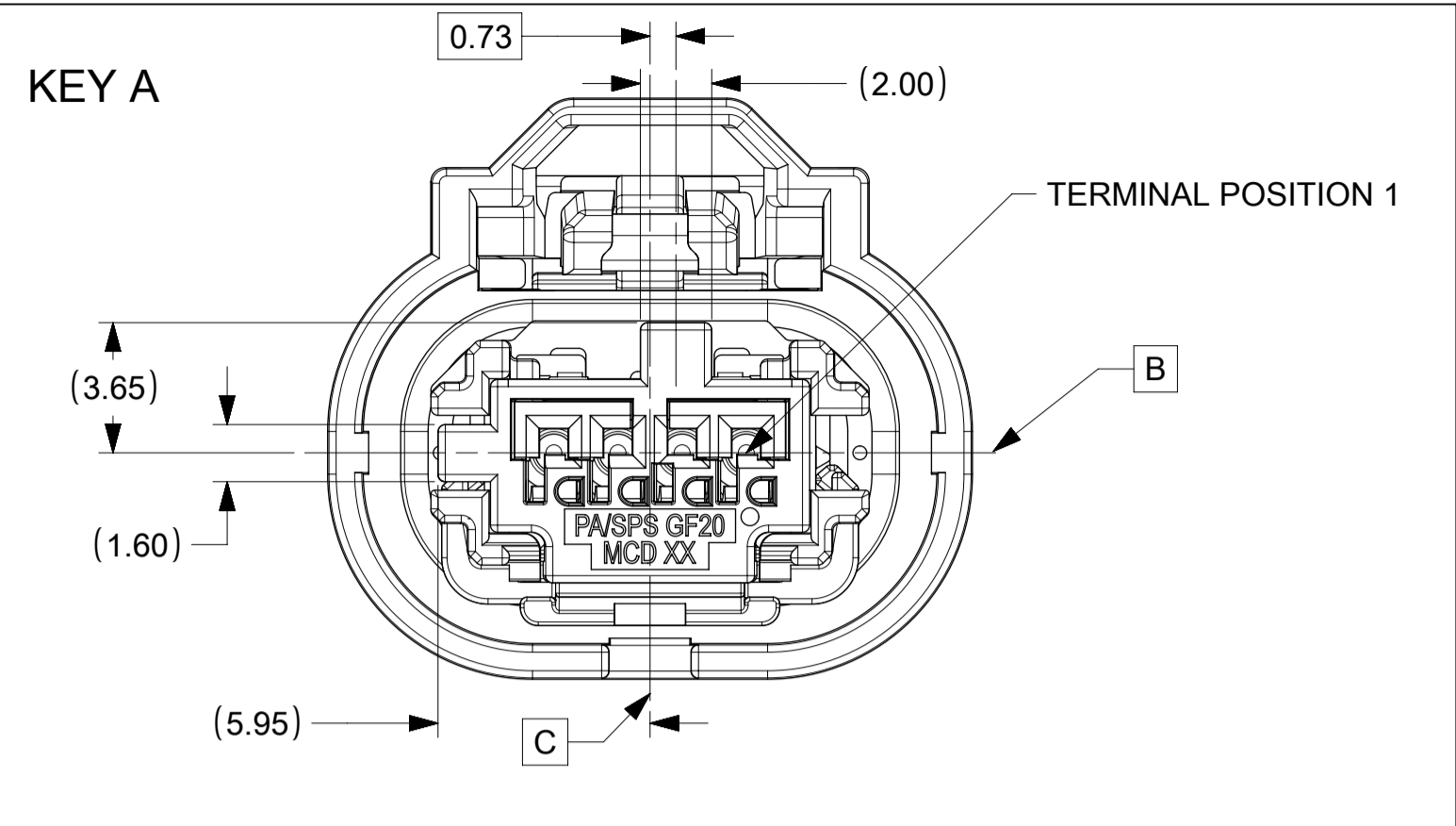


REV	DESCRIPTION
E	TERMINAL HOUSING RIBS ADDED
D1	UPDATED INFORMATION IN NOTES
D	COVER GEOMETRY UPDATE, TOLERANCE CHANGES, NOTES CHANGES
C2	UPDATED PART NUMBER CHART
C1	CORRECTIONS & CLARIFICATIONS
C	GEOMETRY CHANGES
B2	ADDED LASER MARKING LOCATION
B2	UPDATED INTERFACE CHART
B1	UPDATED INTERFACE LAYOUT
B	COMPONENT MODEL UPDATE
A1	UPDATED VIEWS & INTERFACE CHART
A	MINOR UPDATES
1	INITIAL RELEASE
REV	REV DESCRIPTION

INSPECTION NUMBER LOG	
LAST NUMBER:	15
ADDED:	2,4,7,8,9,13,14

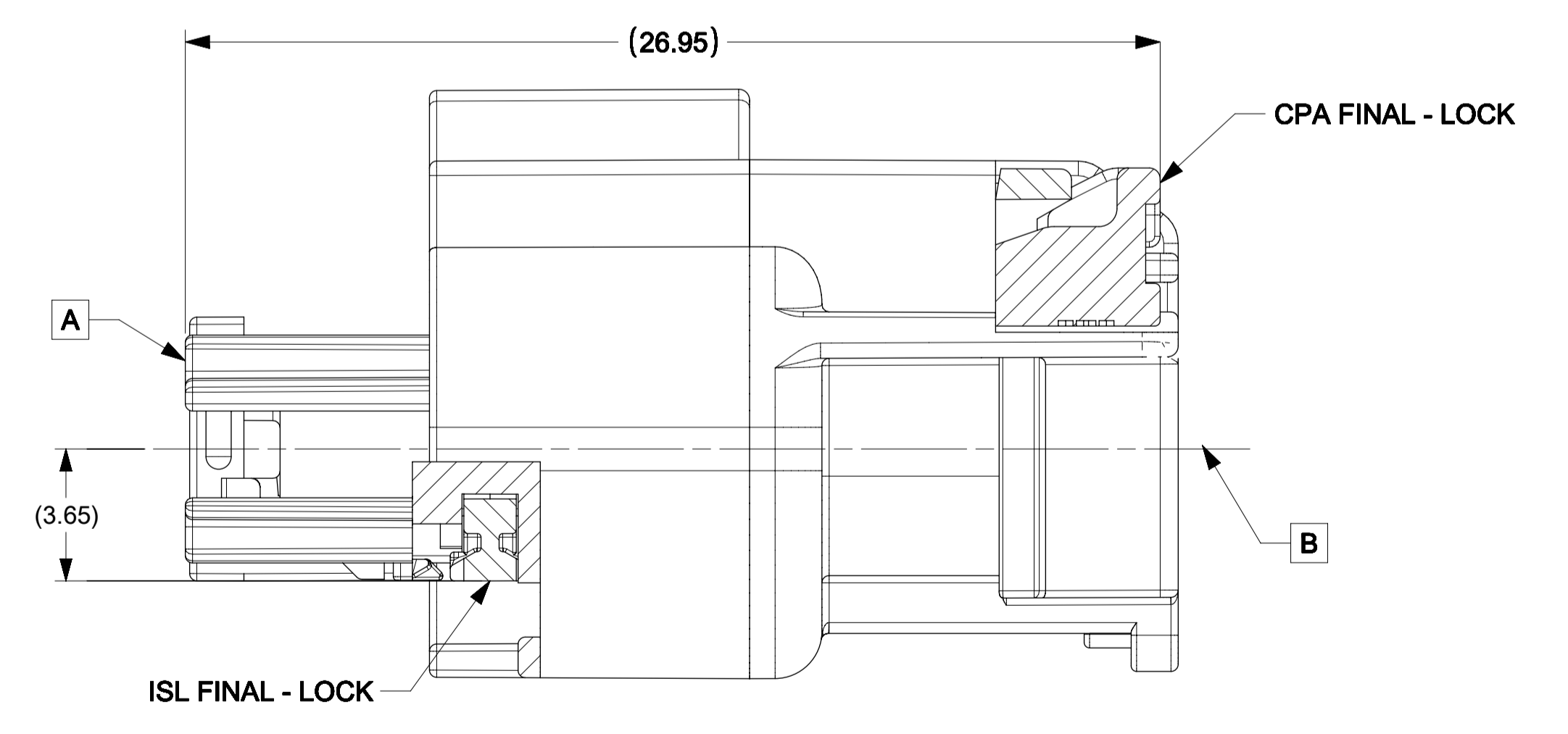
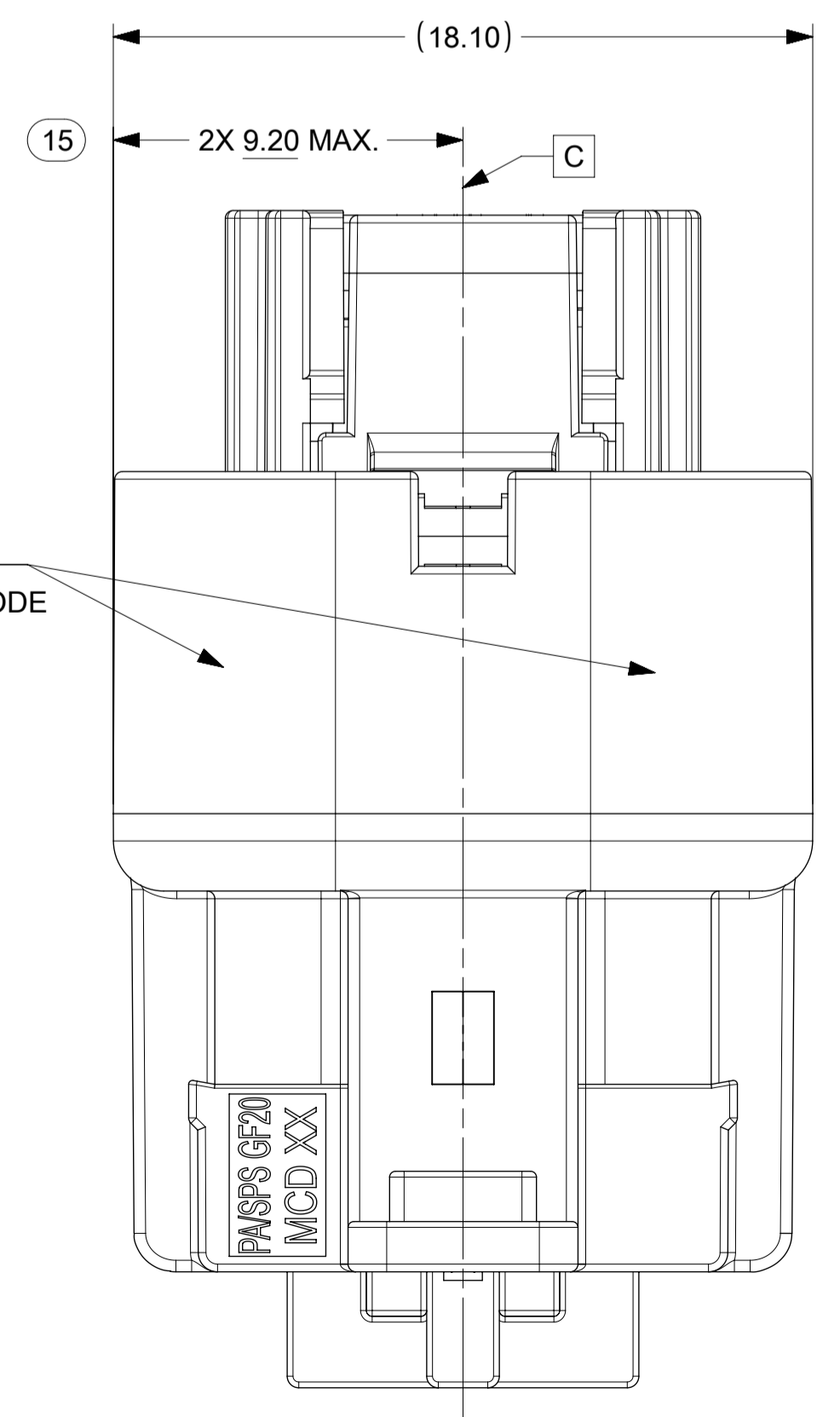
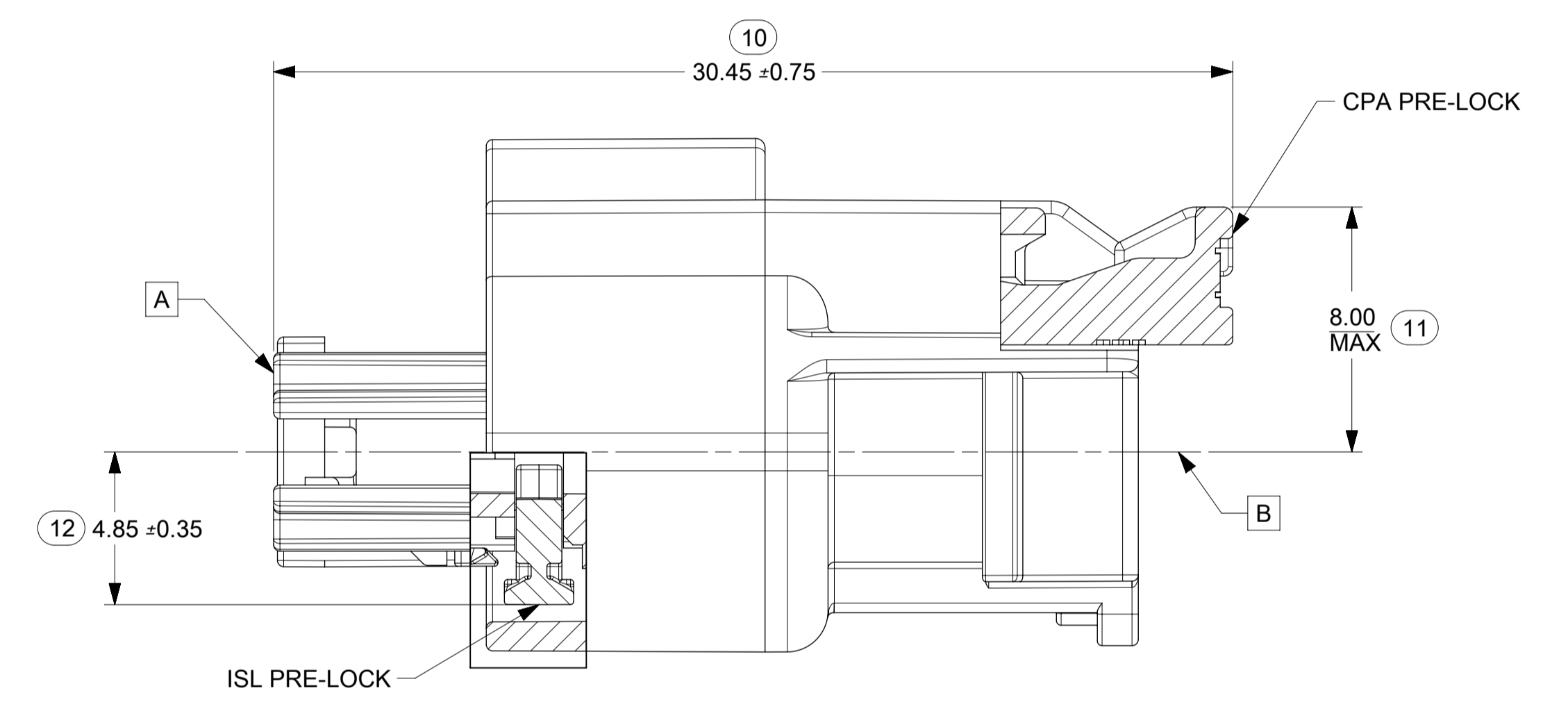
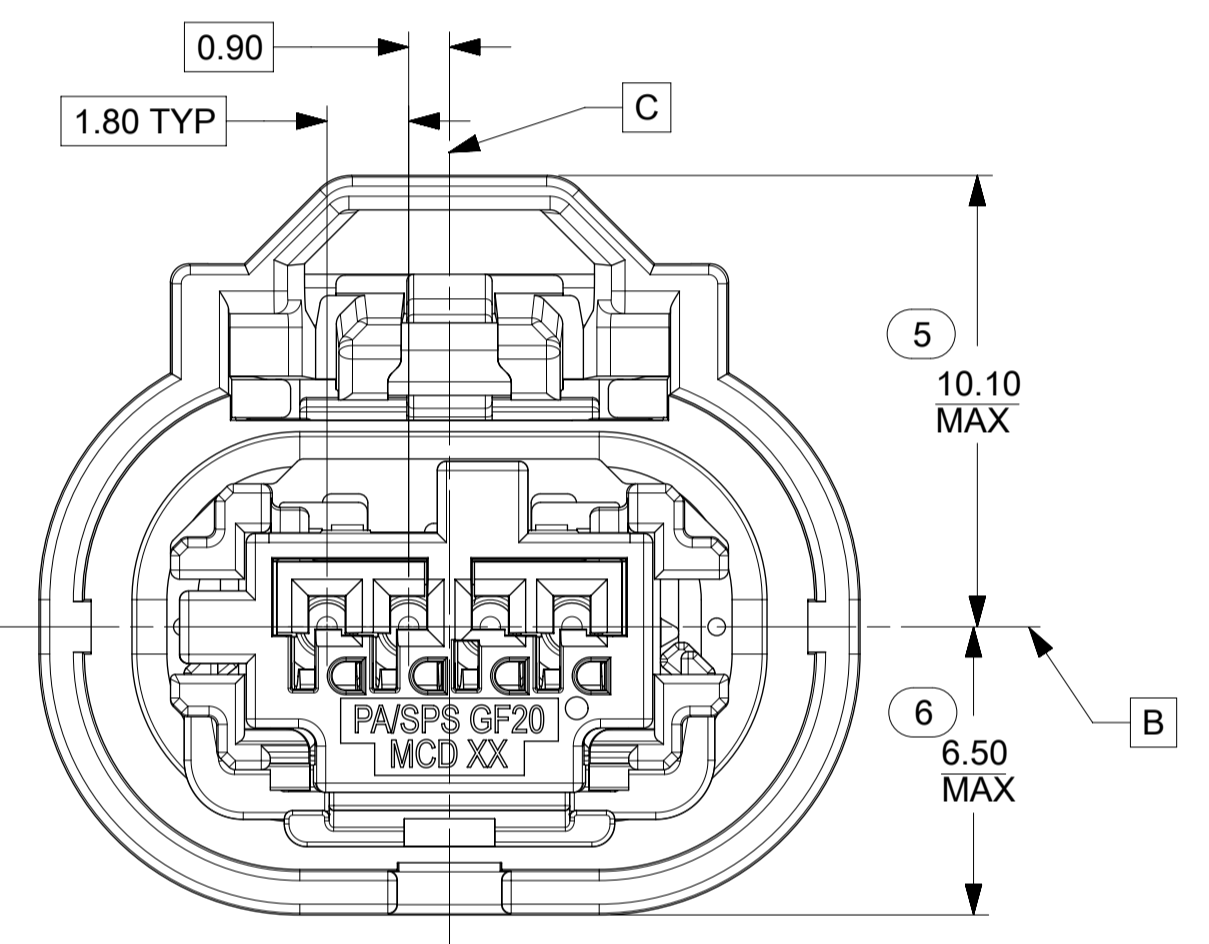
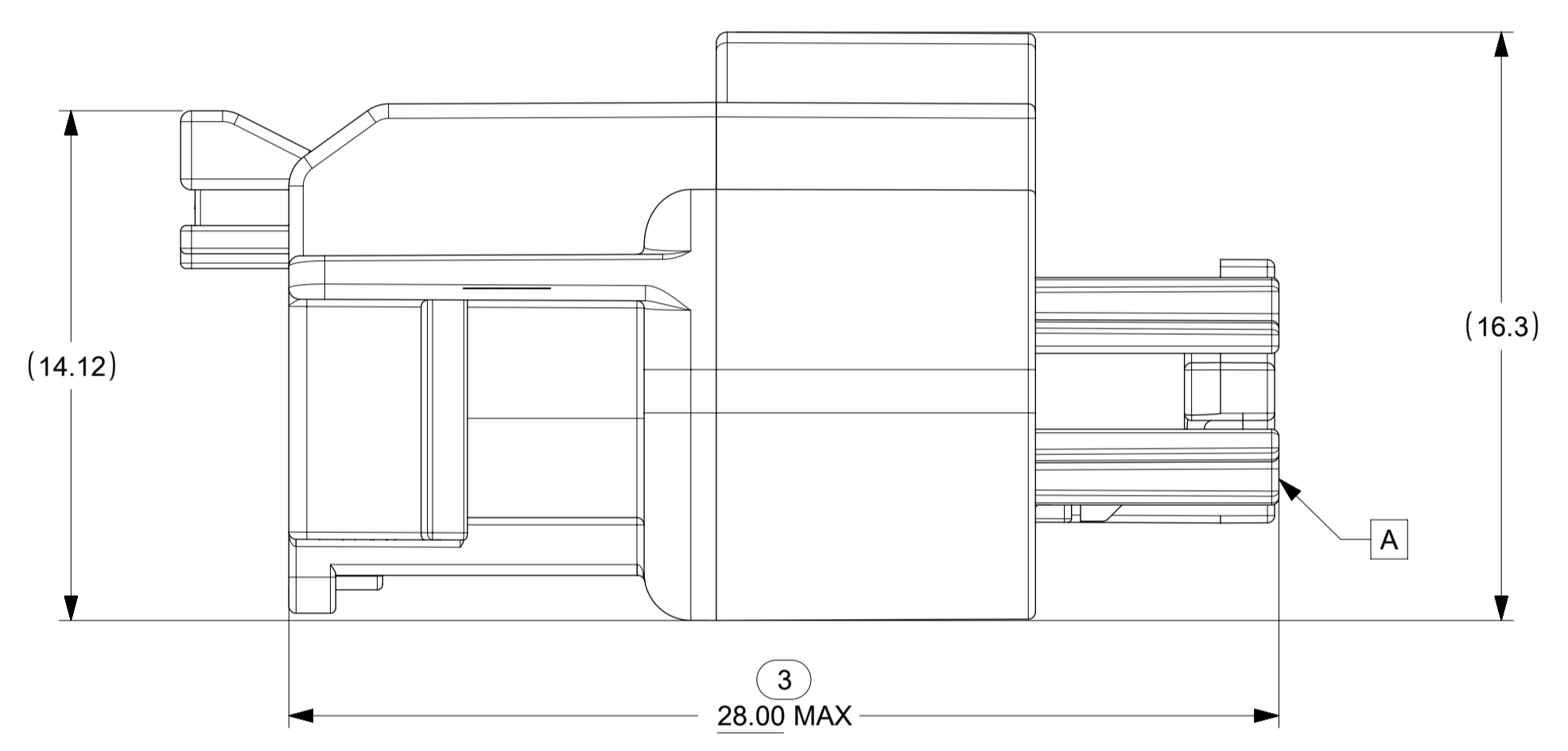
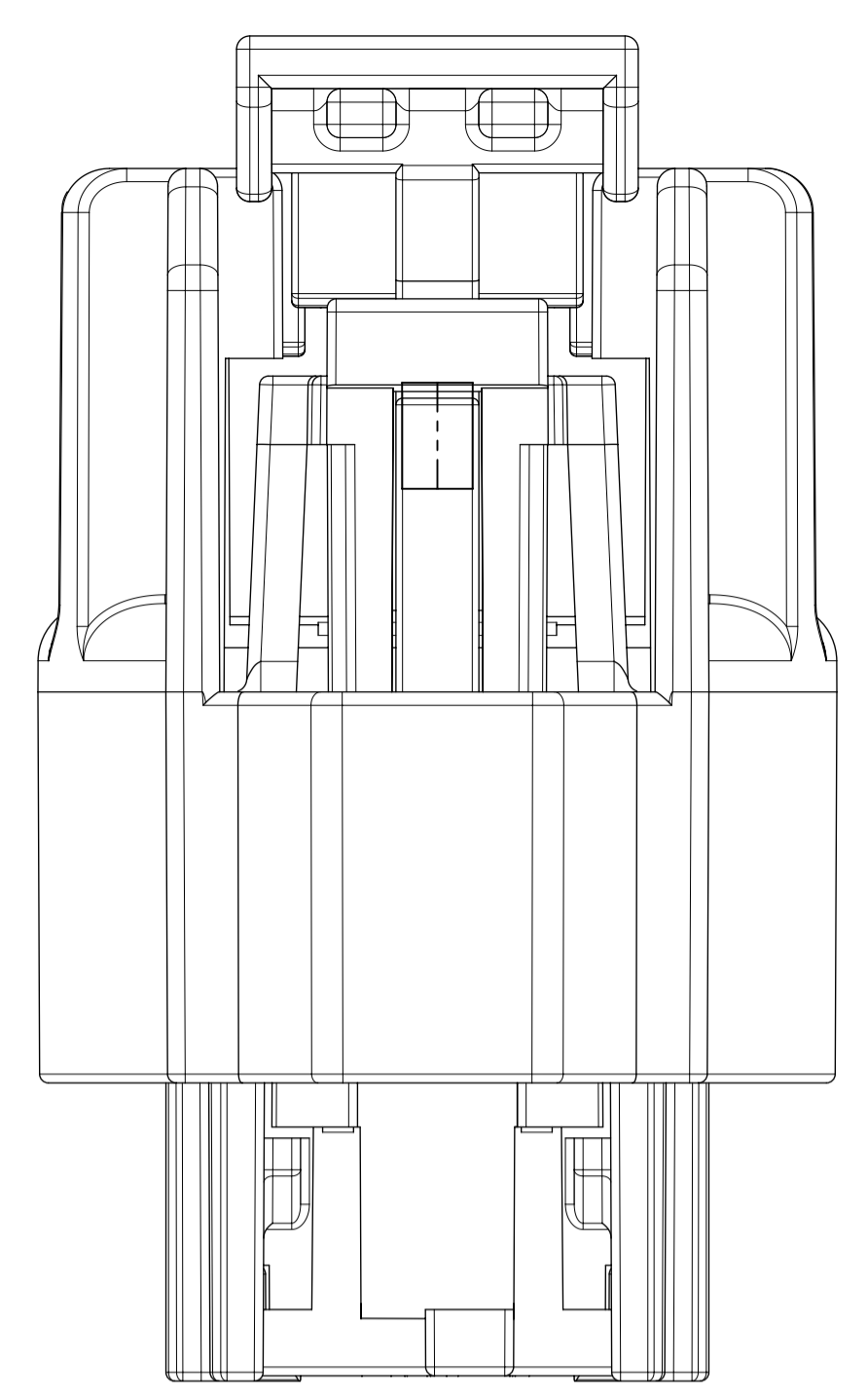
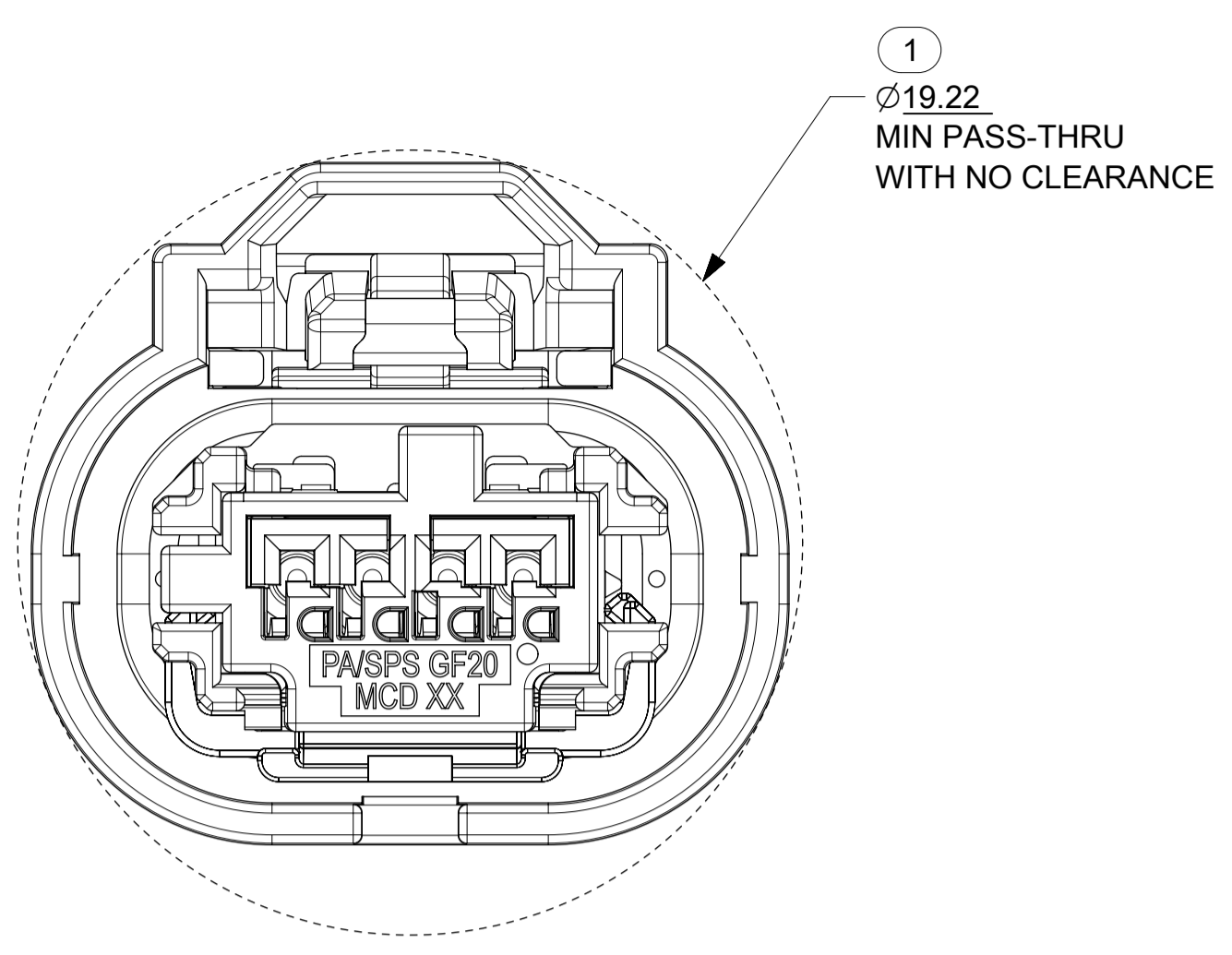
QUALITY SYMBOLS FA = 0 FE = 0 FE = 0 ▼ = 0 C = 0 ☒ = 0 ■ = 0 ∇ = 0	THIS DRAWING CONTAINS INFORMATION THAT IS PROPRIETARY TO MOLEX ELECTRONIC TECHNOLOGIES, LLC AND SHOULD NOT BE USED WITHOUT WRITTEN PERMISSION					
	EC NO: 118863 DRWN: JURUTTER CHKD: REV APPR: KDEKOSKI	2017/06/27 2017/07/10	GENERAL TOLERANCES (UNLESS SPECIFIED) ANGULAR TOL ± 3.0 ° 4 PLACES ± 3 PLACES ± 2 PLACES ± 0.1 1 PLACE ± 0.2 0 PLACES ±	DIMENSION UNITS: MM SCALE: 1:1 DRWN BY: MNS02 DATE: 2016/04/26 CHK'D BY: DATE: APPR BY: KDEKOSKI DATE: 2016/05/19		PRODUCT CUSTOMER DRAWING SERIES: 34967 MATERIAL NUMBER: SEE CHART CUSTOMER:
	DRAFT WHERE APPLICABLE MUST REMAIN WITHIN DIMENSIONS A1		DRAWING SIZE: A1 THIRD ANGLE PROJECTION	DOCUMENT NUMBER: 349674000 DOC TYPE: PSD DOC PART: 000 SHEET NUMBER: 1 OF 3		

SHEET DESCRIPTION
KEY CONFIGURATIONS



THIS DRAWING CONTAINS INFORMATION THAT IS PROPRIETARY TO MOLEX ELECTRONIC TECHNOLOGIES, LLC AND SHOULD NOT BE USED WITHOUT WRITTEN PERMISSION										
QUALITY SYMBOLS	2017/06/27	2017/07/10	GENERAL TOLERANCES (UNLESS SPECIFIED)		DIMENSION UNITS	SCALE				
			ANGULAR TOL ± 3.0 °		MM	1:1				
▽ = 0	EC NO: 118863 DRWN: JURUTTER CHKD: REV APPR: KDEKOSKI	E	4 PLACES ±	MNS02		DATE	MINI50 SEALED 1X4 RCPT ASSY			
▽ = 0			3 PLACES ±	2016/04/26		CHK'D BY				
▽ = 0			2 PLACES ± 0.1	APPR BY		DATE	PRODUCT CUSTOMER DRAWING			
▽ = 0			1 PLACE ± 0.2	KDEKOSKI		2016/05/19				
▽ = 0			0 PLACES ±	DRAWING SIZE		THIRD ANGLE PROJECTION	SERIES	MATERIAL NUMBER	CUSTOMER	
▽ = 0			DRAFT WHERE APPLICABLE MUST REMAIN WITHIN DIMENSIONS		A1		34967	SEE CHART		
▽ = 0					DOCUMENT NUMBER	DOC TYPE	DOC PART	SHEET NUMBER		
						349674000	PSD	000	2 OF 3	

SHEET DESCRIPTION
RECEPTACLE CONNECTOR ASSEMBLY



THIS DRAWING CONTAINS INFORMATION THAT IS PROPRIETARY TO MOLEX ELECTRONIC TECHNOLOGIES, LLC AND SHOULD NOT BE USED WITHOUT WRITTEN PERMISSION											
QUALITY SYMBOLS	2017/06/27 2017/07/10 EC NO: 118863 DRWN: JURUTTER CHKD: REV APPR: KDEKOSKI	GENERAL TOLERANCES (UNLESS SPECIFIED)		DIMENSION UNITS	SCALE						
		ANGULAR TOL ± 3.0 °		MM	1:1						
▽ = 0 ▽ = 0 ▽ = 0 ▽ = 0 ▽ = 0 ▽ = 0 ▽ = 0 ▽ = 0 ▽ = 0		4 PLACES ±	MNS02	DATE	2016/04/26	MINI50 SEALED 1X4 RCPT ASSY PRODUCT CUSTOMER DRAWING					
		3 PLACES ±	CHK'D BY	DATE							
		2 PLACES ± 0.1	APPR BY	DATE	2016/05/19	SERIES		MATERIAL NUMBER		CUSTOMER	
		1 PLACE ± 0.2	KDEKOSKI			34967		SEE CHART			
		0 PLACES ±	DRAFT WHERE APPLICABLE MUST REMAIN WITHIN DIMENSIONS			DRAWING SIZE		THIRD ANGLE PROJECTION		DOCUMENT NUMBER	
			A1			349674000		PSD		3 OF 3	