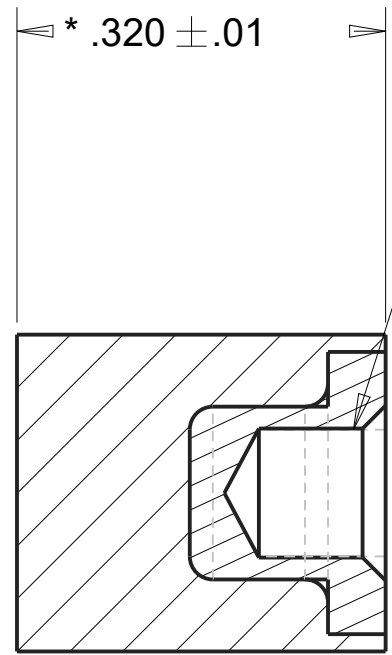
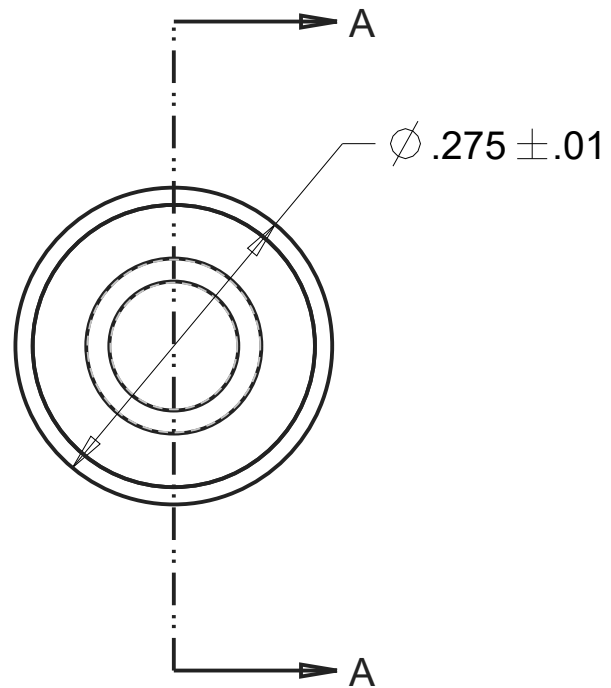
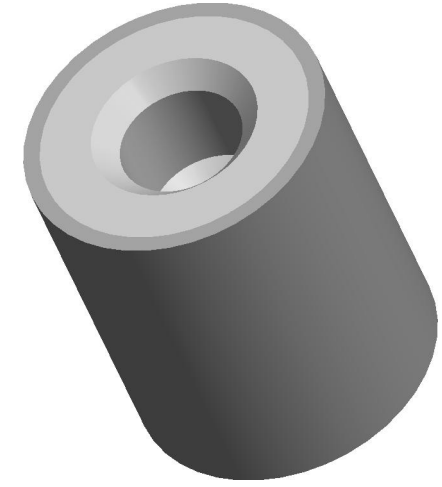




REVISIONS				
DRAWN	REV	DESCRIPTION	DATE	APPROVED
CP	01	INITIAL DESIGN	5/12/17	MS



GROUP 1 FEMALE  
INSERT #4-40  
UNC-2B - UC-04



SECTION A-A

NOTES:  
1. CONTACT AREAS MUST BE 100% BONDED.

INSERTS:  
FEMALE INSERT P/N: 021-1408  
MATERIAL: S.A.E 1018 STEEL  
FOR COATING DETAILS, SEE INSERT DRAWING.

MATERIAL:	AEARO TECHNOLOGIES LLC * a 3M company		
ISOLOSS HD	QUALITY CONTROL: MUST COMPLY WITH AEARO TECHONLGIES LLC SUPPLIER QUALITY MANUAL REQUIREMENTS	TITLE	
UNITS: IN		SANDWICH MOUNT, GROUP 1, FEMALE-BLANK, ISOLOSS HD	
	NOTES: ANY FEATURE NOT DIMENSIONED IN PRINT MUST BE VISIBLY PRESENT, UTILIZE 3D CAD FOR CREATION	SIZE	DWG NO.
		B	FB-100-UC04- H

D

D

C

C

B

B

A

A

1

2

3

4

1

2

3

4