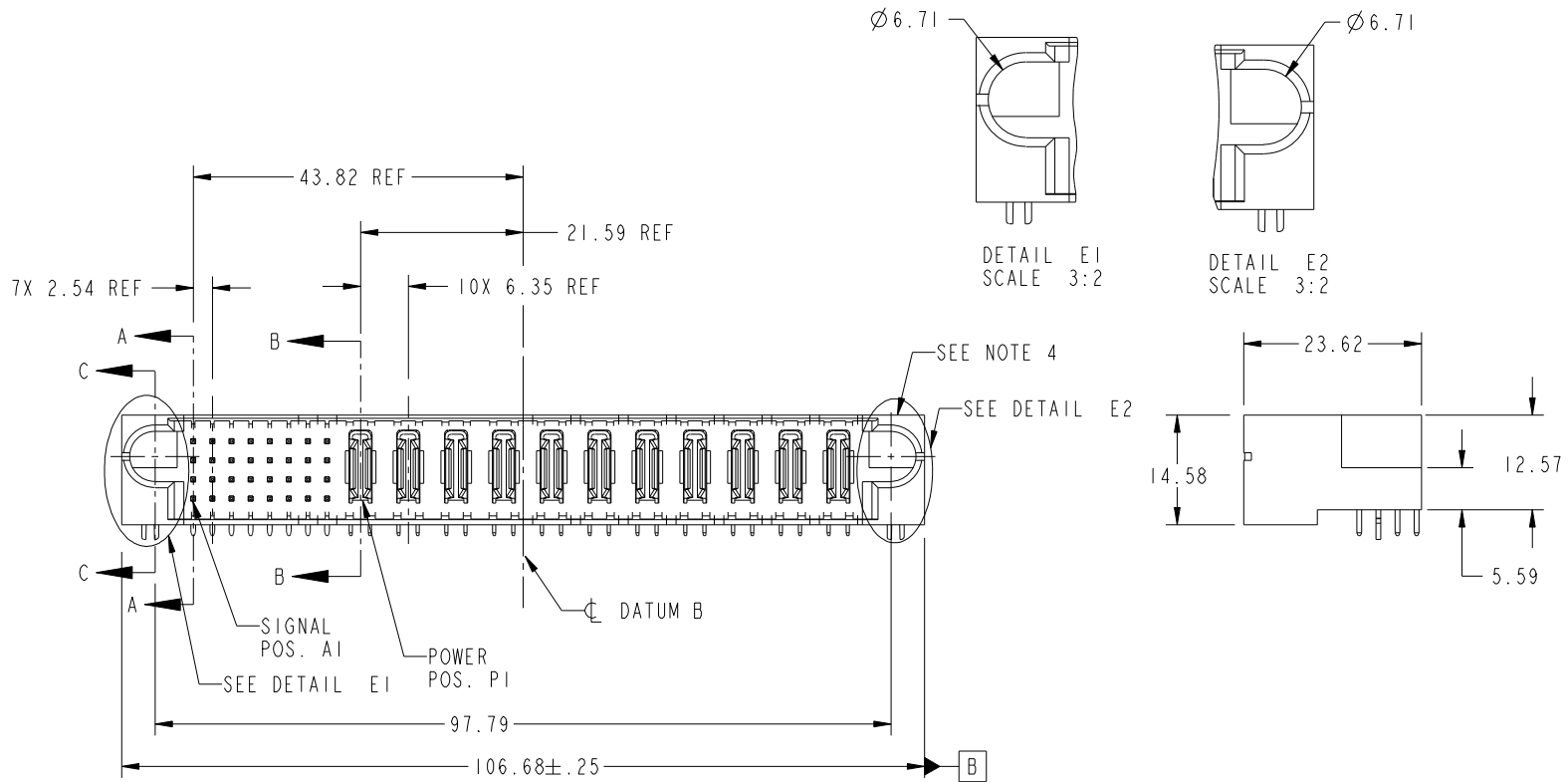
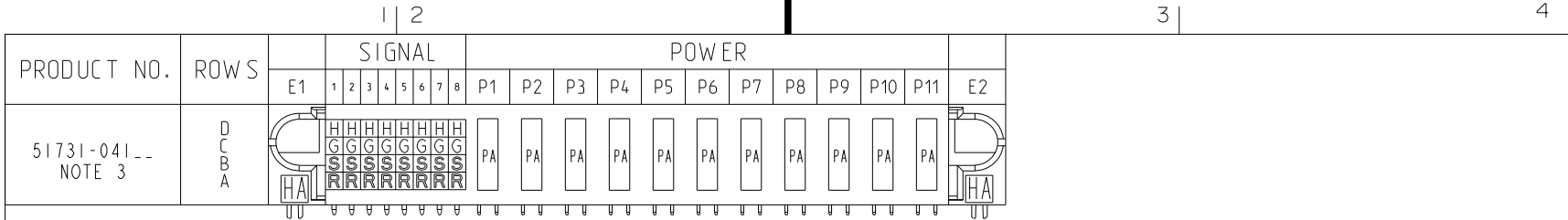


Tous droits strictement réservés. Reproduction ou communication a des tiers interdite sous quelque forme que ce soit sans autorisation écrite du propriétaire. Propriété de c.FCI. Droits de reproduction FCI.

All rights strictly reserved. Reproduction or issue to third parties in any form whatever is not permitted without written authority from the proprietor. Property of FCI. Copyright FCI.



CODE	DIM "M" MATING LENGTH	CONTACT TYPE
S	[6.86]	SIGNAL
R	[6.86]	SIGNAL
PA	[N/A]	POWER
HA	[N/A]	HOLD-DOWN
H	[5.59]	SIGNAL
G	[5.59]	SIGNAL

mat'l code				SEE NOTE		tolerances unless otherwise specified		CUSTOMER	
lir	ecn no.	dr	date	linear	0.X ± 0.3	COPY			
A	DG06-0399	JULIA	09/25/06	angles	0.XX ± 0.13	projection			
					0.XXX ± 0.051				
				dr	JULIA	09/25/06			
				enr	RYAN YUAN	09/25/06	product family		
				chr	BEER FU	09/25/06	PwrBlade		
				appd	JOSEPH HSIA	09/25/06	code		
sheet index	revision sheet	A 1	A 2	A 3	A 4	size		sheet	

www.fciconnect.com		title	
32S + 11P		RIGHT ANGLE SOLDER HEADER	
product family	PwrBlade	code	213
size	dwg no	sheet	1 of 4
A	51731-041		

A

B

1 | 2

Pro/E

PDM: Rev: A

STAT: Released

Printed: Dec 20, 2010

3

4

A

B

cage code 28506

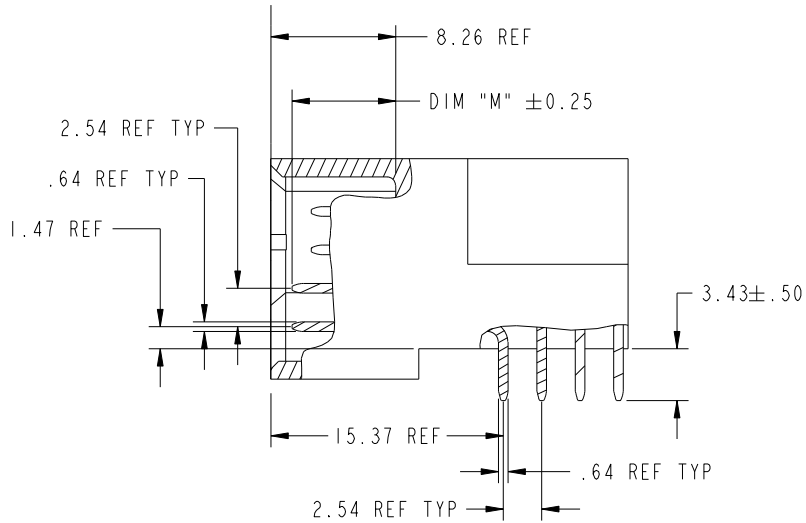
Tous droits strictement réservés. Reproduction ou communication a des tiers interdite sous quelque forme que ce soit sans autorisation écrite du propriétaire. Propriété de c.FCI. Droits de reproduction FCI.

All rights strictly reserved. Reproduction or issue to third parties in any form whatever is not permitted without written authority from the proprietor. Property of FCI. Copyright FCI.

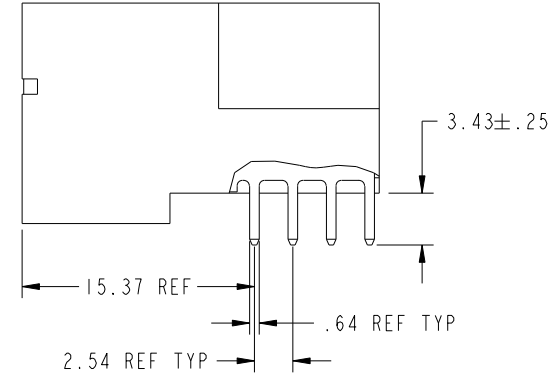


PRODUCT NUMBER

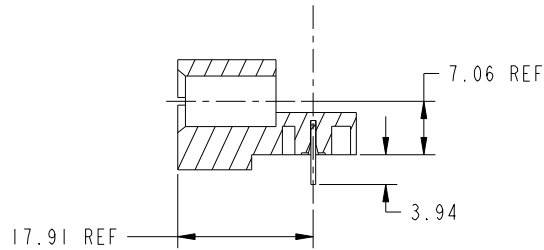
51731-041...  
NOTE: 3



BROKEN-OUT SECTION A-A  
SCALE 2:1



BROKEN-OUT SECTION B-B  
SCALE 2:1



SECTION C-C

mat'l code		SEE NOTE		tolerances unless otherwise specified		CUSTOMER		 www.fciconnect.com	
lfr	ecn no.	dr	date	linear	0.X ±0.3	COPY		title	
A				linear	0.XX ±0.13	projection		32S + IIP	
				angles	0.XXX ±0.051			RIGHT ANGLE SOLDER HEADER	
				dr	0° ±2°	 MM		product family	
				enr	JULIA 09/25/06	scale		PwrBlade	
				chr	RYAN YUAN 09/25/06	1:1		code	
				appd	BEER FU 09/25/06			213	
					JOSEPH HSIA 09/25/06			sheet	
sheet index	revision sheet							A 51731-041	
								2 of 4	

A

B

A

B

1 | 2

3 |

4

1 | 2

Pro/E

PDM: Rev: A

STAT: Released

Printed: Dec 20, 2010

cage code 28506

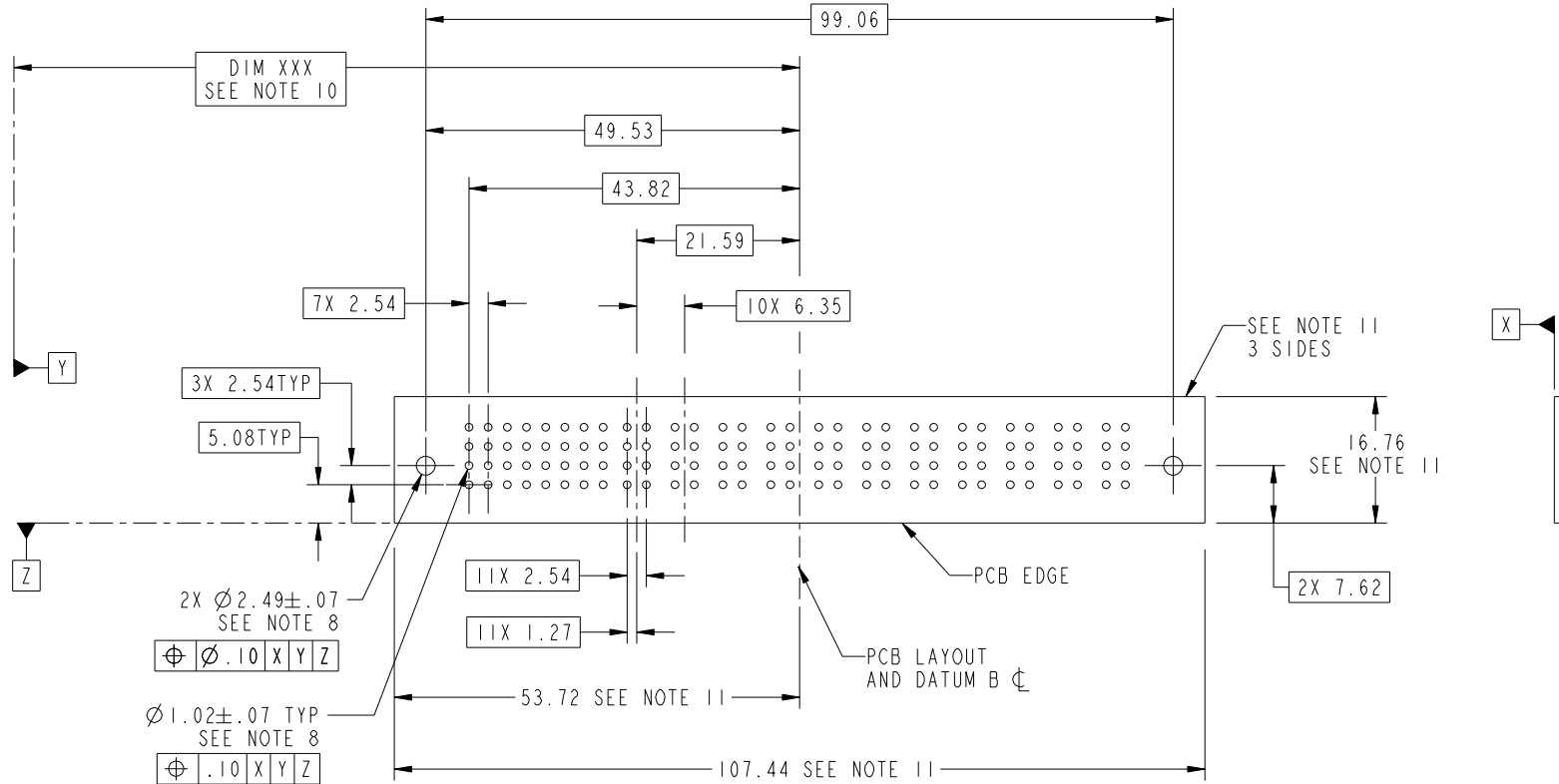
Tous droits strictement réservés. Reproduction ou communication a des tiers interdite sous quelque forme que ce soit sans autorisation écrite du propriétaire. Propriété de c.FCI. Droits de reproduction FCI.

All rights strictly reserved. Reproduction or issue to third parties in any form whatever is not permitted without written authority from the proprietor. Property of FCI. Copyright FCI.



PRODUCT NUMBER

51731-041--  
NOTE: 3



RECOMMENDED PCB LAYOUT

mat'l code		SEE NOTE		tolerances unless otherwise specified		CUSTOMER		 www.fciconnect.com		
lfr	ecn no.	dr	date	linear	0.X ± 0.3		COPY		title 32S + IIP RIGHT ANGLE SOLDER HEADER	
A					0.XX ± 0.13		projection			
					0.XXX ± 0.051					
				angles	0° ± 2°		 MM		product family PwrBlade	
				dr	JULIA	09/25/06	scale 1:1			code
				enr	RYAN YUAN	09/25/06	size	dwg no		213
				chr	BEER FU	09/25/06	A		51731-041	sheet
				appd	JOSEPH HSIA	09/25/06			3 of 4	
sheet index	revision sheet									

cage code 28556

Pro/E

PDM: Rev: A

STATUS: Released

Printed: Dec 20, 2010

Tous droits strictement réservés. Reproduction ou communication a des tiers interdite sous quelque forme que ce soit sans autorisation écrite du propriétaire. Propriété de c.FCI. Droits de reproduction FCI.

All rights strictly reserved. Reproduction or issue to third parties in any form whatever is not permitted without written authority from the proprietor. Property of FCI. Copyright FCI.



1 | 2

3

4

PRODUCT NUMBER  
51731-041--  
NOTE: 3

NOTES:

1. DIMENSIONS AND TOLERANCES ARE IN ACCORDANCE WITH ASME Y14.5M, 1994 UNLESS OTHERWISE SPECIFIED.

CONNECTOR NOTES:

- 2. HOUSING MATERIAL: UL 94 V-0 GLASS FILLED HIGH-TEMP THERMOPLASTIC  
POWER CONTACT MATERIAL: COPPER ALLOY  
SIGNAL PIN MATERIAL: COPPER ALLOY
  - 3. 51731-041;51731-041LF;51731-041GLF PLATING SPEC. SEE PRINT:10064183
  - 4. MANUFACTURER'S NAME, P/N, AND DATE CODE TO APPEAR ON THIS SURFACE.
  - 5. PRODUCT SPECIFICATION GS-12-149.  
APPLICATION SPECIFICATION BUS-20-067.
  - 6. PACKAGED IN TRAYS.
- PCB NOTES:
- 7. ALL HOLE DIAMETERS ARE FINISHED HOLE SIZE.
  - 8. MOUNTING HOLES, WHERE APPLICABLE, ARE UNPLATED.
  - 9.  $\varnothing 1.151 \pm 0.025$  DRILLED HOLES PLATED WITH 0.008 MIN SnPb OR Sn OVER 0.03 TO 0.08 Cu PLATING TO ACHIEVE  $\varnothing 1.02 \pm .07$  HOLE.
  - 10. "DIM XXX" TO BE DETERMINED BY THE CUSTOMER.
  - 11. CONNECTOR KEEP-OUT ZONE.

mat'l code				SEE NOTE		tolerances unless otherwise specified		CUSTOMER		FCI		www.fciconnect.com	
lfr	ecn no.	dr	date	linear	0.X ±0.3		COPY		projection	title			
A					0.XX ±0.13		A			32S + IIP			
					0.XXX ±0.051		MM			RIGHT ANGLE SOLDER HEADER			
				angles	0° ±2°		scale		product family		code		
				dr	JULIA	09/25/06	1:1		PwrBlade		213		
				enrg	RYAN YUAN	09/25/06	A		size		sheet		
				chr	BEER FU	09/25/06	51731-041		dwg no		4 of 4		
				appd	JOSEPH HSIA	09/25/06							
sheet index	revision sheet												

1 | 2

Pro/E

PDM: Rev: A

STATUS: Released

Printed: Dec 20, 2010

cage code 28506

4