

RECOMMENDED PCB LAYOUT

- NOTES:
1. TERMINAL MAT'L: ALLOY C26000, CARTRIDGE BRASS
  2. WAFER MAT'L: 30% GLASS FILLED LCP, 94V-0, COLOR BLACK.
  3. TERMINAL PLATING:
    - OPTION 4 - 1.54µm MIN MATTE TIN OVERALL OVER 1.25µm NICKEL OVERALL
    - OPTION 1 - 2.54µm MIN MATTE TIN OVERALL OVER 1.25µm NICKEL OVERALL
    - OPTION 2 - 1.25µm NICKEL OVERALL 2.54µm MIN SELECT MATTE TIN PC TAIL AREA 0.05-0.25µm SELECT GOLD CONTACT AREA
    - OPTION 3 - 1.25µm NICKEL OVERALL 2.54µm MIN SELECT MATTE TIN PC TAIL AREA 0.75µm SELECT GOLD CONTACT AREA
  4. HEADER ASSEMBLIES ARE TUBE PACKAGED PER PK-36518-340.
  5. ALL THE POSITIONAL TOLERANCES SHOULD BE MEASURED AT TIP OF THE TERMINALS.
  6. DATUMS SHOULD BE CONSIDERED FROM THE EDGES OF THE HOUSING.
  7. POSITION TOLERANCE OF PIN AT MATING SIDE SHOULD BE MAINTAINED AT 0.3MM IN THE FINAL MODULE BY CUSTOMER.
  8. [G] DENOTES DIMENSIONS THAT CAN BE QUALIFIED WITH A GAUGE
  9. **BLADE GEOMETRY DOES NOT CONFORM TO USCAR SPECIFICATIONS.**

|  |                 |                                       |  |                 |              |   |   |                        |
|--|-----------------|---------------------------------------|--|-----------------|--------------|---|---|------------------------|
| Position Tol. del. added<br>EC NO: 12017-0047<br>DRWNR:GV<br>CHKD:<br>APPR:VUTTARKAR<br>2016/11/11<br>2017/01/24 | QUALITY SYMBOLS | GENERAL TOLERANCES (UNLESS SPECIFIED) |  | DIMENSION STYLE |              | SCALE   | DESIGN UNITS  | THIRD ANGLE PROJECTION |
|  | ▽=0             | mm                                    | INCH   | MM ONLY         |              | 4:1   | METRIC  |                        |
|  | ▽=0             | 4 PLACES ± ---                        | ± ---  | DRAWN BY        |              | DATE  | TITLE   |                        |
|  | ▽=0             | 3 PLACES ± ---                        | ± ---  | TMCLELL         |              | 1/18/05   | MX150 DUAL ROW UNSHROUDED VERTICAL HEADER ASSEMBLY  |                        |
|  | 2 PLACES ± 0.13 | ± ---                                 | CHECKED BY   |                 | DATE         | <b>molex</b><br>DOCUMENT NO. SD-75757-002<br>SHEET NO. 1 OF 2 |   |                        |
|  | 1 PLACE ± 0.25  | ± ---                                 | TMCLELL  |                 | 1/18/05      |   |   |                        |
|  | 0 PLACE ±       | ±                                     | APPROVED BY  |                 | DATE         |   |   |                        |
|  |                 |                                       | BANAK I S  |                 | 1/18/05      |   |   |                        |
|  |                 |                                       | ANGULAR ±1/2°  |                 | MATERIAL NO. |   |   |                        |
|  |                 |                                       | DRAFT WHERE APPLICABLE MUST REMAIN WITHIN DIMENSIONS |                 | SEE CHART    |   |   |                        |
|  |                 |                                       |  |                 | SIZE A 2     |   | THIS DRAWING CONTAINS INFORMATION THAT IS PROPRIETARY TO MOLEX INCORPORATED AND SHOULD NOT BE USED WITHOUT WRITTEN PERMISSION |                        |

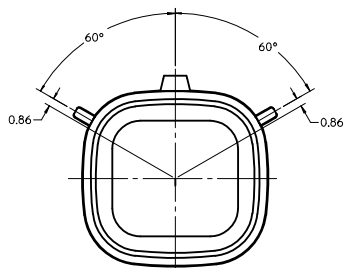
|          |                |                 |         |         |                 |         |         |                 |         |         |         |             |
|----------|----------------|-----------------|---------|---------|-----------------|---------|---------|-----------------|---------|---------|---------|-------------|
| 2 x 2    | 1              | 75757-5121      | 3.05    | 16.09   | 75757-1121      | 3.05    | 11.20   | 75757-1122      | 4.75    | 11.20   | 7.0     | 3.50<br>REF |
|          | 2              | 75757-5221      |         |         | 75757-1221      |         |         | 75757-1222      |         |         |         |             |
|          | 3              | 75757-5321      |         |         | 75757-1321      |         |         | 75757-1322      |         |         |         |             |
|          | 4              | 75757-5421      |         |         | 75757-1421      |         |         | 75757-1422      |         |         |         |             |
| 2 x 3    | 1              | 75757-5131      | 3.05    | 16.09   | 75757-1131      | 3.05    | 11.20   | 75757-1132      | 4.75    | 11.20   | 10.5    | 7.00        |
|          | 2              | 75757-5231      |         |         | 75757-1231      |         |         | 75757-1232      |         |         |         |             |
|          | 3              | 75757-5331      |         |         | 75757-1331      |         |         | 75757-1332      |         |         |         |             |
|          | 4              | 75757-5431      |         |         | 75757-1431      |         |         | 75757-1432      |         |         |         |             |
| 2 x 4    | 1              | 75757-5141      | 3.05    | 16.09   | 75757-1141      | 3.05    | 11.20   | 75757-1142      | 4.75    | 11.20   | 14.0    | 10.50       |
|          | 2              | 75757-5241      |         |         | 75757-1241      |         |         | 75757-1242      |         |         |         |             |
|          | 3              | 75757-5341      |         |         | 75757-1341      |         |         | 75757-1342      |         |         |         |             |
|          | 4              | 75757-5441      |         |         | 75757-1441      |         |         | 75757-1442      |         |         |         |             |
| 2 x 6    | 1              | 75757-5161      | 3.05    | 16.09   | 75757-1161      | 3.05    | 11.20   | 75757-1162      | 4.75    | 11.20   | 21.0    | 17.50       |
|          | 2              | 75757-5261      |         |         | 75757-1261      |         |         | 75757-1262      |         |         |         |             |
|          | 3              | 75757-5361      |         |         | 75757-1361      |         |         | 75757-1362      |         |         |         |             |
|          | 4              | 75757-5461      |         |         | 75757-1461      |         |         | 75757-1462      |         |         |         |             |
| 2 x 8    | 1              | 75757-5181      | 3.05    | 16.09   | 75757-1181      | 3.05    | 11.20   | 75757-1182      | 4.75    | 11.20   | 28.0    | 24.50       |
|          | 2              | 75757-5281      |         |         | 75757-1281      |         |         | 75757-1282      |         |         |         |             |
|          | 3              | 75757-5381      |         |         | 75757-1381      |         |         | 75757-1382      |         |         |         |             |
|          | 4              | 75757-5481      |         |         | 75757-1481      |         |         | 75757-1482      |         |         |         |             |
| 2 x 10   | 1              | 75757-5101      | 3.05    | 16.09   | 75757-1101      | 3.05    | 11.20   | 75757-1102      | 4.75    | 11.20   | 35.0    | 31.50       |
|          | 2              | 75757-5201      |         |         | 75757-1201      |         |         | 75757-1202      |         |         |         |             |
|          | 3              | 75757-5301      |         |         | 75757-1301      |         |         | 75757-1302      |         |         |         |             |
|          | 4              | 75757-5401      |         |         | 75757-1401      |         |         | 75757-1402      |         |         |         |             |
| CKT SIZE | PLATING OPTION | MATERIAL NUMBER | *C* DIM | *F* DIM | MATERIAL NUMBER | *C* DIM | *F* DIM | MATERIAL NUMBER | *C* DIM | *F* DIM | *A* DIM | *B* DIM     |

|   |                                      |                                       |  |                                   |                 |   |                              |                        |  |  |
|---|--------------------------------------|---------------------------------------|--|-----------------------------------|-----------------|---|------------------------------|------------------------|--|--|
| <b>SEE SHEET 1</b><br>EC NO: I2017-0047<br>DRAWN BY: G<br>CHKD:<br>APPR: VITTARKAR 2017/04/24                                 | QUALITY SYMBOLS<br>∇=0<br>∇=0<br>∇=0 | GENERAL TOLERANCES (UNLESS SPECIFIED) |  | DIMENSION STYLE<br><b>MM ONLY</b> |                 | SCALE<br>1:1  | DESIGN UNITS<br>METRIC       | THIRD ANGLE PROJECTION |  |  |
|   |                                      |                                       |  | DRAWN BY<br>TMCLELL               | DATE<br>1/18/05 | TITLE<br>MX150 DUAL ROW UNSHROUDED VERTICAL HEADER ASSEMBLY |                              |                        |  |  |
|   |                                      |                                       |  | CHECKED BY<br>TMCLELL             | DATE<br>1/18/05 | <b>molex</b>  |                              |                        |  |  |
|   |                                      |                                       |  | APPROVED BY<br>BANAKIS            | DATE<br>1/18/05 | MATERIAL NO.<br>SEE CHART                                   | DOCUMENT NO.<br>SD-75757-002 | SHEET NO.<br>2 OF 2    |  |  |
| DRAFT WHERE APPLICABLE MUST REMAIN WITHIN DIMENSIONS  |                                      |                                       |  |                                   |                 |   |                              |                        |  |  |
| THIS DRAWING CONTAINS INFORMATION THAT IS PROPRIETARY TO MOLEX INCORPORATED AND SHOULD NOT BE USED WITHOUT WRITTEN PERMISSION |                                      |                                       |  |                                   |                 |   |                              |                        |  |  |

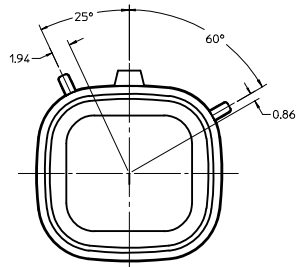
### CUSTOMER SHROUD DESIGN DETAILS

**NOTES:**

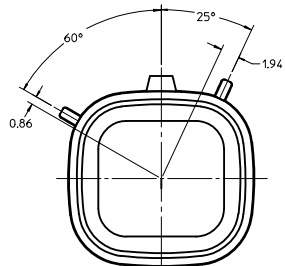
1. REFER TO MOLEX SALES DRAWING SD-75757-002 FOR THE HEADER ASSEMBLY PRODUCT DETAILS AND RECOMMENDED PCB LAYOUT.
2. KEYING OPTIONS A-D AND SUGGESTED COLORS COMPLY TO THE POLARIZATION STANDARDS ESTABLISHED FOR MATING WITH A MX150 FEMALE CONNECTOR.
3. INTERIOR SHROUD SURFACE MUST BE FREE OF DEFECTS AND PARTING LINES ALL AROUND TO ENSURE PROPER SEALING OF THE MATING MX150 FEMALE CONNECTOR.
4. A FULL SHROUD ON THE MATING CONNECTOR IS REQUIRED TO INSURE THE HEADER SHROUD POLARIZATION FEATURES (OPTIONS A-D) WILL FUNCTION PROPERLY. THE FULL SHROUD ALSO PREVENTS SCOOP DAMAGE TO THE HEADER CONTACTS.
5. PERMISSIBLE DRAFT ANGLE 0.25° MAXIMUM.
6. RADII ON ALL CORNERS SHOWN SHARP OR ALL UNSPECIFIED RADII 0.25 EXCEPT AS NOTED.
7. DIMENSIONS SHOWN ABOUT A CENTERLINE ARE SYMMETRICAL ABOUT THAT CENTERLINE WITHIN HALF THE SPECIFIED TOLERANCE.



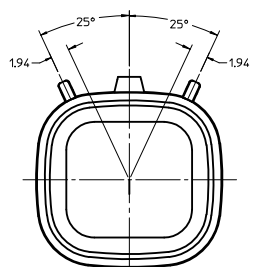
**KEYING OPTION "A"**  
SUGGESTED COLOR: BLACK



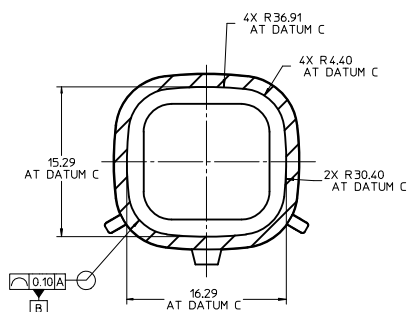
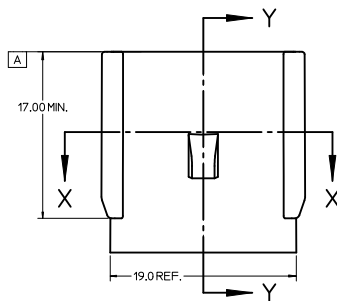
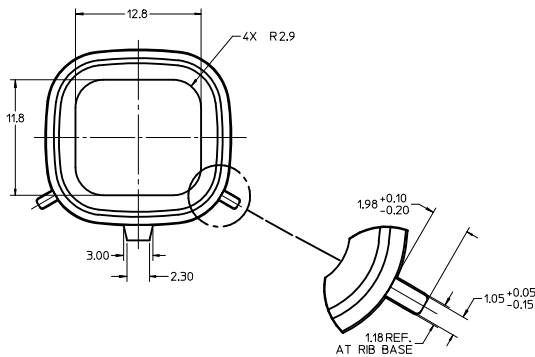
**KEYING OPTION "B"**  
SUGGESTED COLOR: GREY



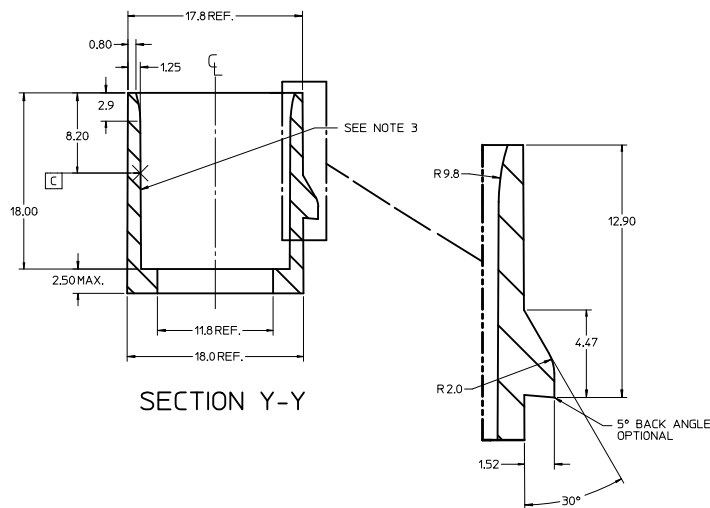
**KEYING OPTION "C"**  
SUGGESTED COLOR: BROWN



**KEYING OPTION "D"**  
SUGGESTED COLOR: GREEN



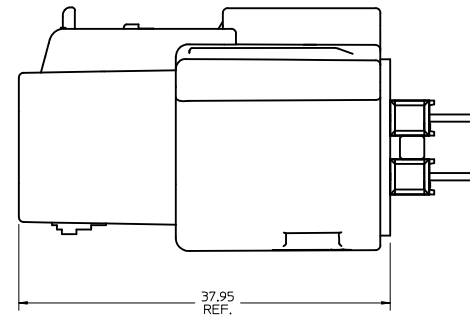
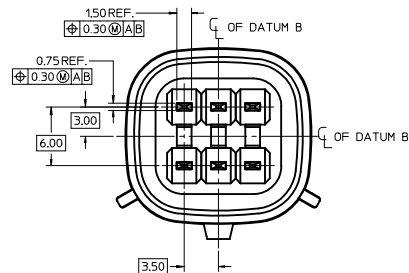
**SECTION X-X**



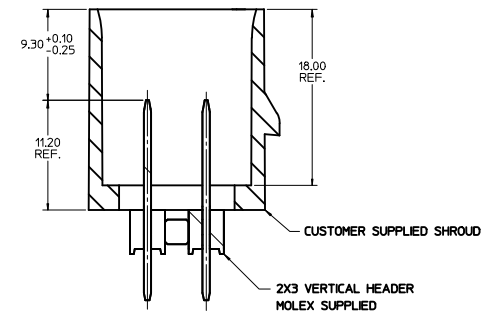
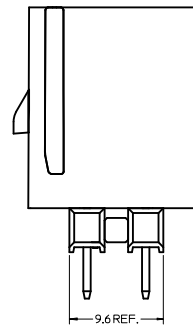
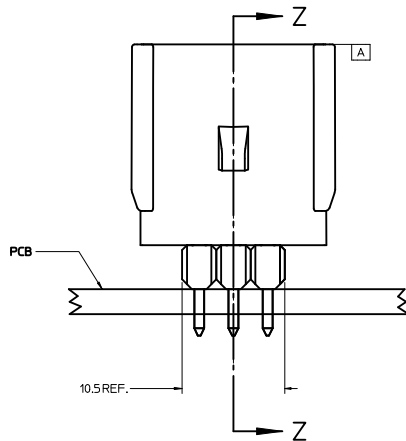
**SECTION Y-Y**

|   |                                      |  |                |  |              |                        |                        |   |
|---|--------------------------------------|--|----------------|--|--------------|------------------------|------------------------|---|
| <b>ADDED PLUG ASSY</b><br>EC NO: UCF2011-2680<br>CHYD: DRWN:ROSCA<br>APPR: JCOMERCL<br>2011/03/07<br>2011/03/07 | <b>QUALITY SYMBOLS</b><br>▽=0<br>▽=0 | <b>GENERAL TOLERANCES (UNLESS SPECIFIED)</b> |                | <b>DIMENSION STYLE</b><br>MM ONLY                          | SCALE<br>4:1 | DESIGN UNITS<br>METRIC | THIRD ANGLE PROJECTION |   |
|   |                                      | 4 PLACES ±0.15                               | 3 PLACES ±0.10 | 2 PLACES ±0.01   | 1 PLACE ±0.2 | DRAWN BY<br>TMCLELL    | DATE<br>2006/04/26     | TITLE<br>APPLICATION SPEC<br>2X3 MX150 HEADER<br>SHROUD DETAILS |
|   |                                      | ANGULAR ±1/2°                                |                | DRAFT WHERE APPLICABLE<br>MUST REMAIN<br>WITHIN DIMENSIONS |              | APPROVED BY<br>BANAKIS | DATE<br>2006/04/28     | MOLEX INCORPORATED  |
|   |                                      | MATERIAL NO.<br>75757-2030                   |                | DOCUMENT NO.<br>AS-75757-203                               |              | SHEET NO.<br>1 OF 2    |                        |   |

NOTES:  
 1. ADHERENCE TO THE HEADER APPLICATION DETAILS IS IMPERATIVE TO ENSURE PROPER SHROUD SEALING AND CONTACT ALIGNMENT WHEN MATED WITH A MX150 FEMALE CONNECTOR.



CONNECTOR ASSEMBLY



SECTION Z-Z

HEADER APPLICATION DETAILS

|   |                 |   |   |       |                    |  |
|---|-----------------|---|---|-------|--------------------|--|
| SEE SHEET 1<br>IEC NO. UCP2011-2680<br>DRAWN BY: DRW:DROROSCA<br>CHKD:<br>APPR.: JCOMERCL<br>2011/03/04<br>2011/03/07 | QUALITY SYMBOLS | GENERAL TOLERANCES (UNLESS SPECIFIED)   | DIMENSION STYLE   | SCALE | DESIGN UNITS       | THIRD ANGLE PROJECTION                                 |
|   | ▽=0<br>▽=0      | mm<br>INCH  | MM ONLY   | 4:1   | METRIC             |  |
|   |                 | 4 PLACES ±<br>3 PLACES ±<br>2 PLACES ±0.01<br>1 PLACE ±0.2  | DRAWN BY: TMCLELL<br>DATE: 2006/04/26<br>CHECKED BY: TMCLELL<br>DATE: 2006/04/26<br>APPROVED BY: BANAKI S<br>DATE: 2006/04/28 |       |                    | APPLICATION SPEC<br>2X3 MX150 HEADER<br>SHROUD DETAILS |
|   |                 | ANGULAR ±1/2°   | MATERIAL NO. 75757-2030<br>DOCUMENT NO. AS-75757-203  |       | MOLEX INCORPORATED | SHEET NO. 2 OF 2                                       |
| DRAFT WHERE APPLICABLE MUST REMAIN WITHIN DIMENSIONS  |                 | THIS DRAWING CONTAINS INFORMATION THAT IS PROPRIETARY TO MOLEX INCORPORATED AND SHOULD NOT BE USED WITHOUT WRITTEN PERMISSION |   |       |                    |  |