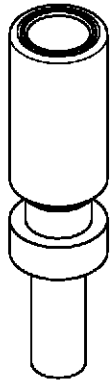
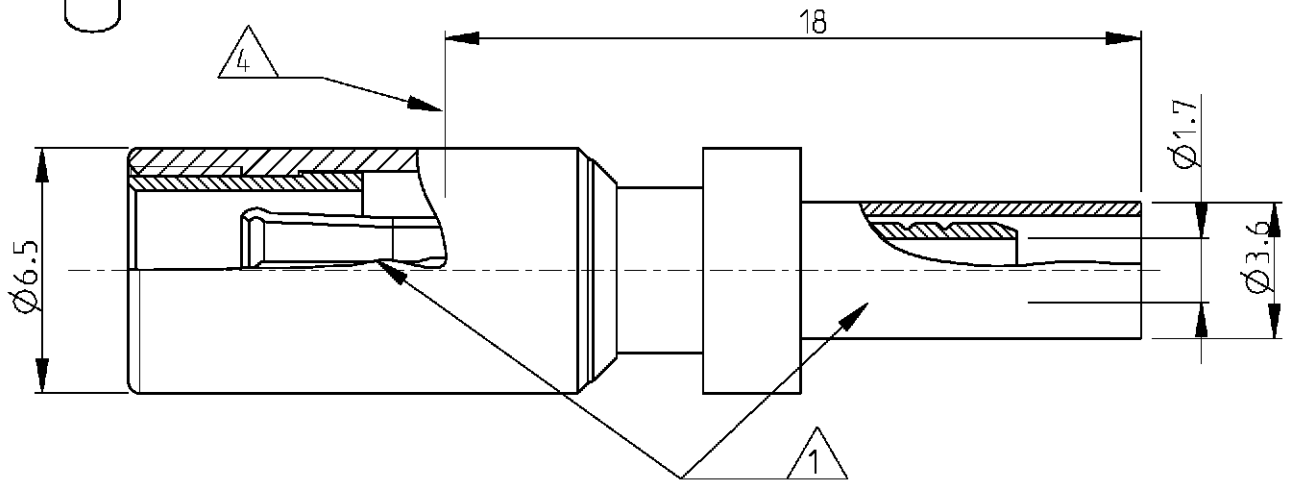


LOC	DIST	REVISIONS				
P	LTR	DESCRIPTION	DATE	DWN	APVD	
GW	-	A	-	05APR2001	CM KM	



2:1



- △4 Reference plane
- 3. Cable type : RG179 B/U
- 2. Mating face according to DIN 47297 and CECC 22230
- △1 Supplied as loose part



1:1

V23614-A102-A57	5-1393670-5	Dielectric	PTFE	
		Outer Con.	Cu Be	1µm Au min in contact area
		Center Con.	Brass	1µm Au min in contact area
Old Nr	Tyco Nr	Description	Material	Plating

2000

RELEASED FOR PUBLICATION

THIS DRAWING IS UNPUBLISHED.

© COPYRIGHT 2000 BY TYCO ELECTRONICS CORPORATION. ALL RIGHTS RESERVED.

DIMENSIONS: mm	DWN MOROBE	02APR2001	MATERIAL	-	FINISH	-
	CHR MATTHEUWS	4apr2001	Tyco Electronics Oostkamp - Belgium			
TOLERANCES UNLESS OTHERWISE SPECIFIED:	APVD BOZZER	5APR2001				
0 PLC ±	PRODUCT SPEC	108-71032	NAME CABLE PLUG 1.0/2.3 75 Ohm			
1 PLC ±0.5	APPLICATION SPEC	114-71009	SIZE	CAGE CODE	DRAWING NO	RESTRICTED TO
2 PLC ±0.13	WEIGHT	-	A 4	00779	©=5-1393670-5	-
3 PLC ±0.013			SCALE 5/1 SHEET 1 OF 1 REV A			
4 PLC ±0.0001						
ANGLES ±						