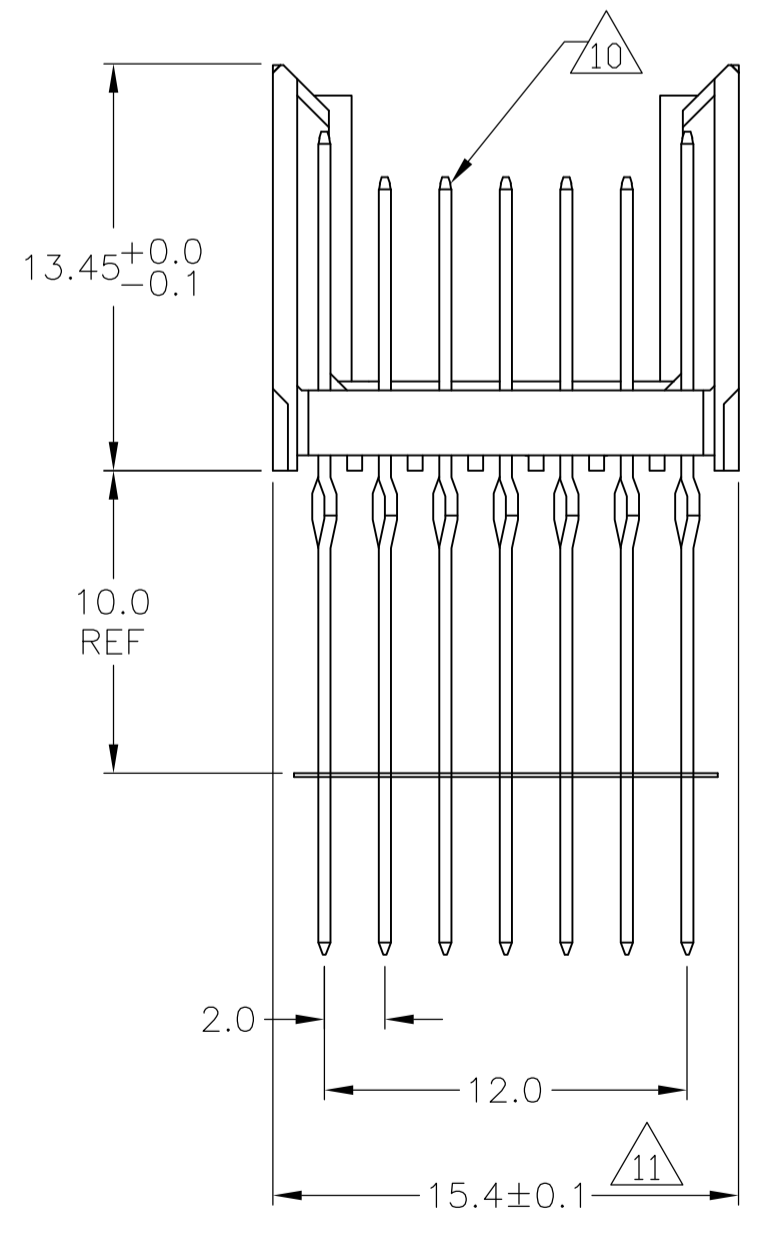
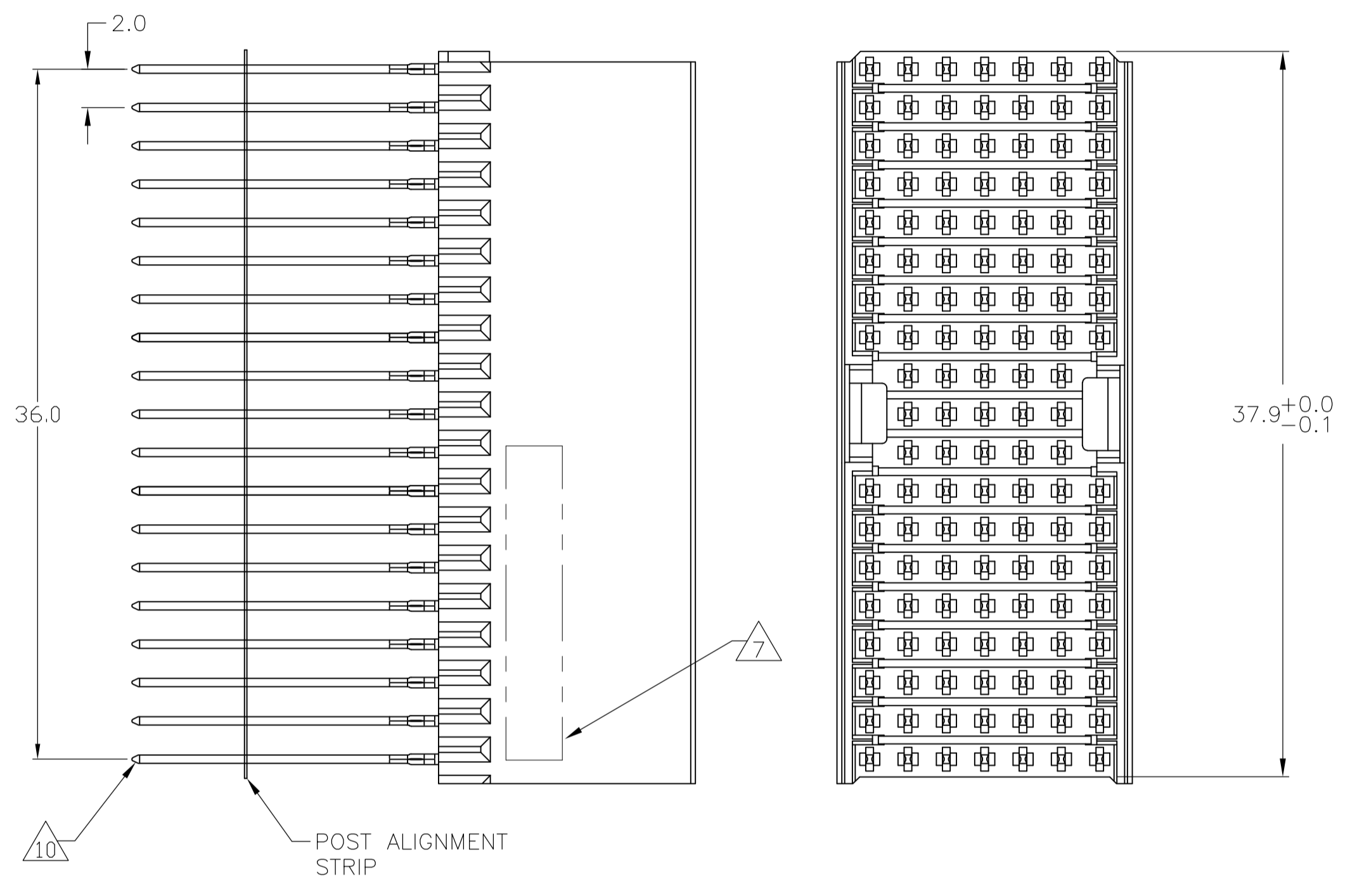
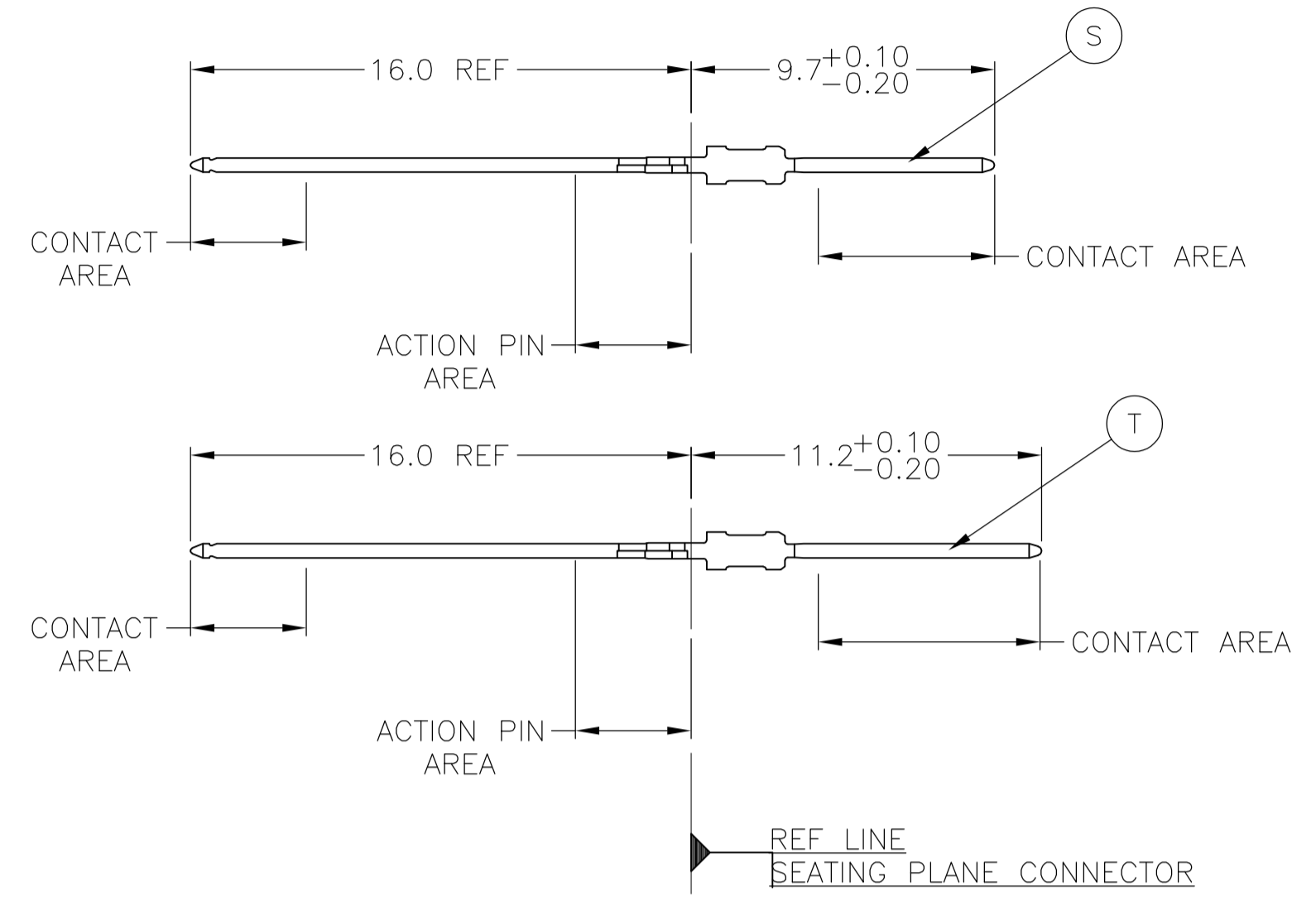


LOC		DIST		REVISIONS					
AD	00	REV	PER	EC	DATE	BY	CHK		
		0	REV	PER	EC	0512-0318-04	01AUG05	BC	GS
		A	ECR	-10-	019054		15SEP10	DP	MQW

CONNECTOR ASSEMBLY EXAMPLARY LOADED



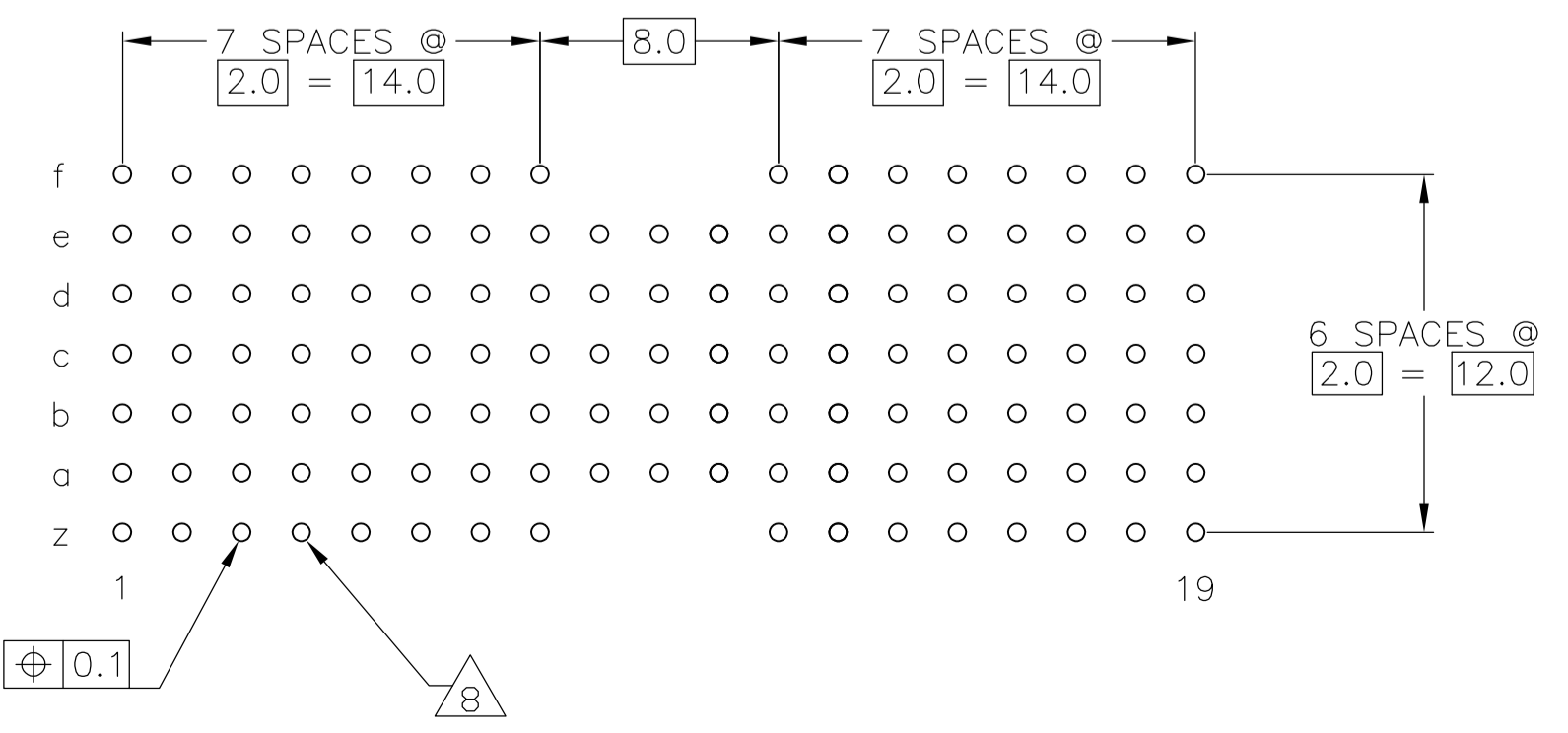
CONTACT DIMENSIONS SCALE 5:1



CONTACT LAYOUT

	z	a	b	c	d	e	f
1	T	S	S	S	S	S	T
2	T	S	S	S	S	S	T
3	T	S	S	S	S	S	T
4	T	S	S	S	S	S	T
5	T	S	S	S	S	S	T
6	T	S	S	S	S	S	T
7	T	S	S	S	S	S	T
8	T	S	S	S	S	S	T
9		S	S	S	S	S	
10		S	S	S	S	S	
11		S	S	S	S	S	
12	T	S	S	S	S	S	T
13	T	S	S	S	S	S	T
14	T	S	S	S	S	S	T
15	T	S	S	S	S	S	T
16	T	S	S	S	S	S	T
17	T	S	S	S	S	S	T
18	T	S	S	S	S	S	T
19	T	S	S	S	S	S	T

RECOMMENDED PCB-HOLE LAYOUT COMPONENT SIDE SHOWN



PLATED THRU HOLES PARAMETERS REFERENCE APPLICATION SPECIFICATION


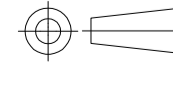
2 6 12	1-5646917-9
2 5 12	5646917-9
2 4 4	5646917-4
2 3 3	5646917-1
FINISH	PART NUMBER

THIS DRAWING IS A CONTROLLED DOCUMENT.

DIMENSIONS: mm	TOLERANCES UNLESS OTHERWISE SPECIFIED:	DIN B CARBO 01AUG05	APVD G SKIPPER 01AUG05	Tyco Electronics Corporation Harrisburg, Pa 17105-3608
0-PLC ±	1-PLC ±0.1	APVD G SKIPPER 01AUG05	NAME	MALE ASSEMBLY, Z-PACK 2mm HM, TYPE A/B
2-PLC ±	3-PLC ±	APVD G SKIPPER 01AUG05	PRODUCT SPEC	108-19082
4-PLC ±	ANGLES ±	APVD G SKIPPER 01AUG05	APPLICATION SPEC	114-19029
MATERIAL	FINISH SEE TABLE	WEIGHT	SIZE	CAGE CODE
1			A1	00779
			DRAWING NO	DRAWING NO
			5646917	5646917
			CUSTOMER DRAWING	SCALE 4:1
				SHEET 1 OF 2
				REV A

LOC	DIST	REVISIONS			
P	LTR	DESCRIPTION	DATE	DN	APVO
AD	00	SEE SHEET 1	-	-	-

- 1 MATERIAL:
CONTACT: PHOSPHOR BRONZE.
HOUSING: GLASS-FILLED POLYESTER.
- 2 GENERAL PLATING SPECIFICATION: UNDERPLATING
(ENTIRE CONTACT): 1.27µm MIN NICKEL AND ACTION
PIN: 0.5µm MIN TIN.
FOR PLATING OF MATING SURFACES SEE APPLICABLE
SPECIFICATION REFERENCE FOR EACH DASH NUMBER.
- 3 CONFORMS TO ALL TESTING ACCORDING TO IEC 61076-4-101
PERFORMANCE LEVEL 2.
- 4 CONFORMS TO ALL TESTING ACCORDING TO IEC 61076-4-101
PERFORMANCE LEVEL 1.
- 5 CONNECTOR TESTED AND QUALIFIED AGAINST TELCORDIA GR-1217-CORE QUALITY LEVEL 3,
CENTRAL OFFICE APPLICATIONS.
- 6 CONNECTOR TESTED AND QUALIFIED AGAINST TELCORDIA GR-1217-CORE QUALITY LEVEL 3,
UNCONTROLLED ENVIROMENT APPLICATIONS.
- 7 CONNECTOR MARKED WITH PART NUMBER AND DATE CODE.
ADDITIONAL CHARACTERS OR MARKINGS, AS WELL AS THE LOCATION OF THE MARKINGS,
MAY BE ADDED FOR TRACEABILITY BASED UPON MANUFACTURERS DISCRETION.
- 8 PLATED-THROUGH HOLES AT 2x2mm SQUARE GRID
PATTERN DEFINED BY CONTACT LAYOUT.
- 9 FOR ACTUAL PIN LOADING SEE "CONTACT LAYOUT".
- 10 FOR ACTUAL PIN DIMENSIONS SEE "CONTACT DIMENSIONS".
- 11 TO BE MEASURED AT BOTTOM OF SHROUD.
- 12 CONNECTOR LUBRICATED WITH BELCORE APPROVED LUBRICANT,
TECHNICAL REFERENCE: TR-NWT-001217 ISSUE 1, SEP 1992.

THIS DRAWING IS A CONTROLLED DOCUMENT.		DIN E CARBO	01AUG05	 Tyco Electronics Corporation Harrisburg, Pa 17105-3608
		CHK G SKIPPER	01AUG05	
		APVO G SKIPPER	01AUG05	NAME
		MALE ASSEMBLY, Z-PACK 2mm HM, TYPE A/B		
DIMENSIONS: mm		TOLERANCES UNLESS OTHERWISE SPECIFIED:		RESTRICTED TO
		0-PLC ±	±0.2	SIZE
		1-PLC ± 0.1		108-19082
2-PLC ±	APPLICATION SPEC	114-19029		
3-PLC ±	PRODUCT SPEC	114-19029		
MATERIAL SEE SHEET 1		FINISH SEE SHEET 1		WEIGHT
				A1 00779 C=5646917
		CUSTOMER DRAWING		SCALE 4:1 SHEET 2 OF 2 REV A