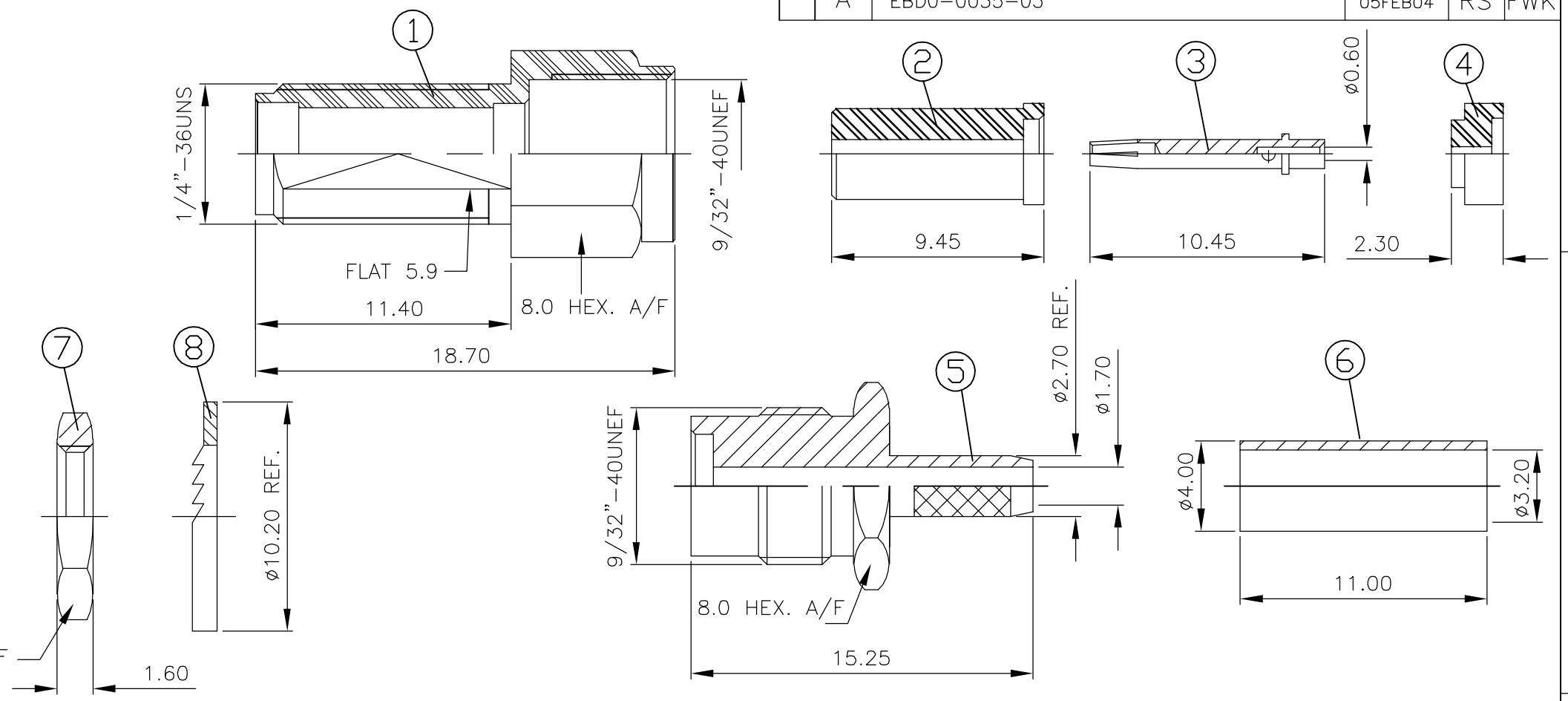


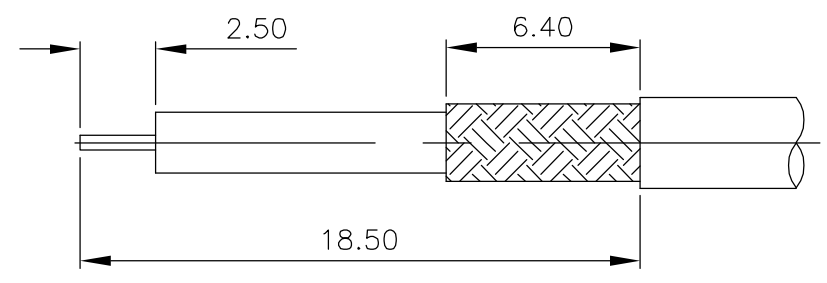
THIS DRAWING IS UNPUBLISHED. RELEASED FOR PUBLICATION APRIL, 2004.
 © COPYRIGHT 2004 BY TYCO ELECTRONICS CORPORATION. ALL RIGHTS RESERVED.

LOC	DIST	REVISIONS					
E	B	P	LTR	DESCRIPTION	DATE	DWN	APVD
		A		EBD0-0035-03	05FEB04	RS	FWK

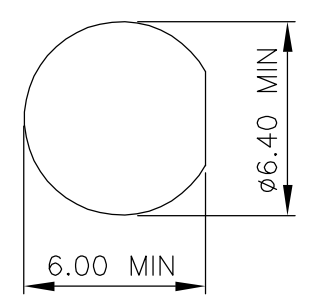
- NOTES:
- ① SINGLE PACK IN ACCORDANCE WITH SPEC 107-3275
 - ② 100 TRAY PACK IN ACCORDANCE WITH SPEC 107-3275
 - ③ 0.08µm Au PLATING OVER 1.27µm Ni PLATING
 - ④ 0.76µm Au PLATING OVER 1.27µm Ni PLATING OVER 0.76µm Cu PLATING
 - ⑤ PASSIVATED
 - ⑥ PLATING AS PER BODY, EXCEPT FOR PASSIVATED WHICH IS NICKEL PLATED
 - 7 HAND TOOL 9-1478240-0
 - 8 DIE SET 9-1478248-0
 - 9 FOR TECHNICAL DATA REFER TO YOUR LOCAL TYCO ELECTRONICS SALES OFFICE
 - 10 ALL DIMENSIONS ARE NOMINAL FOR REFERENCE ONLY UNLESS OTHERWISE STATED



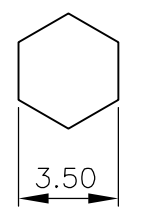
RECOMMENDED CABLE STRIPPING DIM'S



RECOMMENDED MOUNTING HOLE DIM'S



RECOMMENDED CRIMP SLEEVE A/F HEX



				1	1	1	1	STAINLESS STEEL	⑥	WASHER	8
				1	1	1	1	STAINLESS STEEL	⑥	NUT	7
				1	1	1	1	BRASS	⑥	CRIMP SLEEVE	6
				1	1	-	-	STAINLESS STEEL	⑤	BODY	5
				-	-	1	1	STAINLESS STEEL	③	BODY	5
				1	1	1	1	PTFE		INSULATOR	4
				1	1	1	1	BERYLLIUM COPPER	④	CENTER SOCKET	3
				1	1	1	1	PTFE		INSULATOR	2
				1	1	-	-	STAINLESS STEEL	⑤	SHELL	1
				-	-	1	1	STAINLESS STEEL	③	SHELL	1
				2--1	2--0	1--1	1--0	MATERIAL		DESCRIPTION	ITEM
				②	①	②	①				

THIS DRAWING IS A CONTROLLED DOCUMENT.		DWN R.SMITH 05FEB04	Tyco Electronics Corporation Bideford, UK, EX39 4HE	
DIMENSIONS: mm		CHK S.PARLOW 05FEB04		
TOLERANCES UNLESS OTHERWISE SPECIFIED:		APVD F.WHEELER-KING 05FEB04	NAME	
0 PLC ± -		PRODUCT SPEC	SMA STRAIGHT BULKHEAD, JACK SOLDER PIN, CRIMP ATTACHMENT	
1 PLC ± -		108-3460	RG188A/U, RG316/U, RG174A/U, URM95, KX3B, 22A	
2 PLC ± -		APPLICATION SPEC	SIZE	CAGE CODE
3 PLC ± -		411-3276	A3	00779
4 PLC ± -		WEIGHT	DRAWING NO	
ANGLES ± -		-	C-1478959	
FINISH			RESTRICTED TO	
SEE TABLE			-	
CUSTOMER DRAWING			SCALE 1:1	SHEET 1 OF 1
			REV A	