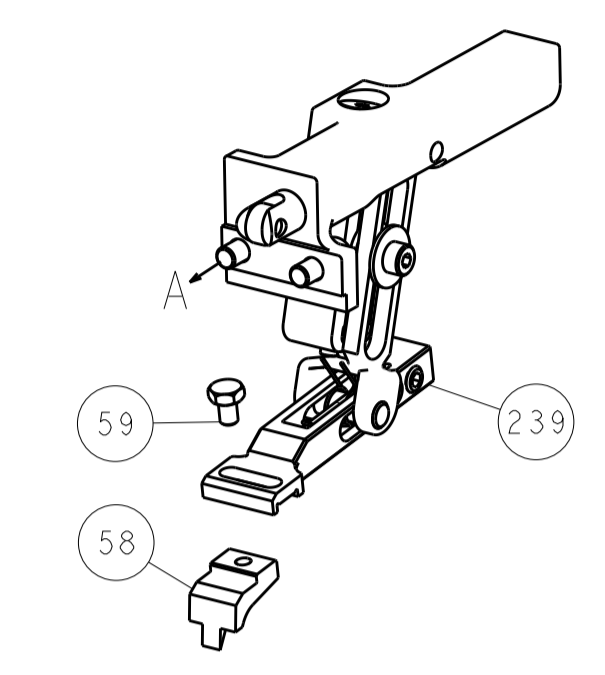


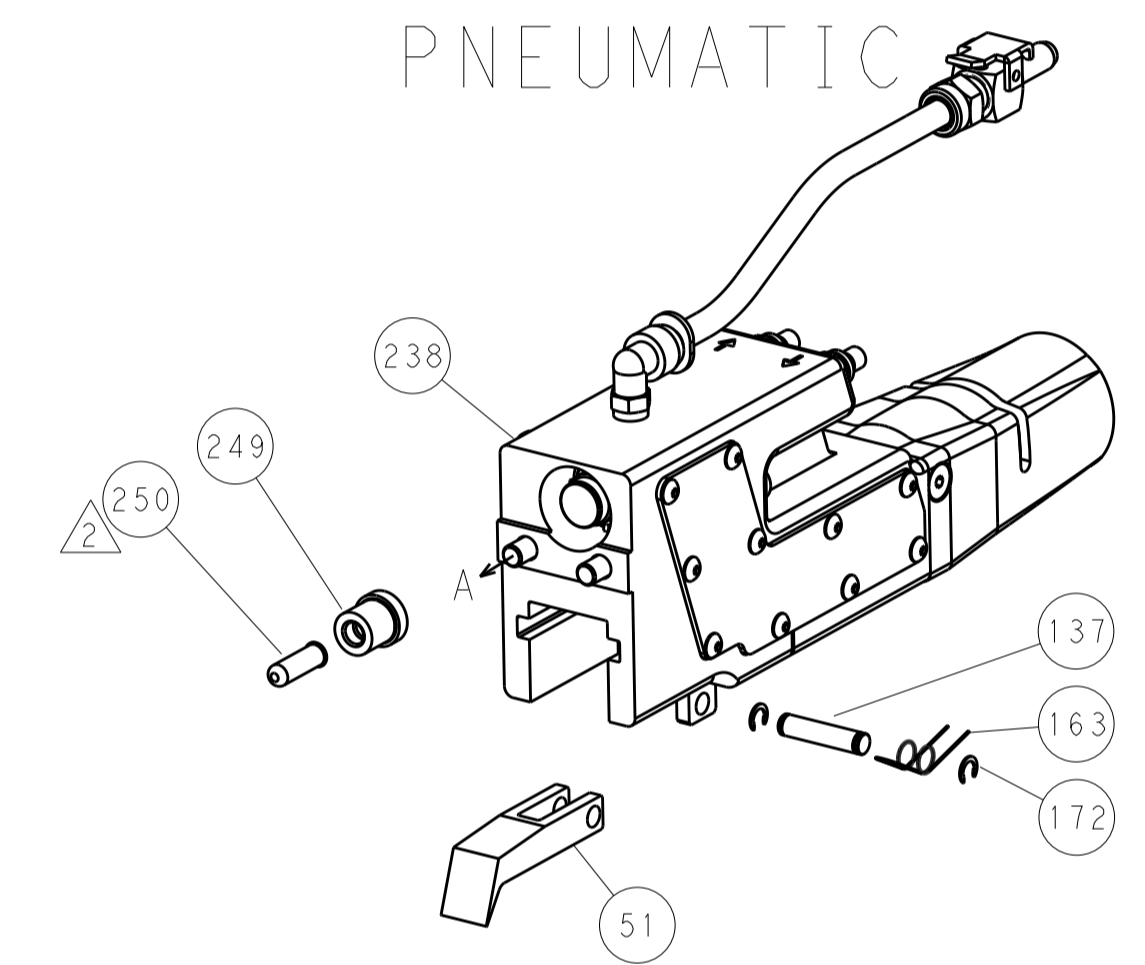


LOC		DIST		REVISIONS			
A	66	P	LTM	DESCRIPTION	DATE	DMN	APVD
		-	-	SEE SHEET 1	-	-	-

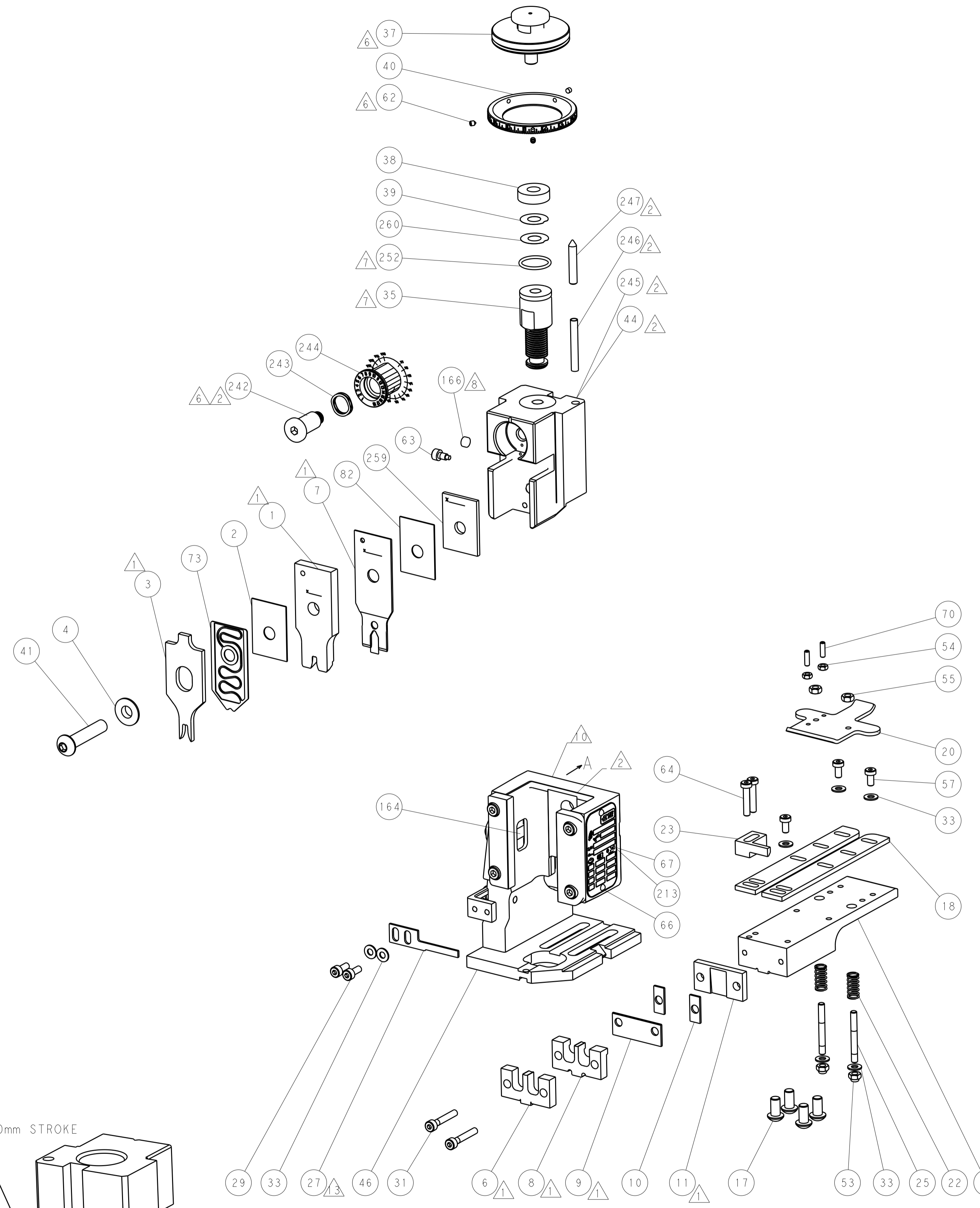
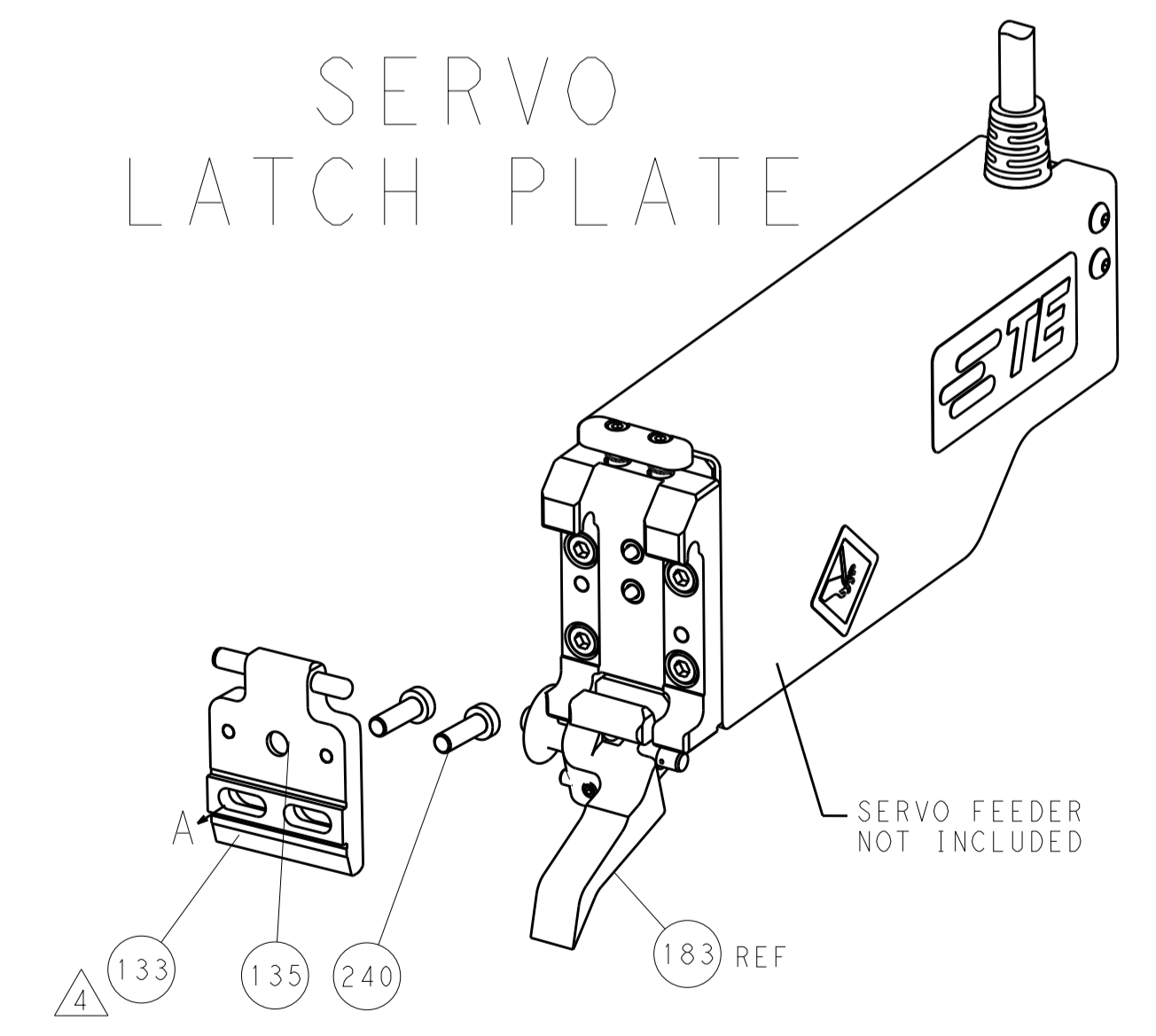
# FEED TYPE MECHANICAL



# PNEUMATIC



# SERVO LATCH PLATE



# CAM POSITIONS



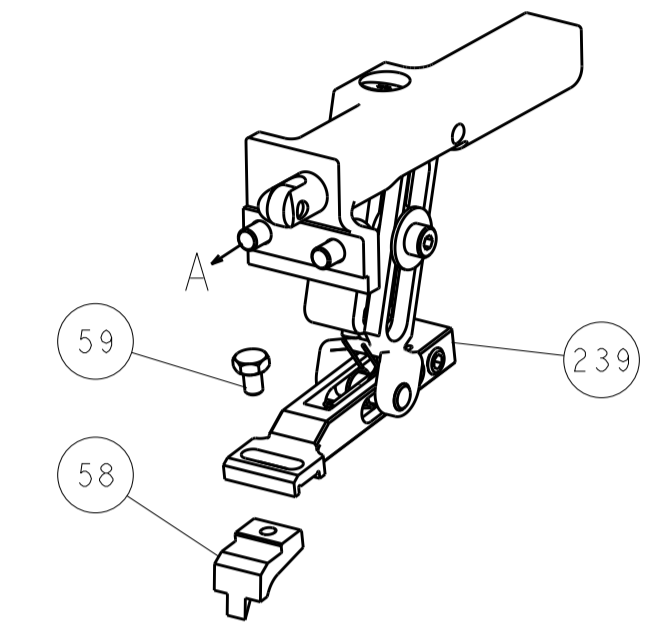
**ATLANTIC VERSION**  
 Shown on sheets 1 of 4 & 2 of 4  
 (Pacific version shown on sheets 3 of 4 & 4 of 4)

DIMENSIONS:		TOLERANCES UNLESS OTHERWISE SPECIFIED:		DWG		TE Connectivity	
mm	0 PLC ±0.5	1 PLC ±0.5	2 PLC ±0.13	3 PLC ±0.013	14NOV2013	Harrisburg, PA 17105-3608	
	4 PLC ±0.001	ANGLES ±0.001	FINISH	APVD	14NOV2013	NAME	
MATERIAL				U. GUO		Ocean End Feed Applicator	
						SIZE	RESTRICTED TO
						A1 00779	Customer Accessible Production Drawing
						SCALE	1:1
						SHEET	2 of 4
						REV	C

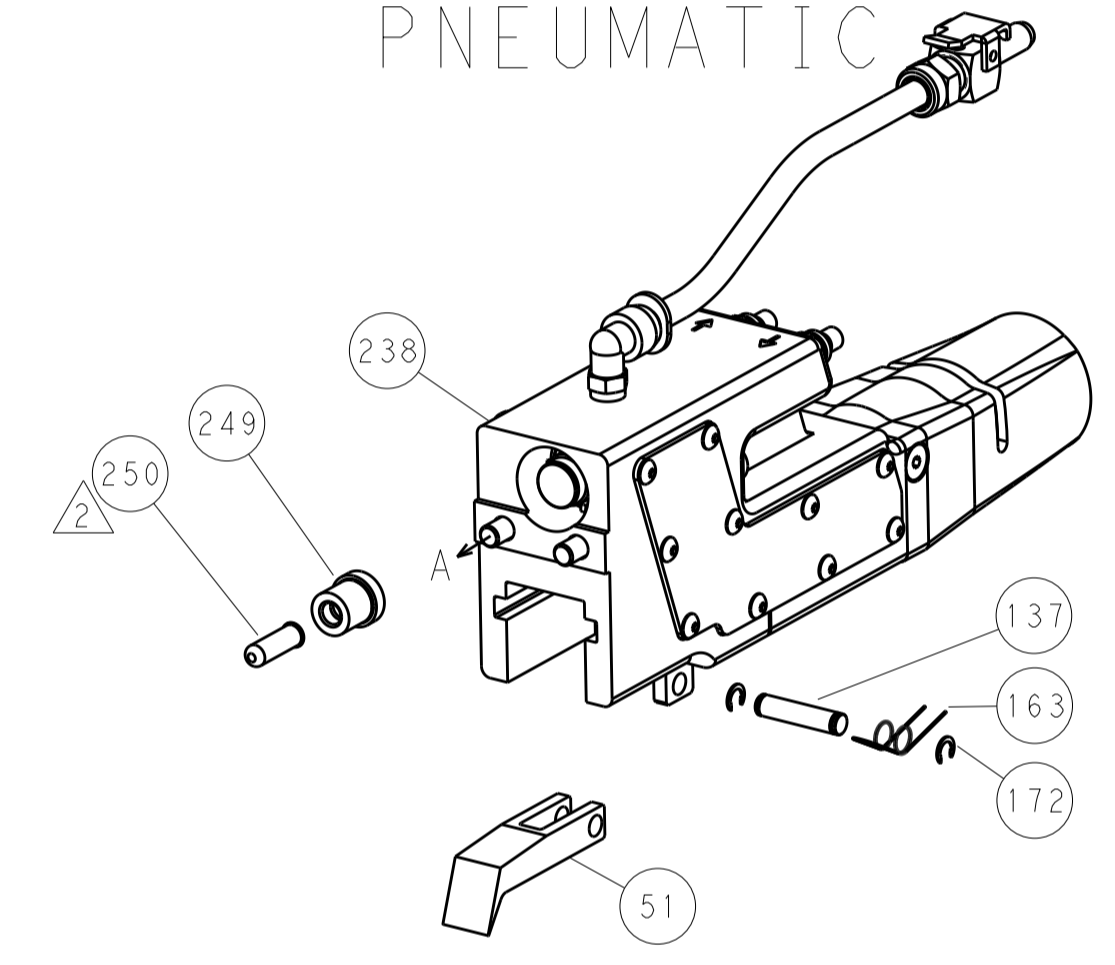


LOC		DIST		REVISIONS			
A	66	P	LTM	DESCRIPTION	DATE	OWN	APVD
		-	-	SEE SHEET 1	-	-	-

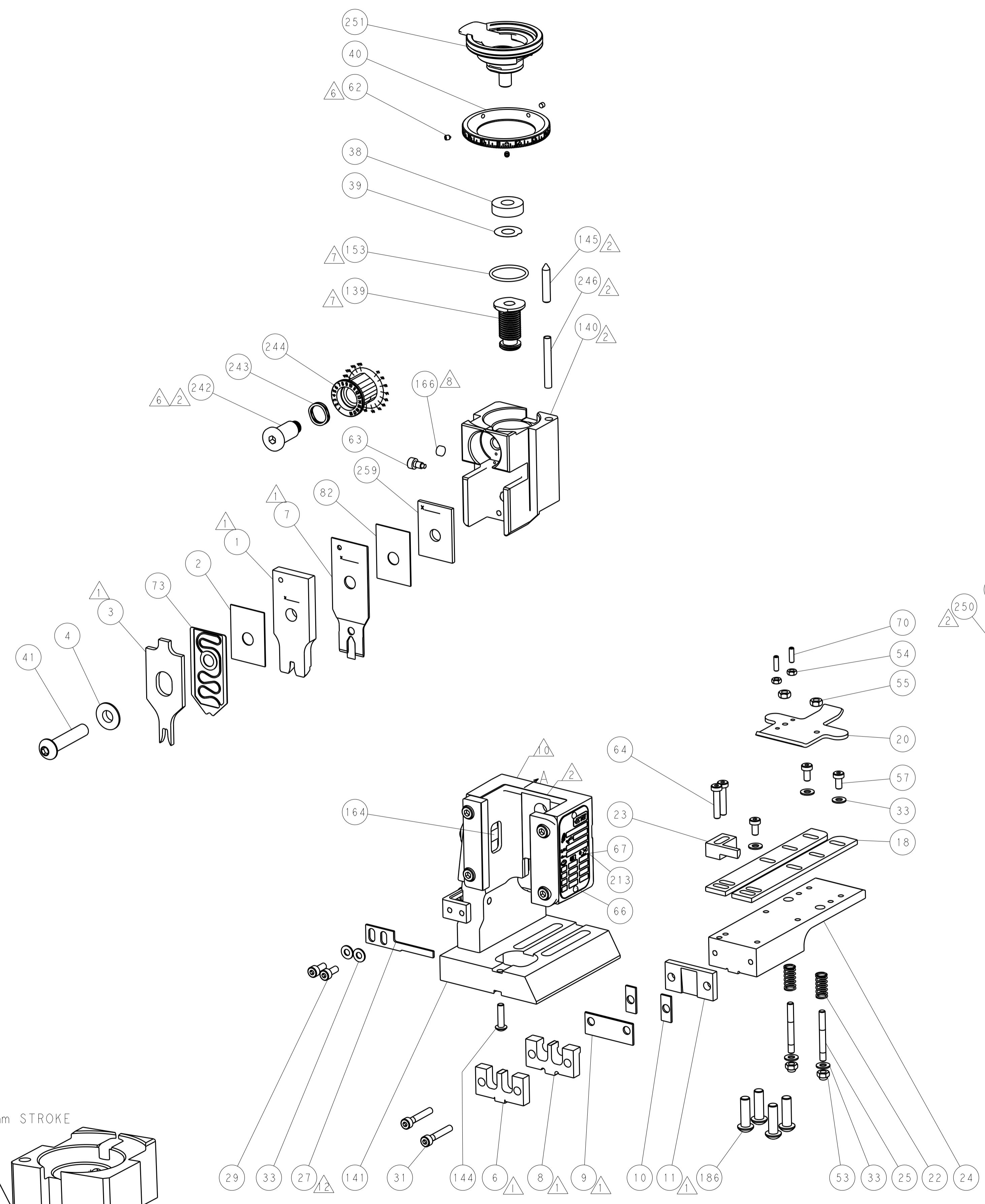
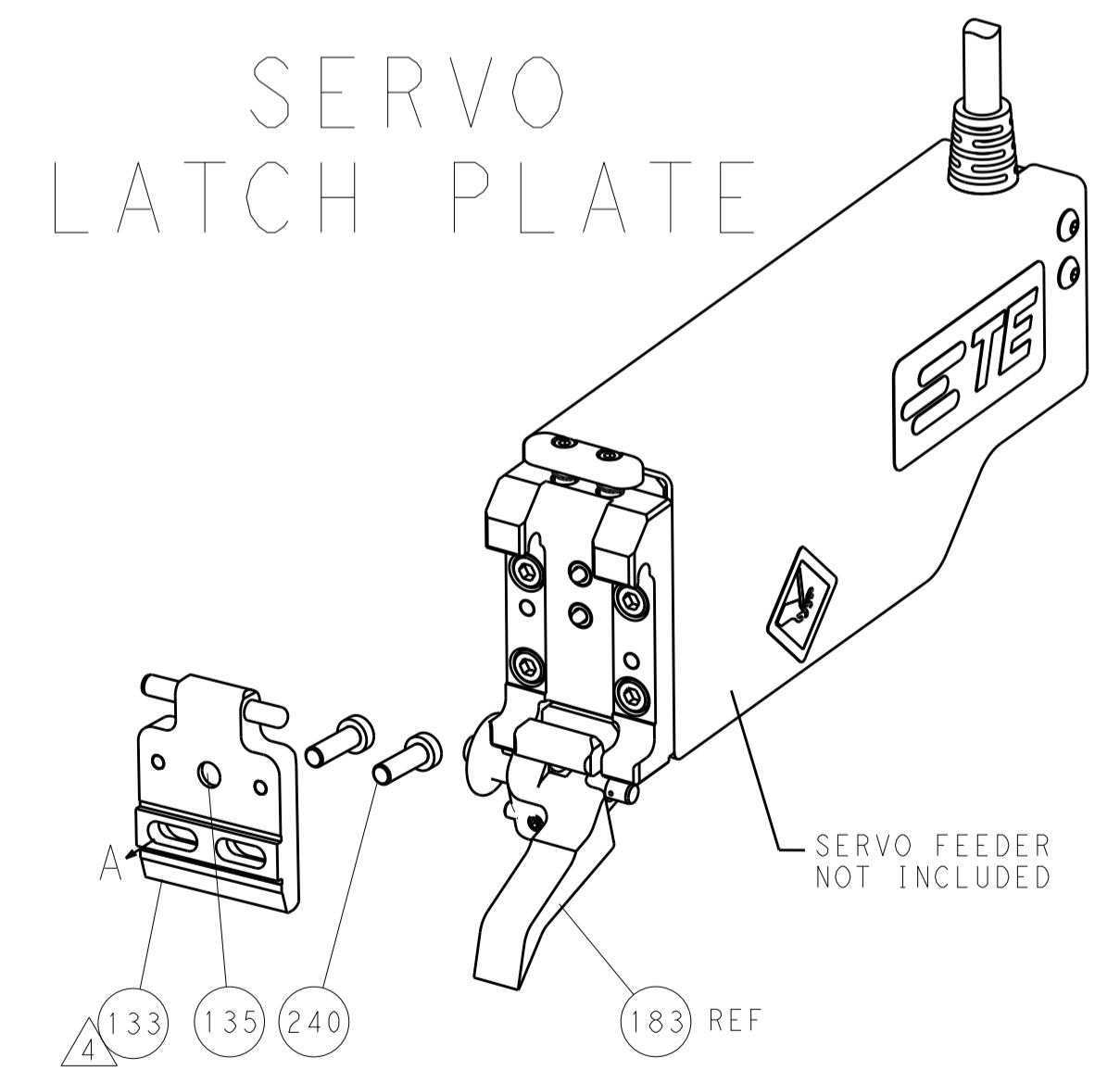
FEED TYPE  
MECHANICAL



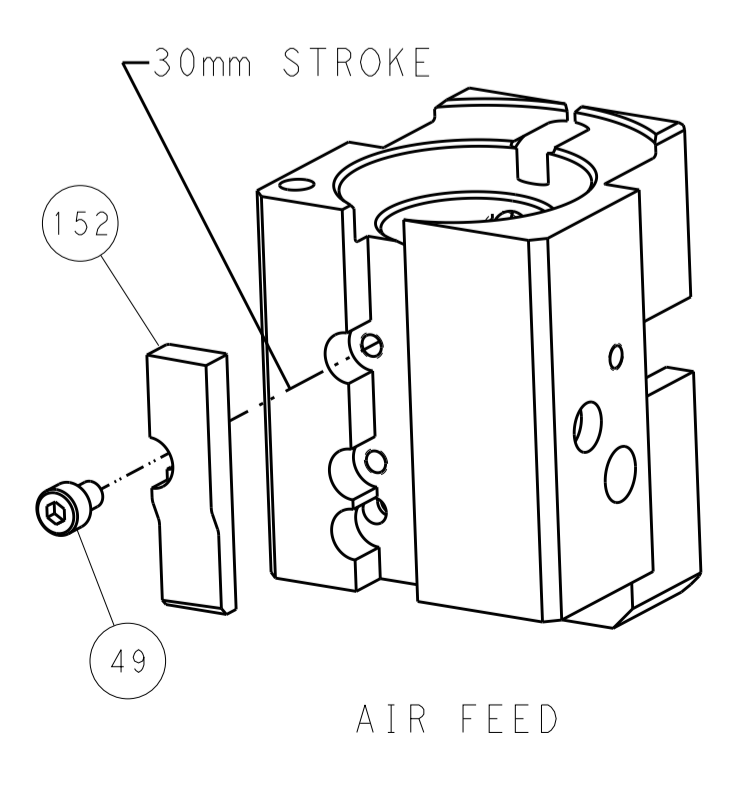
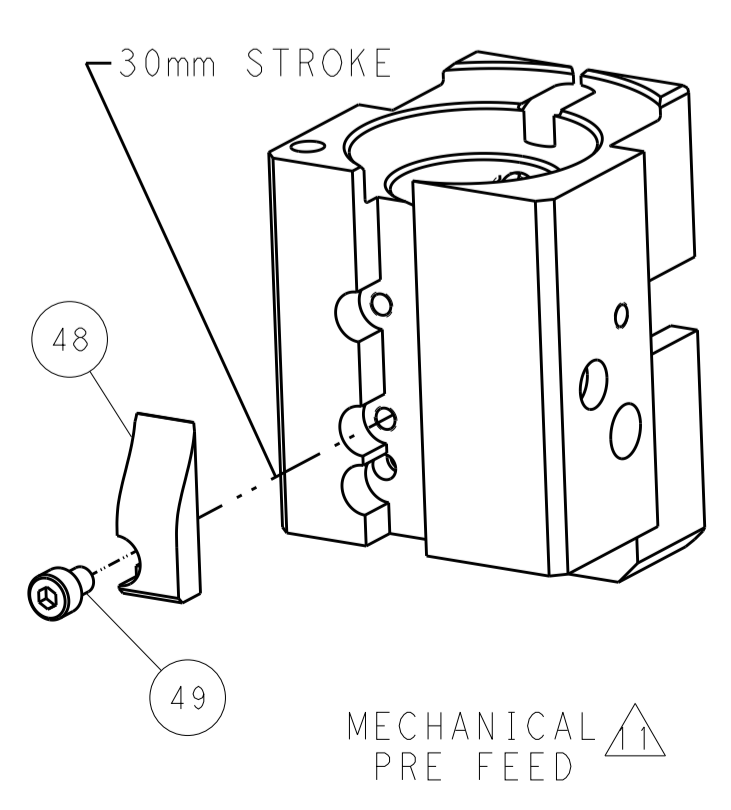
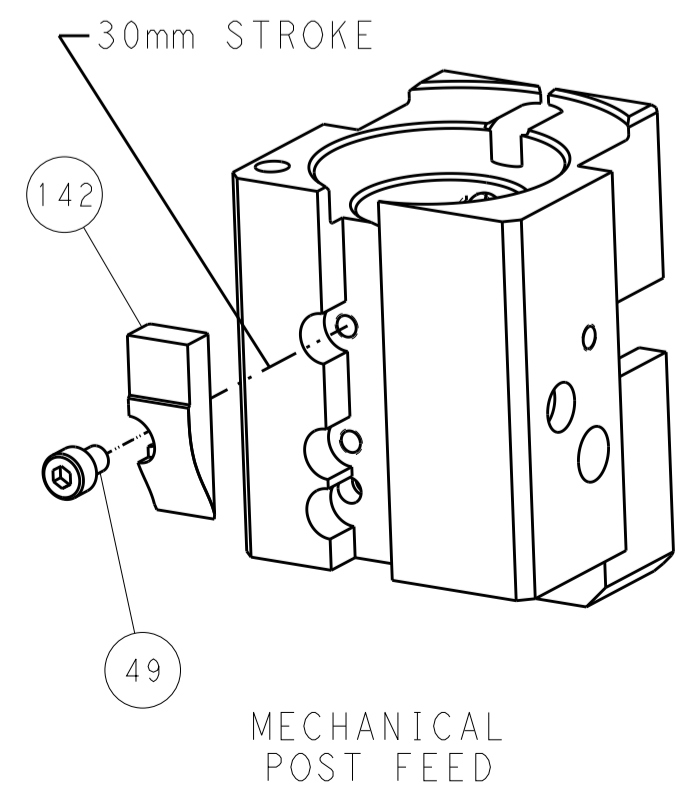
PNEUMATIC



SERVO LATCH PLATE



CAM POSITIONS



PACIFIC VERSION  
 Shown on sheets 3 of 4 & 4 of 4  
 (Atlantic version shown on sheets 1 of 4 & 2 of 4)

DIMENSIONS:		TOLERANCES UNLESS OTHERWISE SPECIFIED:		DWG		REV		NAME	
mm	0 PLC ±0.5	1 PLC ±0.5	2 PLC ±0.13	3 PLC ±0.013	4 PLC ±0.0013	14NOV2013	14NOV2013	STE TE Connectivity Harrisburg, PA 17105-3608	
MATERIAL:	FINISH:	WEIGHT:	SCALE:	Customer Accessible Production Drawing	SCALE: 1:1	SHEET 4	OF 4	REV C	RESTRICTED TO
				PRODUCT SPEC		APPLICATION SPEC		SIZE: CAGE CODE: DRAWING NO: 00779 ©=2150226	