

**DESCRIPTION**

This UPS760e3 in the Powermite3<sup>®</sup> package is a high efficiency Schottky rectifier that is also RoHS compliant offering high current/power capabilities previously found only in much larger packages. They are ideal for SMD applications that operate at high frequencies. In addition to its size advantages, the Powermite3<sup>®</sup> package includes a full metallic bottom that eliminates the possibility of solder flux entrapment during assembly and a unique locking tab. This acts as an efficient heat path to the heat-sink mounting. Its innovative design makes this device ideal for use with automatic insertion equipment.

**IMPORTANT:** For the most current data, consult MICROSEMI's website: <http://www.microsemi.com>


**KEY FEATURES**

- Very low thermal resistance package
- RoHS Compliant with e3 suffix part number
- Guard-ring-die construction for transient protection
- Efficient heat path with Integral locking bottom metal tab
- Low forward voltage
- Full metallic bottom eliminates flux entrapment
- Compatible with automatic insertion
- Low profile-maximum height of 1mm

**ABSOLUTE MAXIMUM RATINGS AT 25° C  
(UNLESS OTHERWISE SPECIFIED)**

Rating	Symbol	Value	Unit
Peak Repetitive Reverse Voltage Working Peak Reverse Voltage DC Blocking Voltage	$V_{RRM}$ $V_{RWM}$ $V_R$	60	V
RMS Reverse Voltage	$V_{R(RMS)}$	42	V
Average Rectified Output Current	$I_o$	7	A
Non-Repetitive Peak Forward Surge Current 8.3ms Single half sine wave Superimposed on Rated Load@ $T_c = 90^\circ C$	$I_{FSM}$	100	A
Storage Temperature	$T_{STG}$	-55 to +150	°C
Junction Temperature	$T_J$	-55 to +125	°C

**APPLICATIONS/BENEFITS**

- Switching and Regulating Power Supplies
- Silicon Schottky (hot carrier) rectifier for minimal reverse voltage recovery
- Elimination of reverse-recovery oscillations to reduce need for EMI filtering
- Charge Pump Circuits
- Reduces reverse recovery loss with low  $I_{RM}$
- Small foot print   
190 X 270 mils (1:1 Actual size)  
See mounting pad details on pg 3

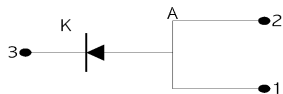
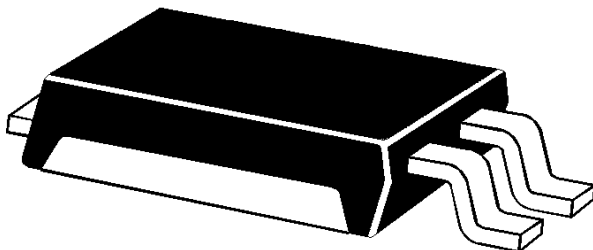
**MECHANICAL & PACKAGING**

- CASE: Void-free transfer molded thermosetting epoxy compound meeting UL94V-0
- FINISH: Annealed matte-Tin plating over copper and readily solderable per MIL-STD-750 method 2026 (consult factory for Tin-Lead plating)
- POLARITY: See figure (left)
- MARKING: S760•
- WEIGHT: 0.072 gram (approx.)
- Package dimension on last page
- Tape & Reel option: 16 mm tape per Standard EIA-481-B, 5000 on 13" reel

**THERMAL CHARACTERISTICS  
(UNLESS OTHERWISE SPECIFIED)**
**Thermal Resistance**

Junction to Case (Bottom)	$R_{\theta JC}$	2.5	°C/Watt
Junction to Ambient (1)	$R_{\theta JA}$	65	°C/Watt

(1) When mounted on FR-4 PC board using 2 oz copper with recommended minimum foot print.



**ELECTRICAL PARAMETERS @ 25°C (unless otherwise specified)**

Parameter	Symbol	Conditions	Min	Typ.	Max	Units
Forward Voltage (Note 1)	$V_{Fm}$	$I_F = 3.5 \text{ A}, T_j = 25^\circ\text{C}$ $I_F = 3.5 \text{ A}, T_j = 125^\circ\text{C}$ $I_F = 7 \text{ A}, T_j = 25^\circ\text{C}$ $I_F = 7 \text{ A}, T_j = 125^\circ\text{C}$		0.48 0.36 0.55 0.44	0.52 0.40 0.60 0.48	V
Reverse Break Down Voltage (Note 1)	$V_{BR}$	$I_R = 0.5 \text{ mA}$	60			V
Reverse Current (Note1)	$I_R$	$V_R = 60 \text{ V}, T_j = 25^\circ\text{C}$ $V_R = 60 \text{ V}, T_j = 125^\circ\text{C}$		15 10	100 20	$\mu\text{A}$ mA
Capacitance	$C_T$	$V_R = 4.0\text{V}; f = 1 \text{ MHz}$		375		pF

Note: 1 Short duration test pulse used to minimize self – heating effect.

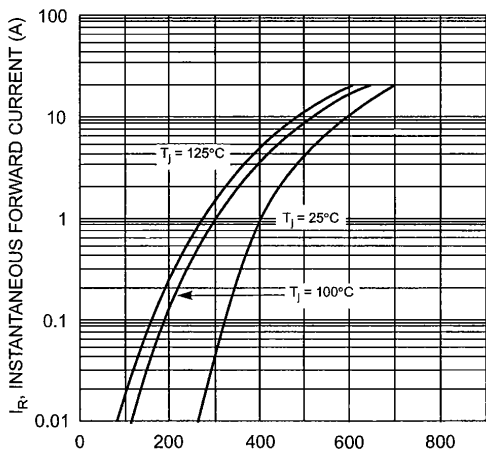


Fig. 1 Typical Forward Characteristics

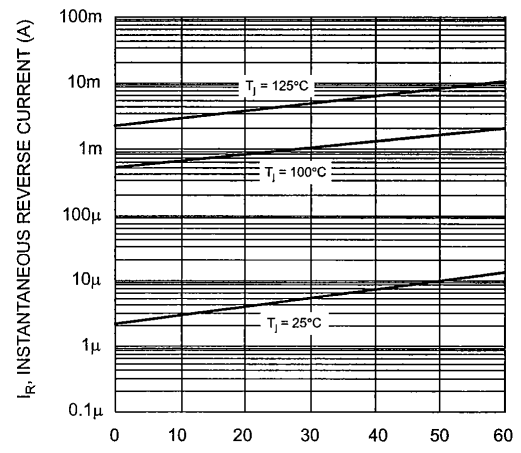


Fig. 2 Typical Reverse Characteristics

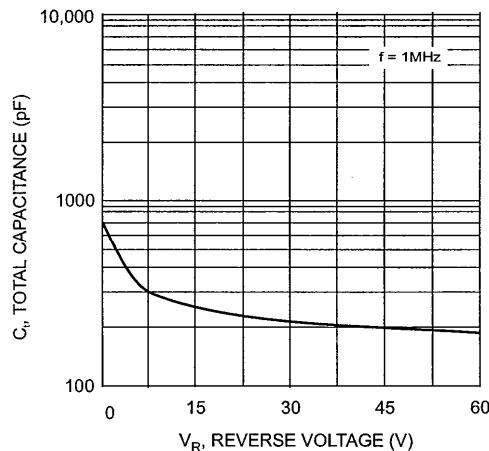


Fig. 3 Typical Capacitance vs. Reverse Voltage

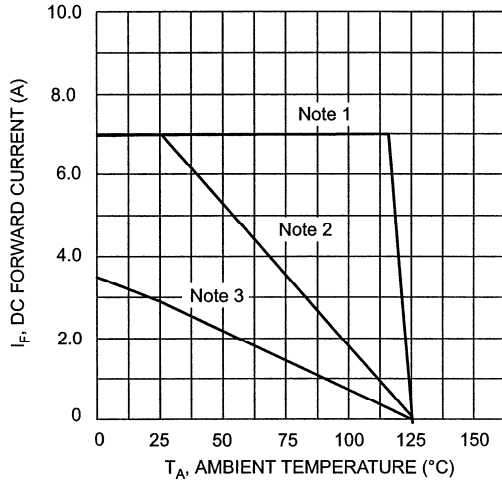


Fig. 4 DC Forward Current Derating

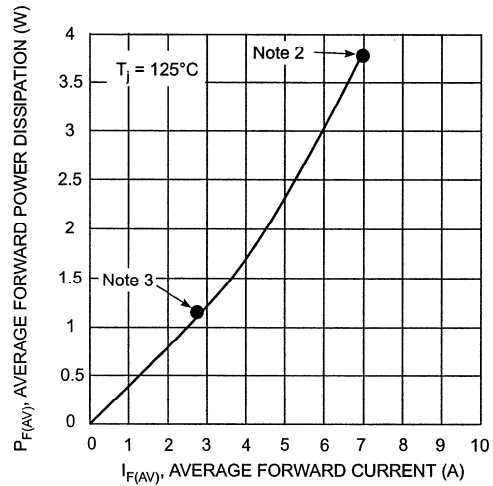
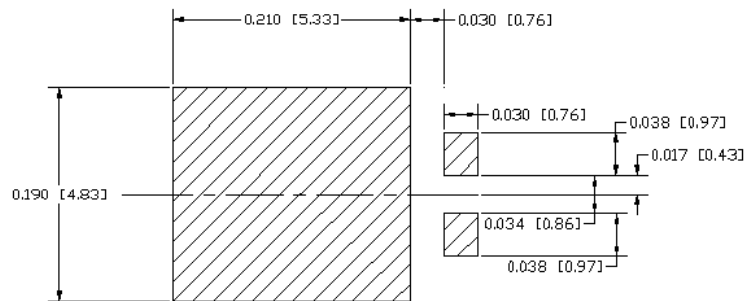
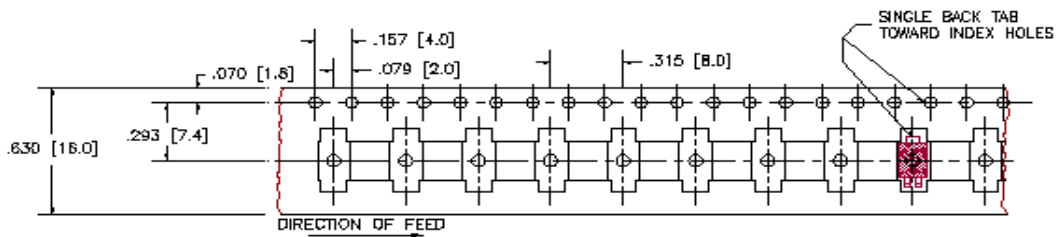
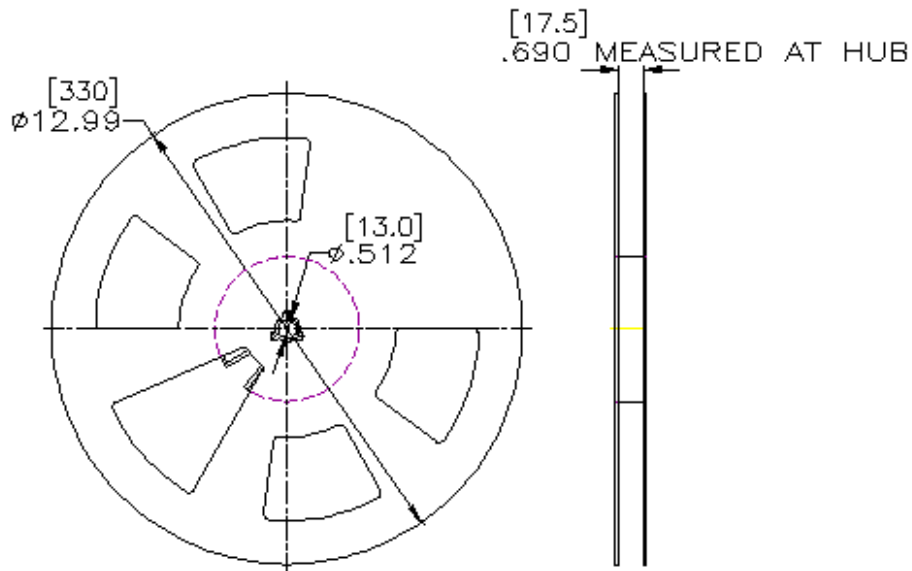


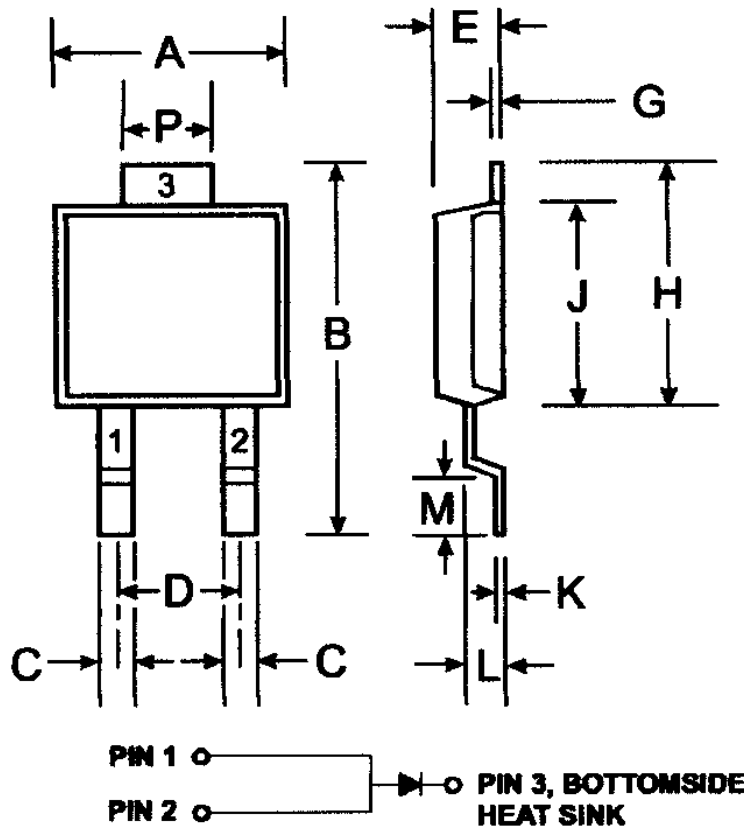
Fig. 5 Forward Power Dissipation

- Notes:
1.  $T_A = T_{\text{SOLDERING POINT}}$ ,  $R_{\theta JS} = 2.5\text{C/W}$ ,  $R_{\theta SA} = 0^\circ\text{C/W}$ .
  2. Device mounted on GETEK substrate, 2" x 2", 2 oz. copper, double-sided, cathode pad dimensions 0.75" x 1.0", anode pad dimensions 0.25" x 1.0".  $R_{\theta JA}$  in range of 20-35° C/W.
  3. Device mounted on FRA-4 substrate, 2" x 2", 2 oz. copper, single-sided, pad layout  $R_{\theta JA}$  in range of 65° C/W. See mounting pad below.

**MOUNTING PAD**


Mounting Pad Dimensions: inches [mm]

**TAPE & REEL****16 MM TAPE****13 INCH REEL**

**PACKAGE DIMENSIONS**


**Note:** Pins 1 & 2 must be electrically connected at the printed circuit board.

<b>POWERMITE®3</b>		
<b>Dim</b>	<b>Min</b>	<b>Max</b>
<b>A</b>	4.03	4.09
<b>B</b>	6.40	6.61
<b>C</b>	.889 NOM	
<b>D</b>	1.83 NOM	
<b>E</b>	1.10	1.14
<b>G</b>	.178 NOM	
<b>H</b>	5.01	5.17
<b>J</b>	4.37	4.43
<b>K</b>	.178 NOM	
<b>L</b>	.71	.77
<b>M</b>	.36	.46
<b>P</b>	1.73	1.83
<b>All Dimensions in mm</b>		