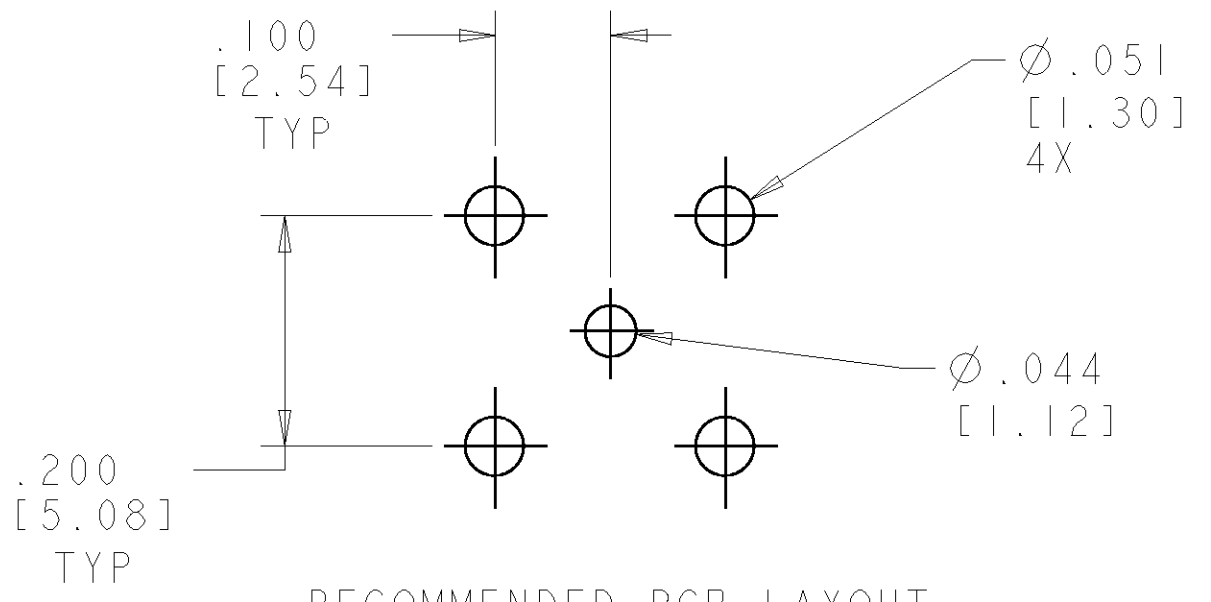
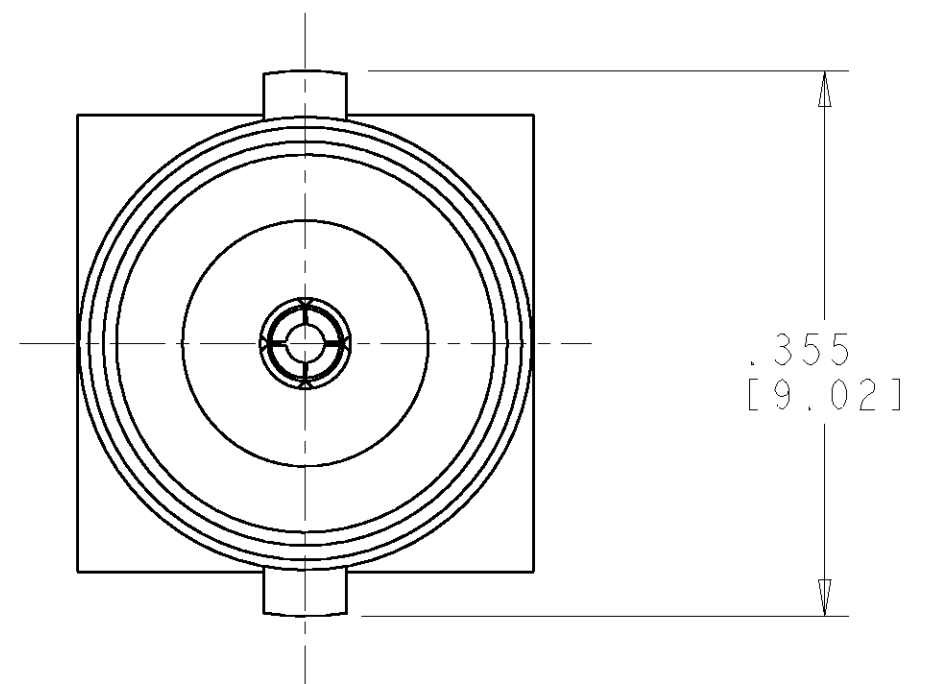
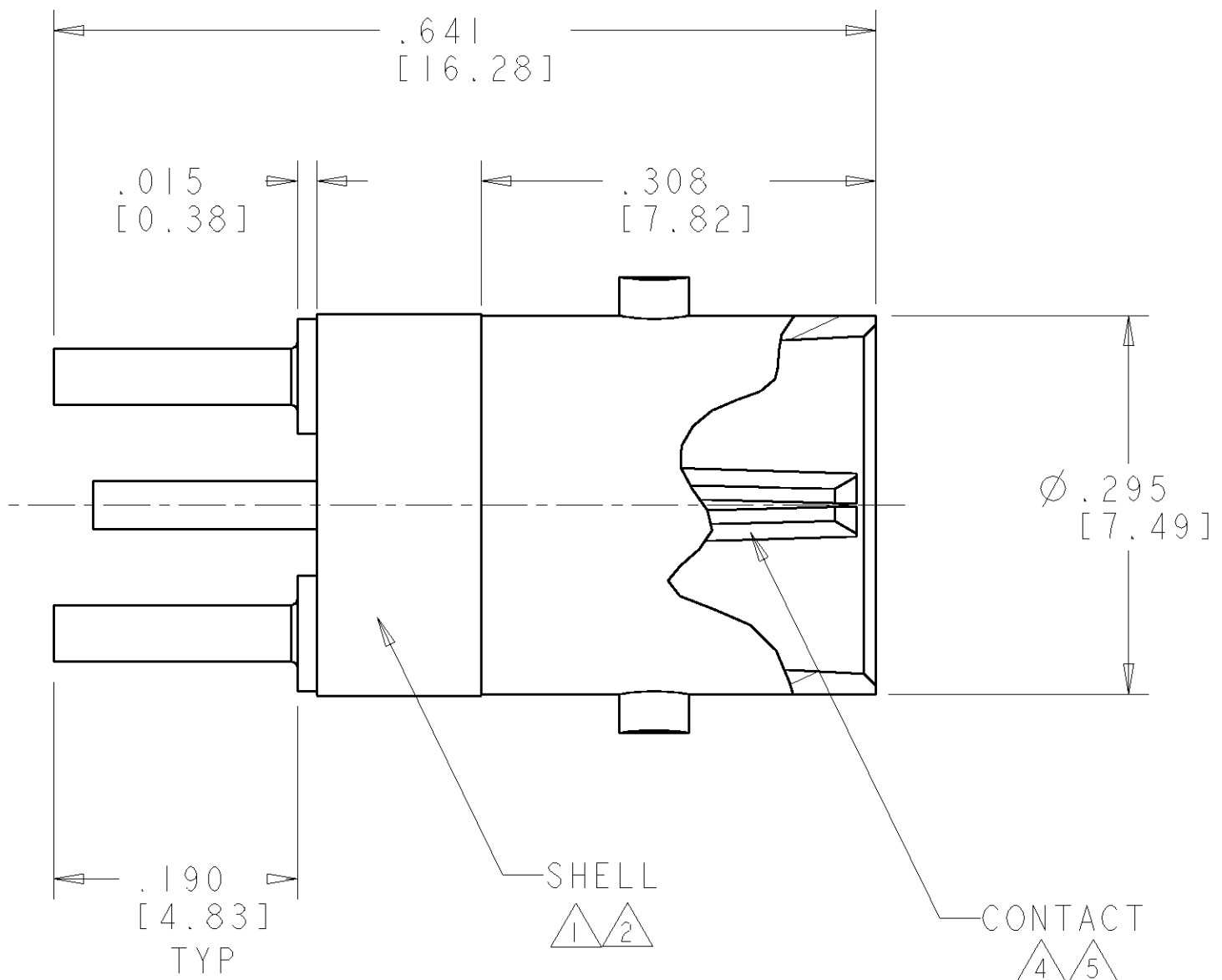
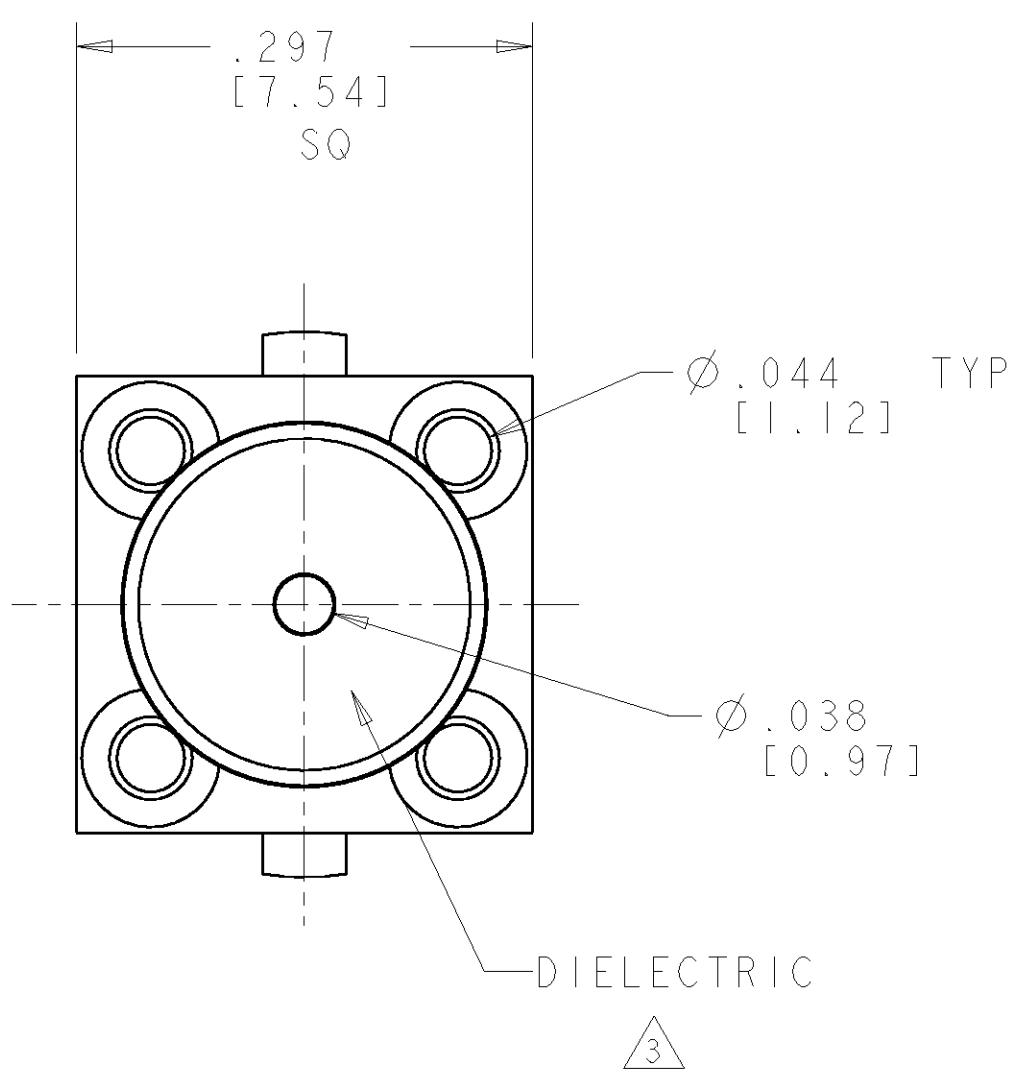


THIS DRAWING IS UNPUBLISHED. RELEASED FOR PUBLICATION 20
 © COPYRIGHT 20 BY TYCO ELECTRONICS CORPORATION. ALL RIGHTS RESERVED.

LOC	DIST	REVISIONS					
		P	LTR	DESCRIPTION	DATE	DWN	APVD
AJ	16		A	REVISED PER EC OS14-0194-05	09JUN2005	BM	KW



- 1 STAINLESS STEEL PER ASTM-A-582
- 2 NICKEL PLATE PER QQ-N-290
- 3 PTFE PER ASTM-D-1710
- 4 PHOSPHOR BRONZE PER ASTM-B-139
- 5 GOLD PLATE PER ASTM-B488, 75 μINCHES [0.0019 mm] MINIMUM THICK

1274595-1
 PART NUMBER

<small>THIS DRAWING IS A CONTROLLED DOCUMENT FOR TYCO ELECTRONICS CORPORATION. IT IS SUBJECT TO CHANGE AND THE CONTROLLING ENGINEERING ORGANIZATION SHOULD BE CONTACTED FOR THE LATEST REVISION.</small>		DWN K. WEIDNER 17OCT2003 CHR K. WEIDNER 21JUN2005 APVD K. WEIDNER 21JUN2005	tyco Electronics Tyco Electronics Harrisburg, PA 17105-3608
DIMENSIONS: INCHES [mm]	TOLERANCES UNLESS OTHERWISE SPECIFIED: 0 PLC ± 1 PLC ± 2 PLC ± 3 PLC ±.005 [0.13] 4 PLC ± ANGLES ±2 FINISH	PRODUCT SPEC - APPLICATION SPEC - WEIGHT -	NAME JACK, VERTICAL, PCB, HIGH TORQUE WITHSTANDING, MINI BNC SIZE A2 CAGE CODE 00779 DRAWING NO C=1274595 RESTRICTED TO -
MATERIAL -		CUSTOMER DRAWING	
		SCALE 6:1	SHEET 1 OF 1 REV A