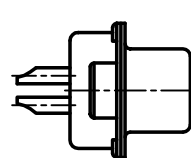
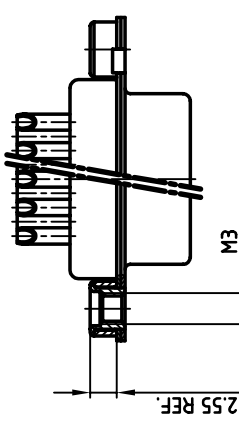
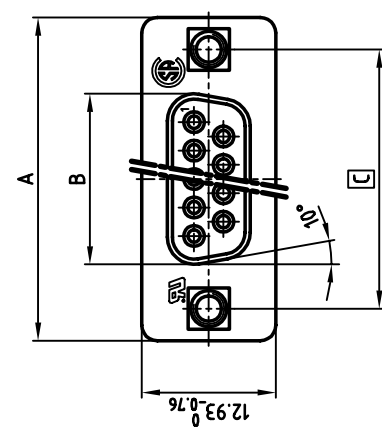
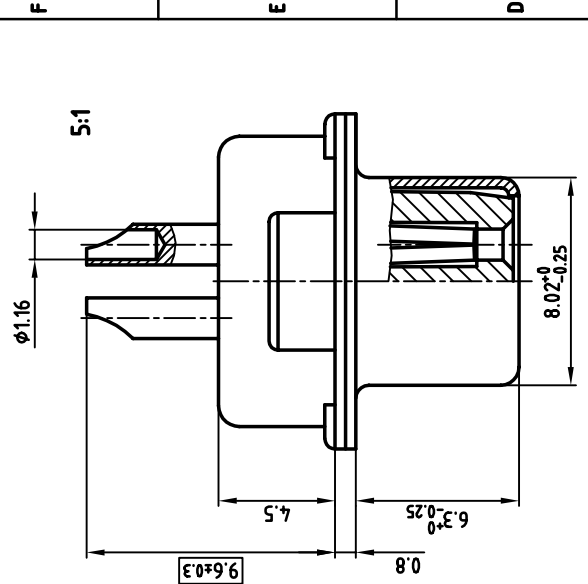


used for: D-SUB FILTER



- NOTES:**
- METAL SHELLS: STEEL; min. 320µ" TIN
  - INSULATORS: PBT GF UL 94 V-0, BLACK
  - CONTACTS: COPPER ALLOY
  - PLATING: min. 8µ" HARD GOLD OVER min. 50µ" NICKEL
  - SOLDER CUP ACCEPTS CABLE AWG 20
  - THREADED INSERT: COPPER ALLOY; min. 200µ" TIN over 80µ" NICKEL
  - COLLAR: COPPER ALLOY; min. 200µ" TIN over 80µ" NICKEL
  - CAPACITANCE: 830pF ±20%
  - DIELECTRIC WITHSTANDING VOLTAGE: 424V DC
  - MAXIMUM TORQUE VALUE FOR THREAD: 6" LBS
  - = CRITICAL DIMENSION: SPC

CONEC CORPORATION BRAMPTON, ONTARIO		tolerance	2:1 (5:1)	
DO NOT ALTER CAD DRAWING BY HAND OWNERSHIP AND COPYRIGHT OF CONEC GMBH WRITTEN PERMISSION BE PASSED ON TO A THIRD PARTY WITHOUT REPRODUCED IN ANY WAY, AND MAY NOT THIS DRAWING MAY NOT BE COPIED OR		material:	SEE NOTES	
rev.	description	date	name	title:
				D-SUB FILTER FEMALE
				SOLDER CUP 9-37pos.
				with threaded insert
				AutoCAD 2000
				DIN-A
				3
				sh: 1/1
		dwg no:		24K1A198A
		part no:		SEE TABLE

POS.	A	B	C	PART-NO.
9	31.19	16.46	25.00 +0.2 -0.3	242A27140X
15	39.52	24.79	33.30 +0.5 -0.1	242A27150X
25	53.42	38.50	47.04 +0.3	242A27160X
37	69.70	54.96	63.50 +0.3	242A27170X

1 2 3 4 5 6 7 8