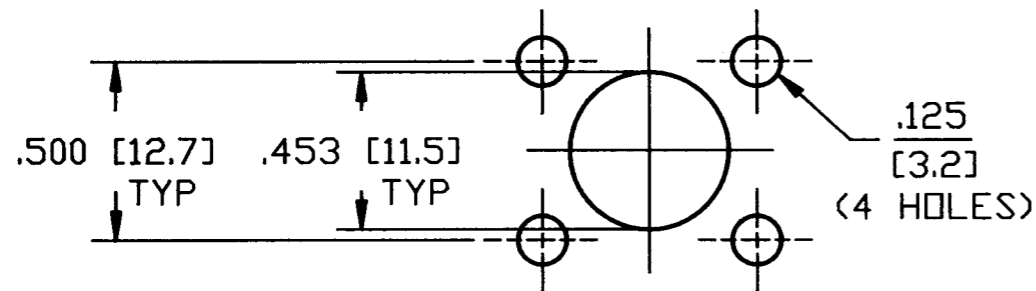
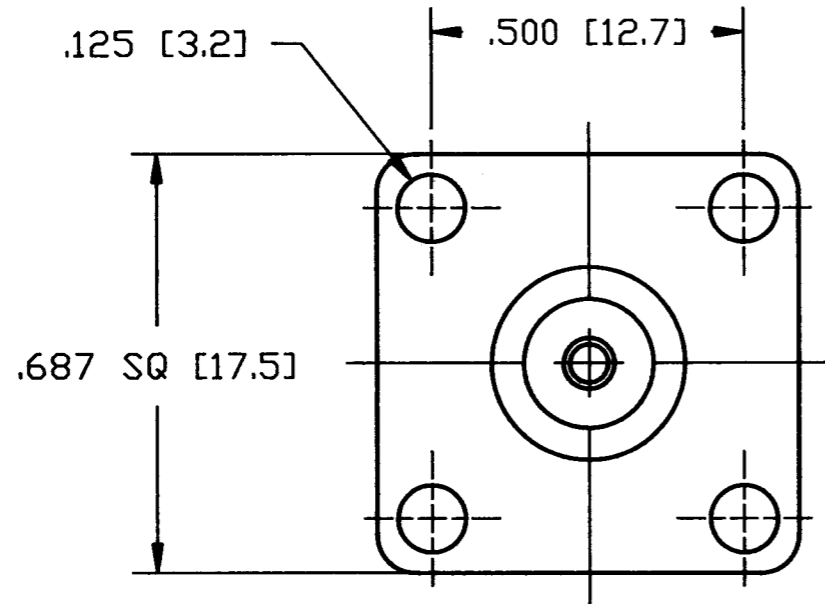


DO NOT SCALE THIS DRAWING

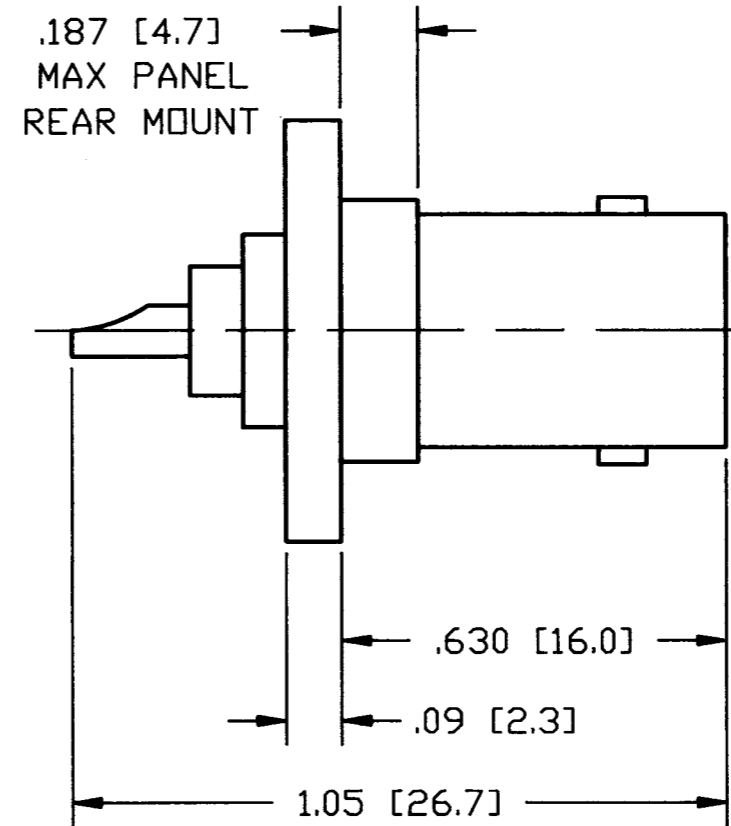
NOTES:

1. BRASS BODY, NICKEL PLATED.
2. TEFLON INSULATOR.
3. GOLD PLATED, PHOSPHOR BRONZE CONTACT, .000003.
4. PACKAGE IN BAG #999-319.

31-203-RFX		REVISIONS			
DRAWING NUMBER	SYM	DESCRIPTION	DATE	E.C.O. NO.	APPR.
	A	OFFICIAL ENG. RELEASE TO MFG.	10/2/91	38063	OR



MOUNTING HOLE DETAIL



H:\DEPT611\BNC\031\ASSY\203RFX

ENGLISH [METRIC]

PART NO.	QUAN	UOM	ITEM LINE NO.	DESCRIPTION	CODE	FINISH
LIST OF MATERIAL						

REMOVE ALL BURRS, BREAK CORNERS AND SHARP EDGES .005 MAXIMUM UNLESS OTHERWISE SPECIFIED.

NOTICE — These drawings, specifications, or other data (1) are, and remain the property of Amphenol Corp. (2) must be returned upon request; and (3) are confidential and are not to be disclosed to any person other than those to whom they are given by Amphenol Corp. The furnishing of these drawings, specifications, or other data by Amphenol Corp., or by any other person to anyone for any purpose is not to be regarded by implication or otherwise as in any manner licensing, granting rights or permitting such holder or any other person to manufacture, use or sell any product, process or design, patented or otherwise, that may in any way be related to or disclosed by said drawings, specifications or other data.

NEXT ASSY	USED ON
MATERIAL	
SPECIFICATION	
FINISH	

UNLESS OTHERWISE SPECIFIED DIMENSIONS ARE IN INCHES. TOLERANCES NOT OTHERWISE SPECIFIED ARE:		
2 PLACE DECIMAL ±.015 (0,381 mm)	3 PLACE DECIMAL ±.005 (0,127 mm)	ANGLES ± 1°
REFERENCE DRAWING NO. EAR 962370		

DRAWN BY TERRI ALBERA	DATE 4-19-91
CHECKED <i>[Signature]</i>	DATE 9-13-91
ENGINEER <i>[Signature]</i>	DATE 9-13-91
QUALITY ASSURANCE <i>[Signature]</i>	DATE 9/19/91
MFG. ENG. H. FREDLUND	DATE 9/19/91

TITLE BNC PANEL RECEPTACLE UG290A TYPE, 50 OHM
CODE IDENTIFICATION 74868
DRAWING SIZE B
DRAWING NO. 31-203-RFX

Amphenol Corporation		
RF/Microwave Operations Danbury, Conn. U.S.A.		
SCALE NTS	SHEET	OF
ISSUE A		