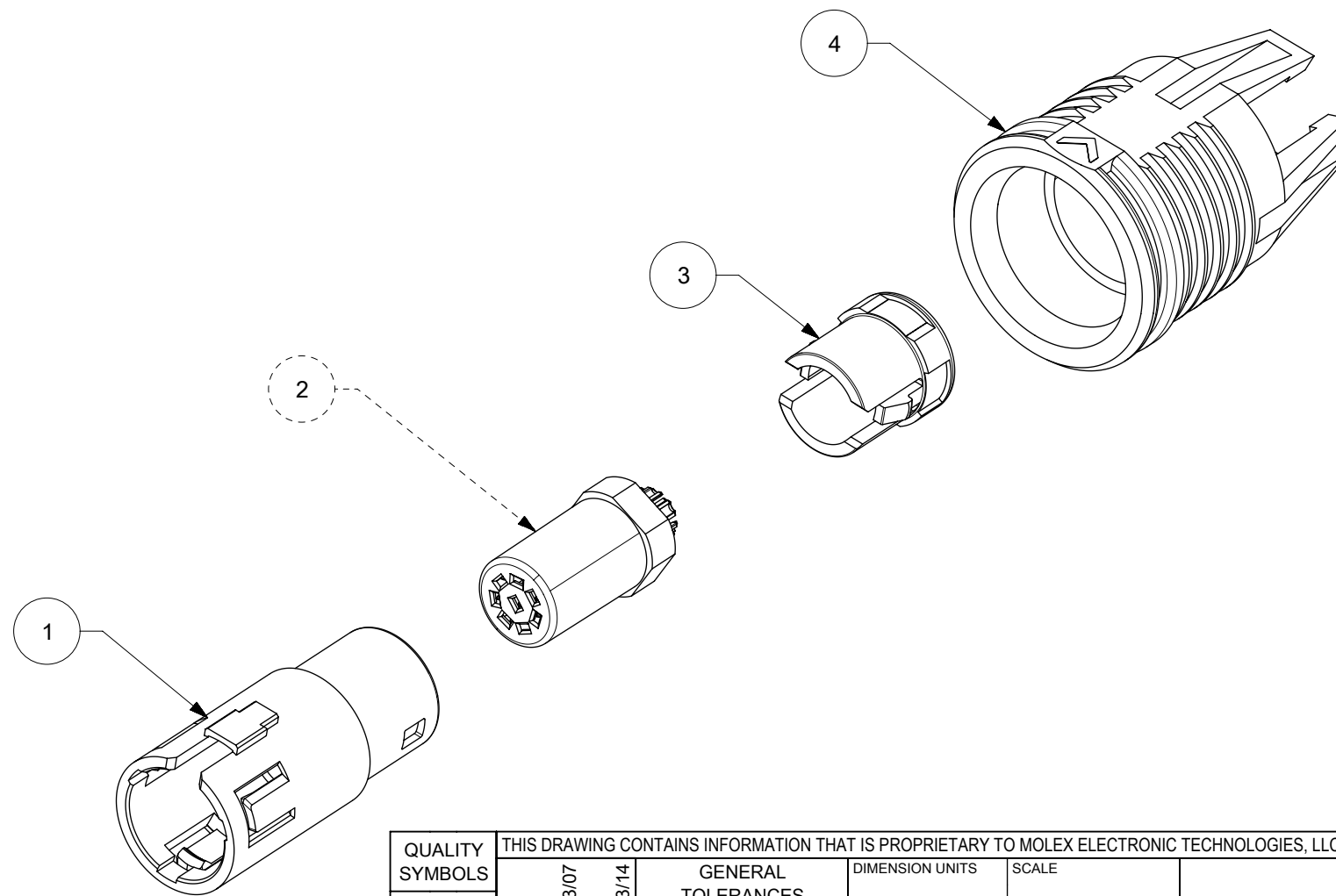
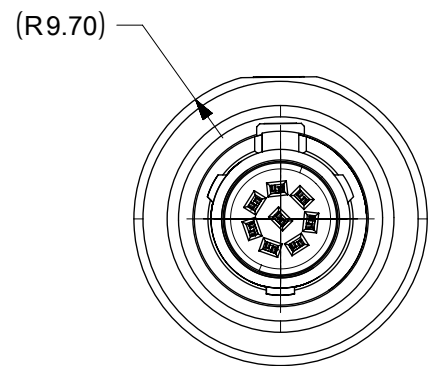
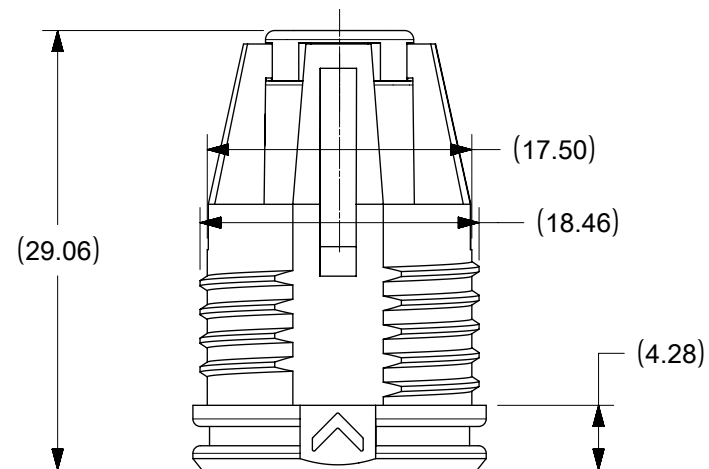


| ITEM NUMBER | P/N        | DESCRIPTION                       | QTY | SPQ |
|-------------|------------|-----------------------------------|-----|-----|
| 1           | 1728551301 | MPC D1 FEMALE PANEL MOUNT HOUSING | 1   | 10  |
| 2           | 1728542000 | MPC D1 FEMALE RETAINER 17CKT      | 1   | 10  |
| 3           | 1728561000 | MPC D1 FEMALE LOCK HOUSING        | 1   | 10  |
| 4           | 1728591101 | MPC D1 PANEL SNAP HOUSING         | 1   | 10  |



NOTES:

1. KIT TO BE PACKAGED PER SPEC PK-70873-3345
2. MATERIAL, MEDICAL GRADE PPSU; COLOR, BLACK  
HIGH PERFORMANCE COPPER ALLOY WITHY GOLD PLATING IN MATING ZONE.
3. MATES WITH KIT P/N 172870-08\*0 OR 173250-08\*0.
4. FOR ASSEMBLY INFORMATION AND SPEC SEE APPLICATION SPEC AS-202110-0000.
5. FOR FURTHER PRODUCT INFORMATION SEE PRODUCT SPEC PS-202110-0000

| THIS DRAWING CONTAINS INFORMATION THAT IS PROPRIETARY TO MOLEX ELECTRONIC TECHNOLOGIES, LLC AND SHOULD NOT BE USED WITHOUT WRITTEN PERMISSION |  |  |                                       |                 |                               |                 |                |                                      |                     |  |  |  |
|---|--|--|---------------------------------------|-----------------|-------------------------------|-----------------|----------------|--------------------------------------|---------------------|--|--|--|
| QUALITY SYMBOLS<br>▽ = 0<br>▽ = 0<br>▽ = 0<br>▼ = 0<br>▽ = 0<br>⊠ = 0<br>■ = 0<br>▽ = 0   | EC NO: 114244<br>DRWN: JJONIAK<br>CHKD:<br>APPR: BPISZCZOR | 2017/03/07<br>2017/03/14<br>2017/03/14 | GENERAL TOLERANCES (UNLESS SPECIFIED) |                 | DIMENSION UNITS               | SCALE           |                |                                      |                     |  |  |  |
|   |  |  | ANGULAR TOL ± °                       |                 | MM                            | 2:1             |                |                                      |                     |  |  |  |
|   |  |  | 4 PLACES ±                            | DRWN BY JJONIAK |                               | DATE 2017/03/07 |                | MPC D1 SHROUDED FEMALE 8CKT ASSY KIT |                     |  |  |  |
|   |  |  | 3 PLACES ±                            | CHK'D BY        |                               | DATE            |                |                                      |                     |  |  |  |
| 2 PLACES ±  | APPR BY BPISZCZOR  |  | DATE 2017/03/14                       |                 | PRODUCT CUSTOMER DRAWING      |                 |                |                                      |                     |  |  |  |
| 1 PLACE ±   | DRAWING SIZE B   |  | THIRD ANGLE PROJECTION                |                 | SERIES                        | MATERIAL NUMBER | CUSTOMER       |                                      |                     |  |  |  |
| 0 PLACES ±  | DRAFT WHERE APPLICABLE MUST REMAIN WITHIN DIMENSIONS       |  |                                       |                 | 202405                        | 2024050810      | GENERAL MARKET |                                      |                     |  |  |  |
|   | REV A  |  |                                       |                 | DOCUMENT NUMBER 2024050810-SD |                 | DOC TYPE PSD   | DOC PART 000                         | SHEET NUMBER 1 OF 1 |  |  |  |