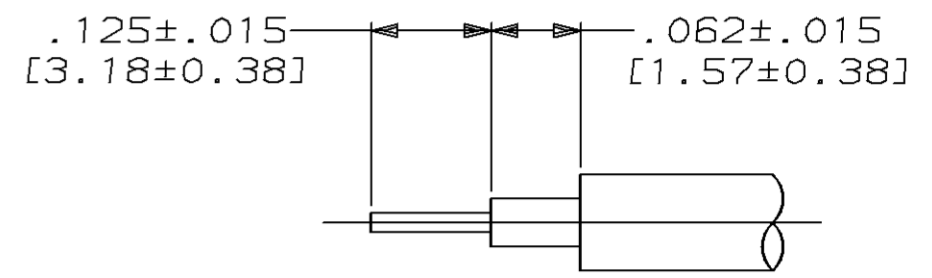
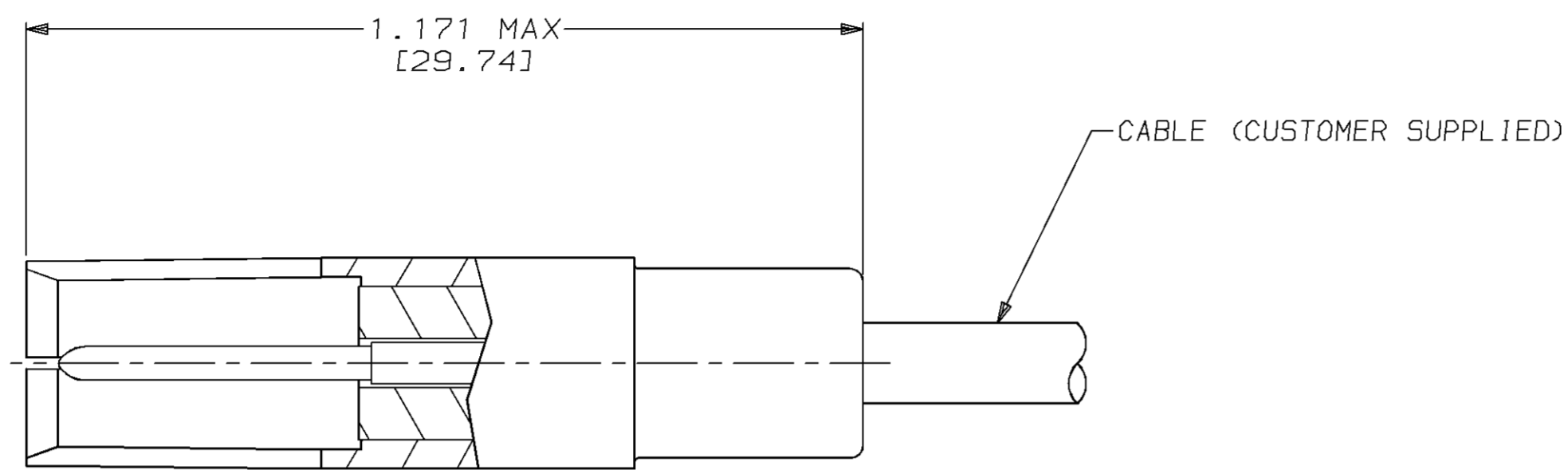
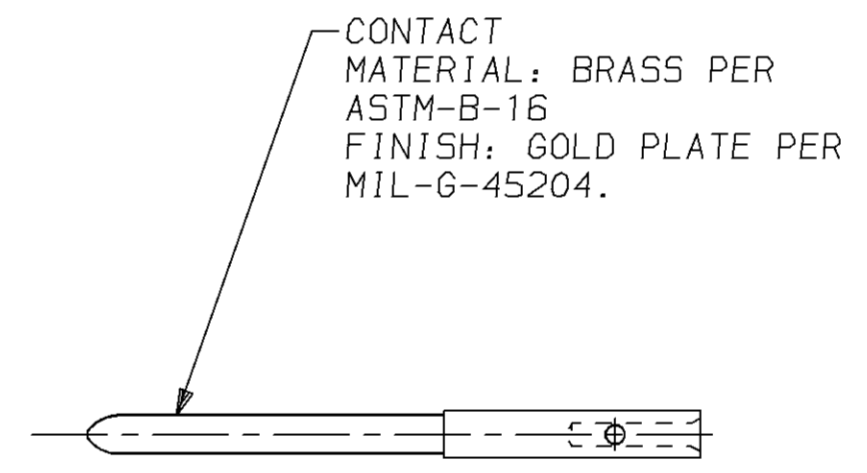
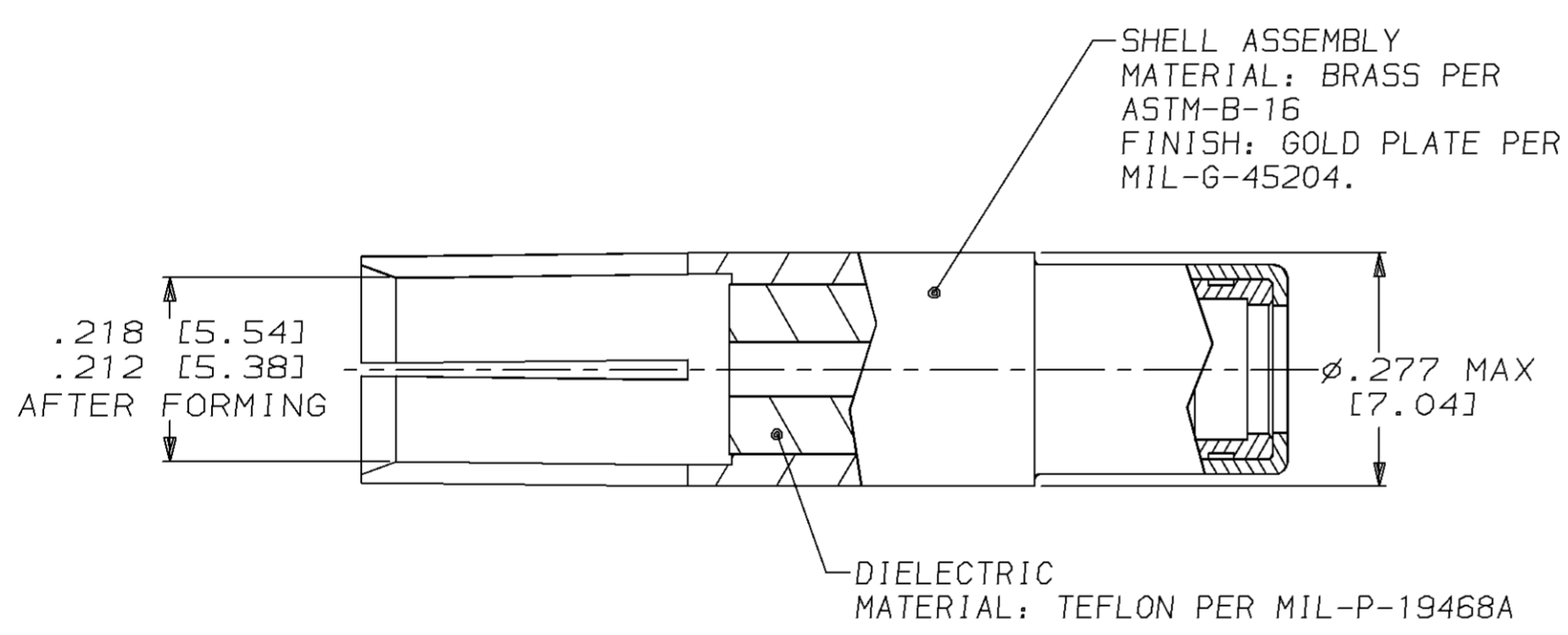


REVISIONS									
PROD CODE	LOC	DIST	P	F	ZONE	LTR	DESCRIPTION	DATE	APPD
3321	DF	XO				F	REV & REDRAWN; 0600-1969-94 CT	2-95	JD

ASSEMBLED VIEW



RECOMMENDED STRIP LENGTH
SCALE: N.T.S.



- FOR USE WITH .141 SEMI-RIGID CABLE.
- FERRULE CRIMPING TOOL: AMP TOOL NO. 220066-2 CRIMP B.
- CONTACT CRIMPING TOOL: AMP TOOL NO. 220066-2.
- SEE I.S.2348.
- PARTS SHIPPED UNASSEMBLED AND CABLE IS SUPPLIED BY CUSTOMER.

THIS DRAWING IS A CONTROLLED DOCUMENT FOR AMP INCORPORATED. IT IS SUBJECT TO CHANGE AND THE CONTROLLING ENGINEERING ORGANIZATION SHOULD BE CONTACTED FOR THE LATEST REVISION.

DO NOT SCALE PRINT. UNLESS SPECIFIED DIMENSIONS IN INCHES [mm] TOLERANCES ON : 2 PLC DEC ± - 3 PLC DEC ± - ANGLES ± -	DR 2-1-95 C.C. THOMAS	AMP Incorporated Harrisburg, PA 17105-3608		
	CHK 2-2-95 J. DUNBAR			
MATERIAL SEE CALLOUTS	APPD 2-2-95 J. DUNBAR	NAME CONNECTOR, COAXIAL, RF SOCKET SIZE 5, ARINC		
	APPD 2-2-95 C.C. THOMAS	SIZE C	CAGE CODE 00779	DRAWING NO G=225791-6
FINISH SEE CALLOUTS	PRODUCT SPEC -	SCALE 5:1	SHEET 1 OF 1	
	APPLICATION SPEC -	CUSTOMER DRAWING		
	WEIGHT -			

225791-6

225791-6
PART NO.