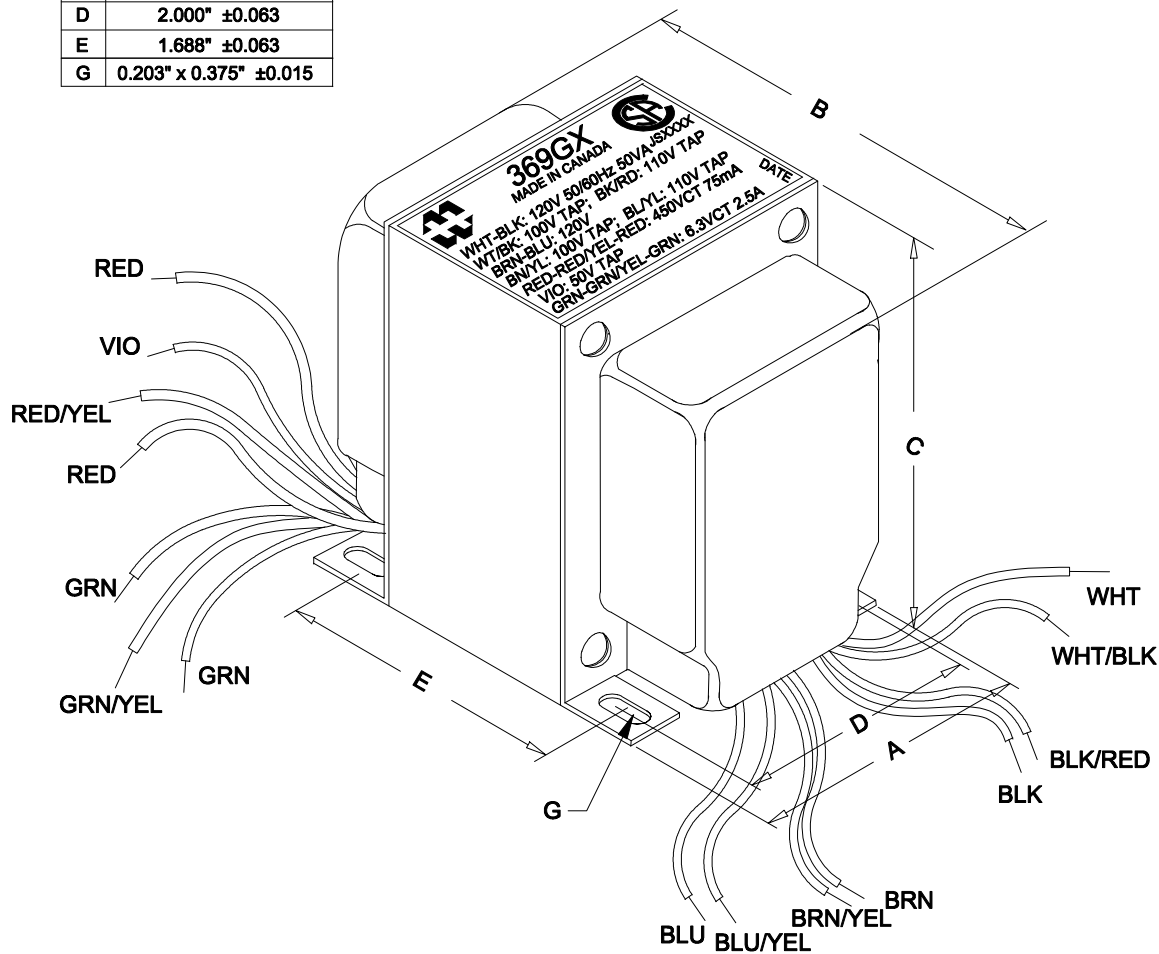
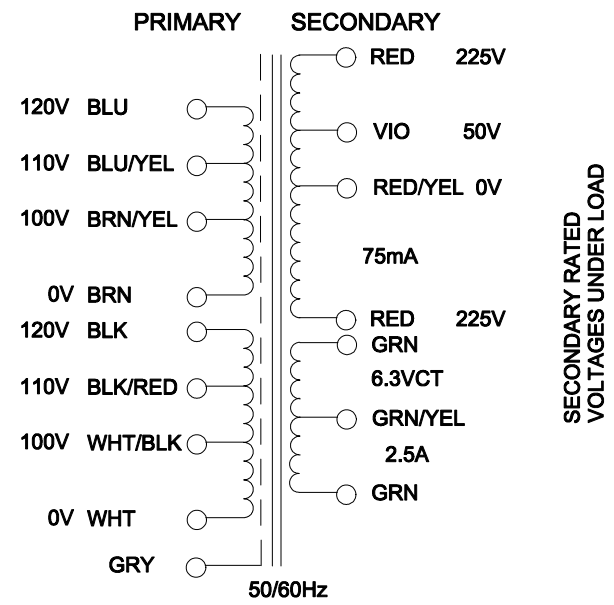


DIMENSIONS:	
A	2.500" ±0.063
B	2.750" ±0.125
C	3.060" ±0.063
D	2.000" ±0.063
E	1.688" ±0.063
G	0.203" x 0.375" ±0.015



NOTE: ALL LEADS 8" OUT MIN. STRIPPED 0.5"



GRY - ELECTROSTATIC SHIELD

ELECTRICAL DATA:		
TESTS	CONDITIONS	ACCEPTANCE CRITERIA
Iex	@ 120V, 60Hz, WHT - BLK	80mA Max.
Sec. N.L.V	@ 120V, 60Hz, WHT - BLK	
	RED - RED =	496.8V ±2%
	RED - RED/YEL = RED/YEL - RED =	248.4V ±2%
	RED/YEL - VIO =	50.06V ±2%
	GRN - GRN =	7.013V ±2%
	GRN - GRN/YEL = GRN/YEL - GRN =	3.506V ±2%
DCR	@ 20°C, WHT - BLK =	19.45 Ω ±20%
	@ 20°C, BRN - BLU =	21.36 Ω ±20%
	@ 20°C, RED - RED =	316.9 Ω ±20%
	@ 20°C, GRN - GRN =	0.148 Ω ±20%
HIPOT	PRIMARY - SECONDARY	2500V, 60Hz, 1 SEC

REV.#	REVISION	DATE	HAMMOND ELECTRONIC DIVISION		52 RANKIN PLACE, WATERLOO, ONTARIO, N2J 3Z5		PH # (519) 886-6181
0	RELEASED.	C.I. 08/07/12	MANUFACTURING™				FAX # (519) 886-9540
			DWG. BY: C. ILIE	CHK'D BY:	TITLE: POWER TRANSFORMER	DWG. NO. 369GX	
			DATE: 08/07/12	APP'D. BY:			
				DIMENSIONS: IN(X) MM()			