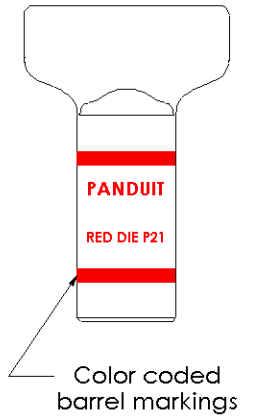
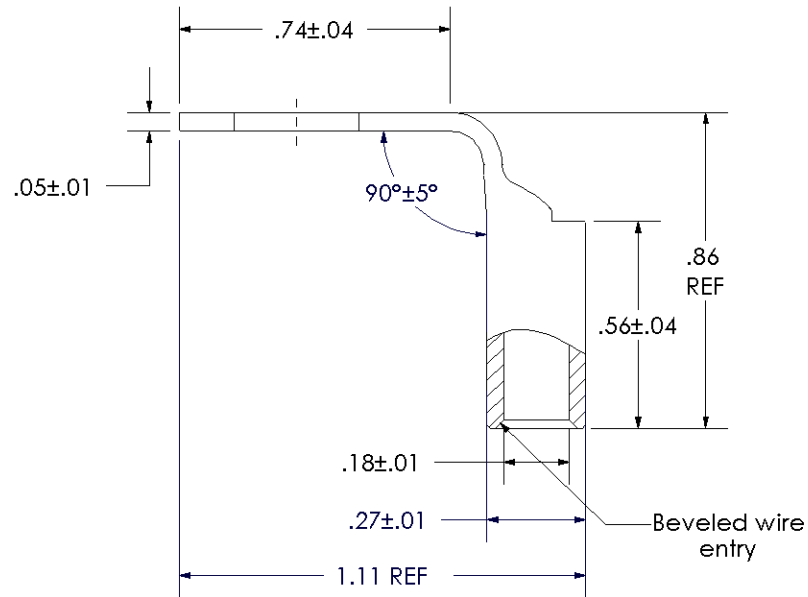
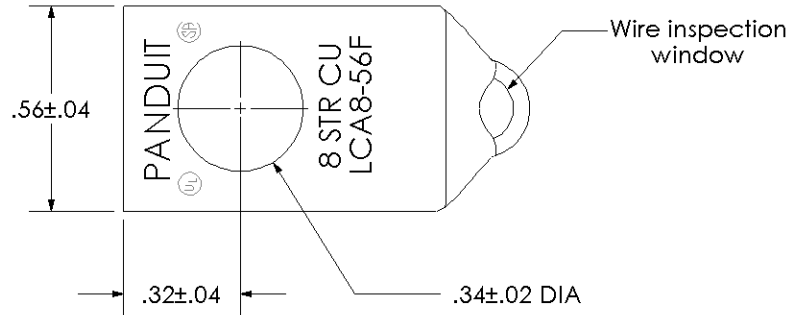


THIS COPY IS PROVIDED ON A RESTRICTED BASIS AND IS NOT TO BE USED IN ANY WAY DETRIMENTAL TO THE INTERESTS OF PANDUIT CORP.

Material	High Conductivity Seamless Copper Tube
Plating	Electro-Tin
Wire Size	8 AWG
Wire Type	Stranded Copper; Class B: Compact, Compressed or Concentric, Class C: Concentric
Wire Strip Length	5/8 in.
Stud Size	5/16 in.
UL Listed Wire Connector	Yes, for applications up to 35kv. Consult cable manufacturer for voltage stress relief instructions with applications greater than 2000 volts.
UL Temperature Rating	90° C
C.S.A Certified Wire Connector	Yes
Panduit Color Code on Barrel	RED
Panduit Die Index No. on Barrel	P21
Alternate Industry Die Index No. () on Barrel	N/A



REV	DATE	BY	CHK	DESCRIPTION	ECN
01	11/03	DRL	DRL	ADDED UL, CSA AND PART NO. TO STAMP	11262

PANDUIT CORP. TINLEY PARK, ILLINOIS

LCA8-56F-L
Copper Lug - One-Hole, Standard Barrel, 90° Angle Tongue

SCALE N/A

DRAWING NO / CAD FILE

LCA8-56F-CUST