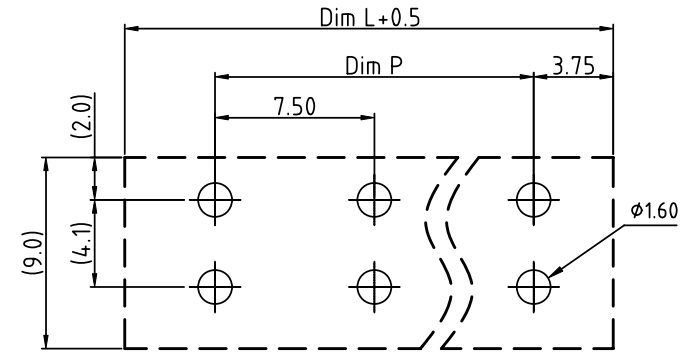
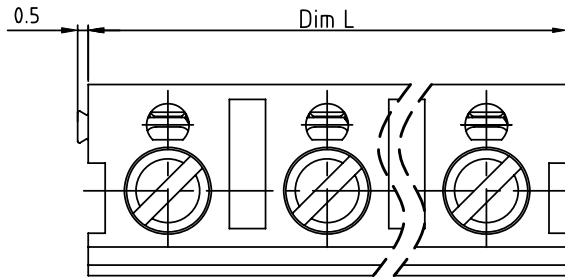
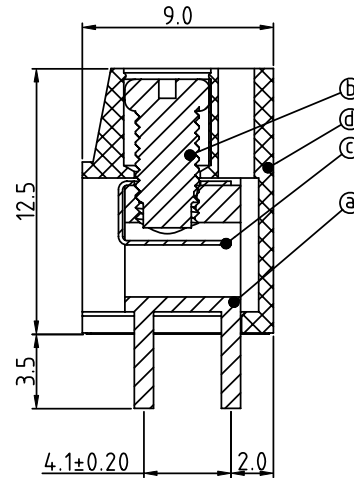
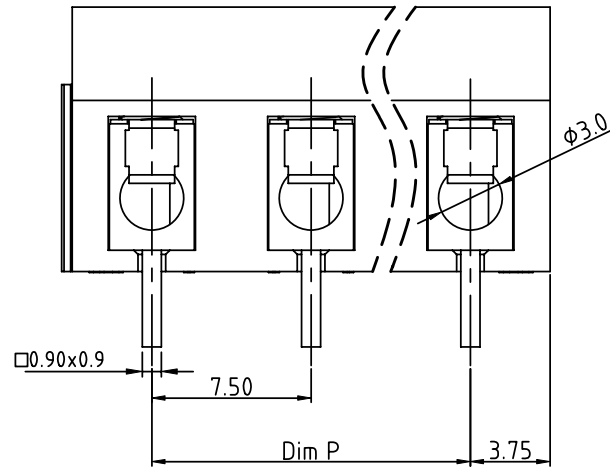


PRODUCT NUMBER	PITCH
VAxx21x000J0G	7.50mm



RECOMMENDED P.C.B LAYOUT  
TOP VIEW



Material:

- Item@ Terminal body: Brass(CuZn), Tin plated
- Item@ Terminal screw: Steel Zinc plating "-" slot type
- Item@ Wire guard: Stainless steel
- Item@ Terminal housing: Thermoplastic (UL94V-0)

Electrical cULus

- Voltage rating: 300VAC
- Current rating: 15A
- Wire range:
- Solid wire(AWG): 14-22
- Stranded wire(AWG): 14-22
- Torque: 3.5Lb-In
- Screw: M3
- Wire strip length: 6-7mm
- Withstanding Voltage: 1.6KV
- Operating temperature: -40°C to +115°C
- Soldering temperature: 260°C±5°C/5 Sec
- Safety Approval: us

N = Number of poles  
Dim L=Nx7.5  
Dim P=(N-1)x7.5

Poles	Dim P	Dim L
2-4p	±0.10	±0.15
5-8p	±0.20	±0.20
9-12p	±0.25	±0.30
13-16p	±0.30	±0.40

PART NO.: VA xx 21 x 0 00J 0 G

- |               |          |                     |  |
|---------------|----------|---------------------|--|
| End stackable | 0        | Black (RAL9005)     | RoHS compliant<br>(lead<4%)<br>In copper Alloy |
| No. of poles  | 2        | Red (RAL3001/D)     |  |
| 02            | 2 poles  | 3 Orange(RAL2011/P) |  |
| 03            | 3 poles  | 4 Yellow(RAL1018/A) |  |
| ...           | ...      | 5 Green(RAL6018/T)  |  |
| 16            | 16 poles | 6 Blue (RAL5015/A)  |  |
|               |          | 8 Grey(RAL7035/D)   |  |
|               |          | 9 White(RAL1102)    |  |
|               |          | C Green(RAL6018/U)  |  |

mat'l. code		surface ASME Y14.5	tolerance ASME Y14.5	projection 	product family TERMINAL BLOCK
ltr	ecn no	dr	date	tolerances unless otherwise specified	title TERMINAL BLOCK
				angles $X \pm 1^\circ$	
				scale MM	WIRE PROTECTOR, 180D WIRE INLET
		dr	EVIN ZHONG	033114	dwg no
		enr	EVIN ZHONG	033114	sheet 1 of 1
		chr	HANKE FENG	033114	size A4
		appd	SHI JUN	033114	type CUSTOMER Drawing
sheet index	revision sheet	A	1		