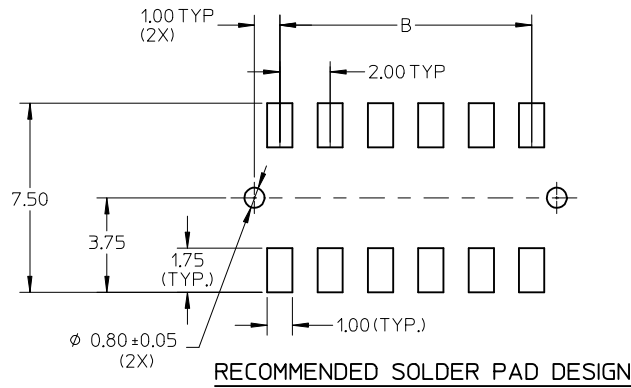
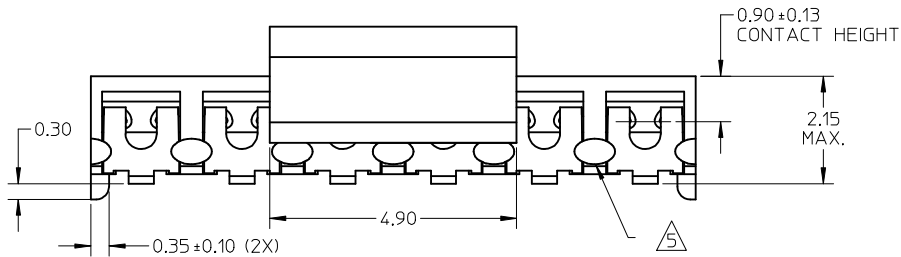


PART NUMBER W/CAP IN TUBE	CKT. SIZE	DIM. A	DIM. B
87340-0497	4	4.00	2.00
87340-0697	6	6.00	4.00
87340-0897	8	8.00	6.00
87340-1097	10	10.00	8.00
87340-1297	12	12.00	10.00
87340-1497	14	14.00	12.00
87340-1697	16	16.00	14.00
87340-1897	18	18.00	16.00
87340-2097	20	20.00	18.00

NOTES:

- FOR ILLUSTRATION PURPOSES, DRAWING SHOWS PART WITH 12 CIRCUIT SIZE.
- MATERIAL:
HOUSING & CAP:
HIGH TEMPERATURE THERMOPLASTIC, UL RATED 94V-0 SUITABLE FOR SURFACE-MOUNT SOLDERING PROCESS. COLOR BLACK
TERMINAL: PHOSPHOR BRONZE ALLOY.
- PLATING- 0.76µM MINIMUM GOLD PLATE AT CONTACT AREA, AND 1.90µM MINIMUM TIN PLATE AT P.C TAIL AREA, BOTH OVER 1.27µM MINIMUM NICKEL OVERALL.
- COPLANARITY OF P.C TAIL TO BE MEASURED BY RESTING THE PART ON A FLAT GAGE SURFACE.
- THIS AREA OF PART TO BE HEAT-STAKED TO RETAIN CONTACTS.
- POSITION OF CAP TO BE LOCATED AT CENTER OF DIMENSION "A" REGARDLESS OF CIRCUIT SIZE.
- PRODUCT SPECIFICATION PS-87340 APPLIES.
- PART TO BE PACKAGED IN TAPE-&-REEL. SEE SHEET 2 FOR PACKAGING DETAILS.
- CONTACT FACTORY FOR PARTS AVAILABILITY.



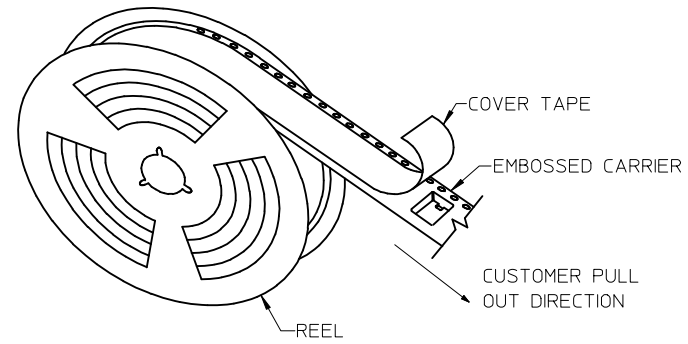
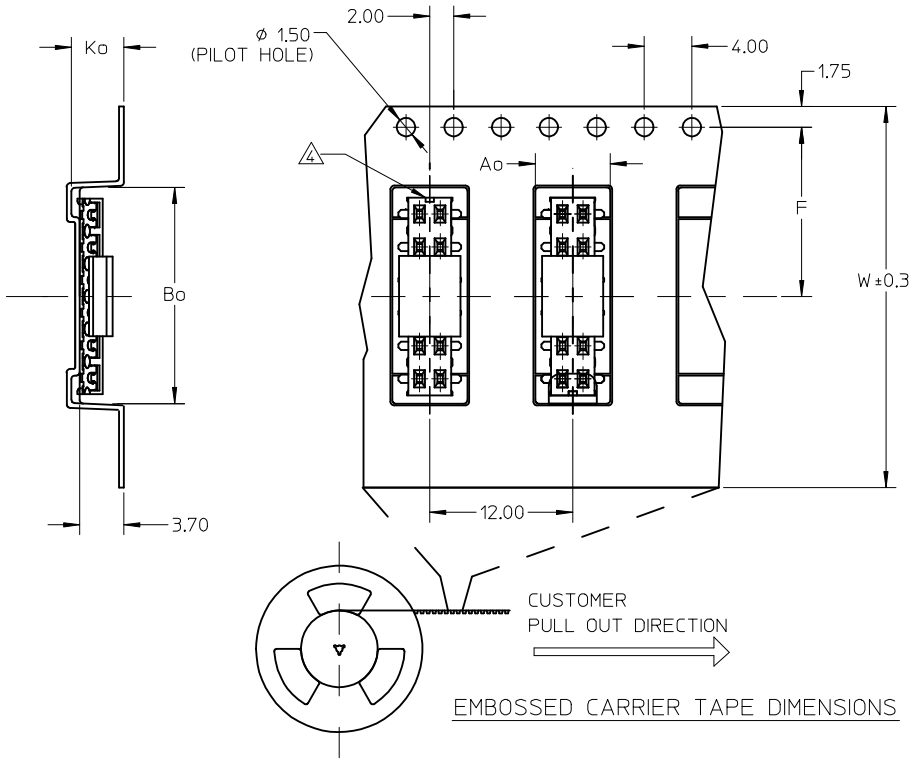
OBS TIN/LEAD P/N EC NO: S2006-0732 DRWN:MLONG 2006/04/03 CHKD:NAGESHKN 2006/04/04 APPR:PTLIM 2006/04/05	QUALITY SYMBOLS	GENERAL TOLERANCES (UNLESS SPECIFIED)	DIMENSION STYLE	SCALE	DESIGN UNITS	THIRD ANGLE PROJECTION														
	<p>▽=0</p> <p>∇=0</p>	<table border="1"> <thead> <tr> <th></th> <th>mm</th> <th>INCH</th> </tr> </thead> <tbody> <tr> <td>4 PLACES</td> <td>± ---</td> <td>± ---</td> </tr> <tr> <td>3 PLACES</td> <td>± ---</td> <td>± ---</td> </tr> <tr> <td>2 PLACES</td> <td>± 0.20</td> <td>± ---</td> </tr> <tr> <td>1 PLACE</td> <td>± ---</td> <td>± ---</td> </tr> </tbody> </table>		mm	INCH	4 PLACES	± ---	± ---	3 PLACES	± ---	± ---	2 PLACES	± 0.20	± ---	1 PLACE	± ---	± ---	MM ONLY	NTS	METRIC
	mm	INCH																		
4 PLACES	± ---	± ---																		
3 PLACES	± ---	± ---																		
2 PLACES	± 0.20	± ---																		
1 PLACE	± ---	± ---																		

D	DESCRIPTION	DRAWN BY	DATE	TITLE
		DSOH	1997/06/19	MGRID, VLPR II TOP ENTRY RECEPT., SMT W/CAP FOR PICK-&-PLACE
		CHECKED BY	DATE	
		KCLING	1997/06/25	
		APPROVED BY	DATE	
		SKTOH	1997/06/27	
		MATERIAL NO.	DOCUMENT NO.	SHEET NO.
		SEE TABLE	SD-87340-**94	1 OF 2

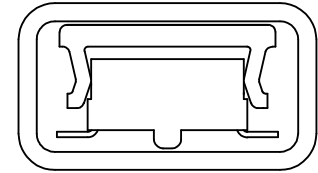
ANGULAR ± 3 °	THIS DRAWING CONTAINS INFORMATION THAT IS PROPRIETARY TO MOLEX INCORPORATED AND SHOULD NOT BE USED WITHOUT WRITTEN PERMISSION	
---------------	---	--

10 9 8 7 6 5 4 3 2 1

PART NUMBER W/CAP IN TAPE/REEL	CKT. SIZE	Ao	Bo	F	W	Ko
87340-0498	4	6.70	5.30	11.50	24.00	5.30
87340-0698	6	6.50	6.50	7.50	16.00	4.50
87340-0898	8	6.70	8.40	11.50	24.00	5.30
87340-1298	12	6.60	12.40	11.50	24.00	4.40
87340-1498	14	6.60	14.30	11.50	24.00	4.40
87340-1698	16	6.60	16.30	11.50	24.00	4.40
87340-2098	20	6.70	20.50	20.20	44.00	5.30



TAPE AND REEL ASSEMBLY SHOWN IS FOR ILLUSTRATION ONLY.



PART IN TUBE VIEW

NOTES:

- LEADER AND TRAILER TAPE
- PEELING OFF FORCE OF THE TOP TAPE: 20-80gf.
 (PEELING DIRECTION AS SHOWN IN FOLLOWING FIGURE)
- PACKAGING STANDARD IS AS PER EIA-481.
 NO FIX ORIENTATION OF ASSEMBLY PART IN T&R.

OBS EC NO: S2006-0732 DRWN:MLONG CHKD:NAGESHKN APPR:PTLIM	2006/04/03	DESCRIPTION
	2006/04/04	
	2006/04/05	

QUALITY SYMBOLS	▽=0
	◻=0

GENERAL TOLERANCES (UNLESS SPECIFIED)	mm	INCH	
	4 PLACES	± ---	± ---
	3 PLACES	± ---	± ---
	2 PLACES	± 0.20	± ---
	1 PLACE	± ---	± ---
ANGULAR ± 3 °			
DRAFT WHERE APPLICABLE MUST REMAIN WITHIN DIMENSIONS			

DIMENSION STYLE		SCALE	DESIGN UNITS	THIRD ANGLE PROJECTION
MM ONLY		NTS	METRIC	
DRAWN BY	DATE	TITLE		
DSOH	1997/06/19	MGRID, VLPR II		
CHECKED BY	DATE	TOP ENTRY RECEPT., SMT		
KCL ING	1997/06/25	W/CAP FOR PICK-&-PLACE		
APPROVED BY	DATE	MOLEX INCORPORATED		
SKTOH	1997/06/27			
MATERIAL NO.	DOCUMENT NO.	SHEET NO.		
SEE TABLE	SD-87340-**94	2 OF 2		

MATERIAL NO.				DOCUMENT NO.	SHEET NO.
SEE TABLE				SD-87340-**94	2 OF 2
THIS DRAWING CONTAINS INFORMATION THAT IS PROPRIETARY TO MOLEX INCORPORATED AND SHOULD NOT BE USED WITHOUT WRITTEN PERMISSION					

9 8 7 6 5 4 3 2 1