

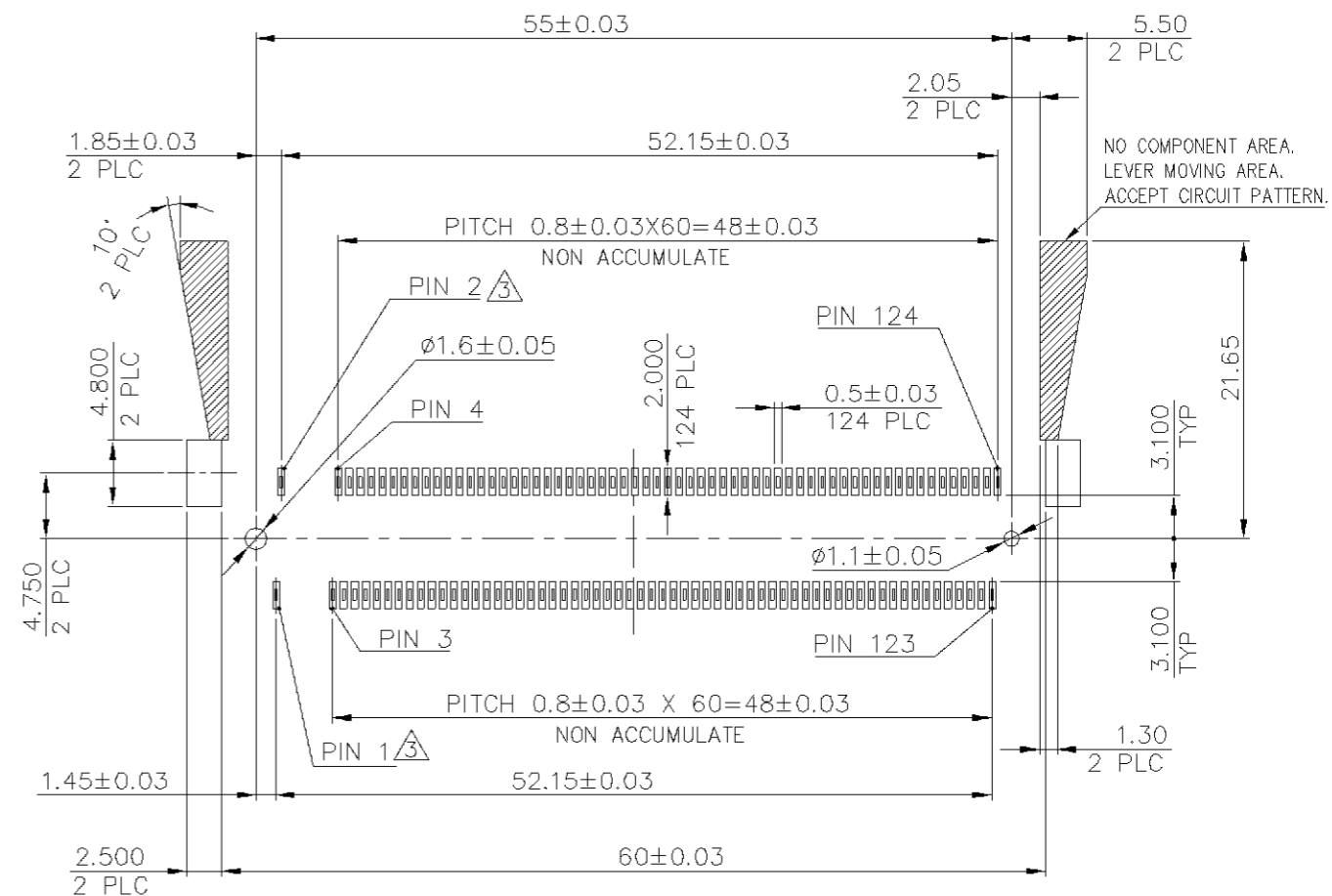
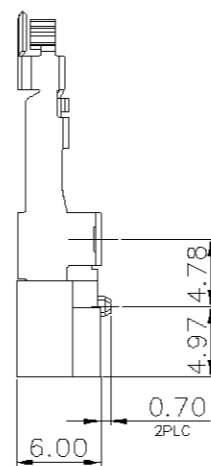
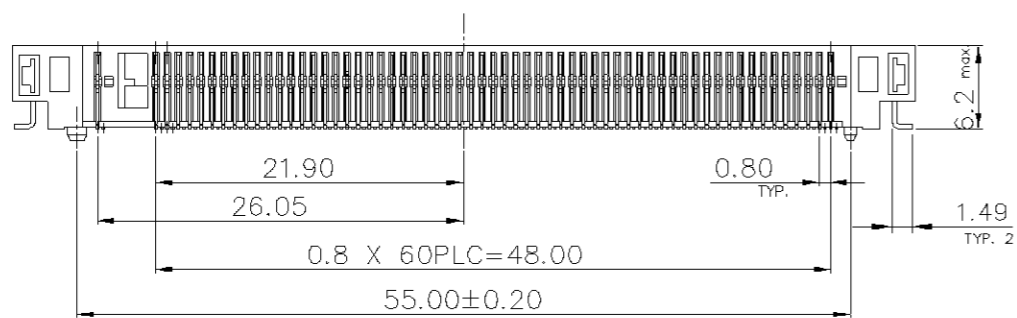
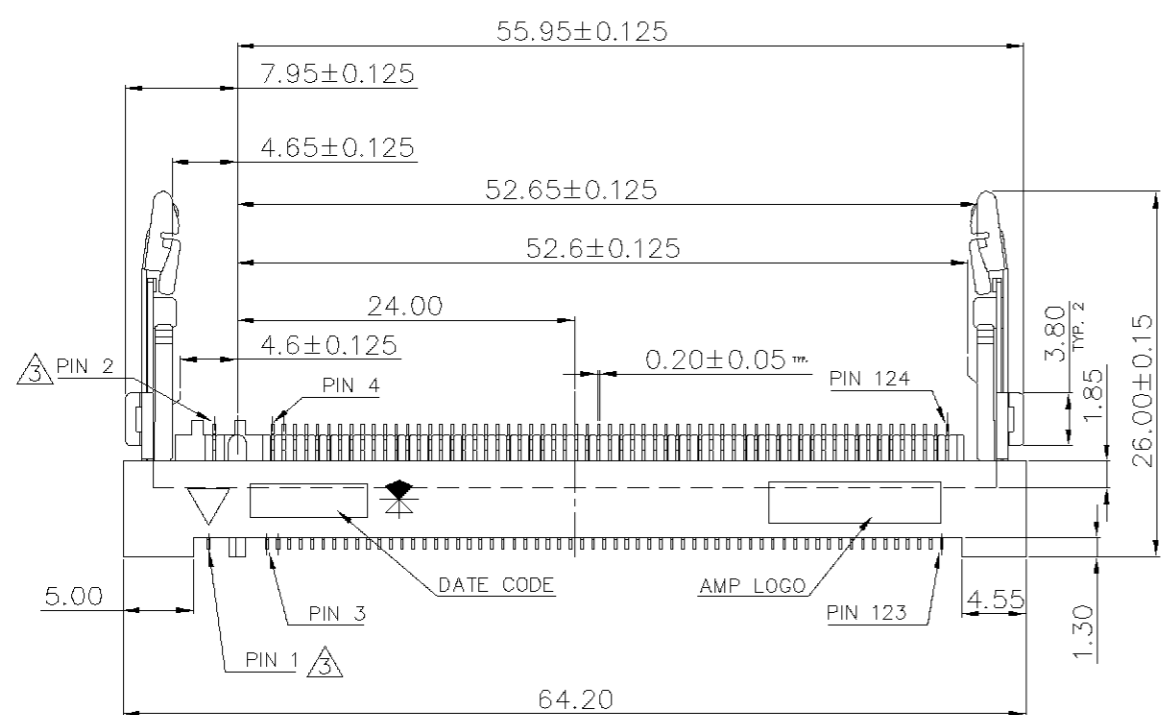
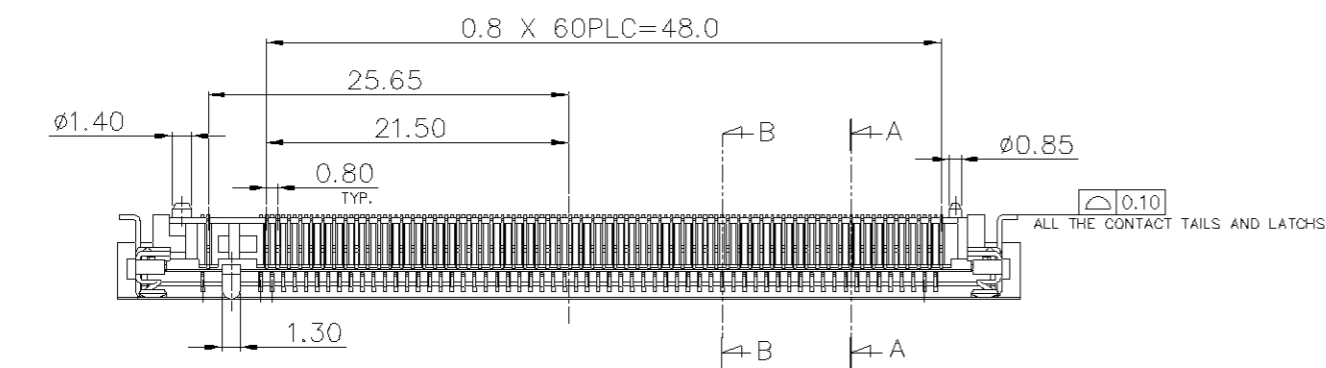
NUMBER
C-1734027

3RD ANGLE PROJECTION

METRIC

THIS INFORMATION IS CONFIDENTIAL AND IS DISCLOSED TO YOU ON CONDITION THAT NO FURTHER DISCLOSURE IS MADE BY YOU TO OTHER THAN AMP PERSONNEL WITHOUT WRITTEN AUTHORIZATION FROM AMP (TAIWAN) LTD. DIMENSIONS IN MILLIMETERS. DO NOT SCALE PRINT.

PRINT DIST DW



RECOMMENDED P.C.B. PATTERN LAYOUT
(CONNECTOR MOUNTING SIDE)

NOTE:

- MATERIAL:
HOUSING: HIGH TEMP. THERMOPLASTIC 30% GF, UL 94V-0, COLOR: BLACK.
CONTACTS: PHOSPHOR BRONZE.
LATCHES: STAINLESS STEEL.
- FINISH:
CONTACTS: 5μ" MIN. GOLD PLATED IN CONTACT AREA, 50μ" MIN. NICKEL UNDERPLATED ALL OVER, 100μ" MIN. TIN(MATTE) OVER 50μ" MIN. NICKEL ON SOLDER TAIL.
LATCHES: 80μ"~240μ" TIN(MATTE) OVER 50μ" MIN. NICKEL UNDERPLATING.

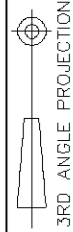
⚠ LACK OF PIN NO. 1 & 2

⚠ TAPE REEL	1-1734027-3
TAPE REEL	1734027-3
HARD TRAY	1734027-1
PACKAGE TYPE	PART NUMBER

TOLERANCES UNLESS OTHERWISE SPECIFIED: 0 PLC ± 0.25 1 PLC ± 0.15 2 PLC ± 0.1 3 PLC ± 0.05 ANGLES ± 2'	DWN S. HOU 03-SEP-2004	tyco TYCO HOLDINGS (BERMUDA) Electronics VII LTD. TAIWAN BRANCH NAME
MATERIAL SEE NOTE	CHK W.J. KE 03-SEP-2004	
FINISH SEE NOTE	APVD W.J. KE 03-SEP-2004	0.8 PITCH MINI PCI SOCKET, 6.0 HEIGHT, 124 POSITION
	PRODUCT SPEC 108-57437	LOC DW A ₃ C-1734027 REV B
	APPLICATION SPEC -	SCALE -- SHEET 1 OF 6
	WEIGHT 5.1 GRAM	

B	ADD P/N:1-3	FZ00-0205-04	SH WK	03SEP 2004
A	ADD P/N:-3	FZ00-0178-04	SH WK	13AUG 2004
O	FIRST RELEASED	FZ00-0250-03	JC JW	21OCT 2003
LTR	REVISION RECORD	ECN	DWN CHK	DATE

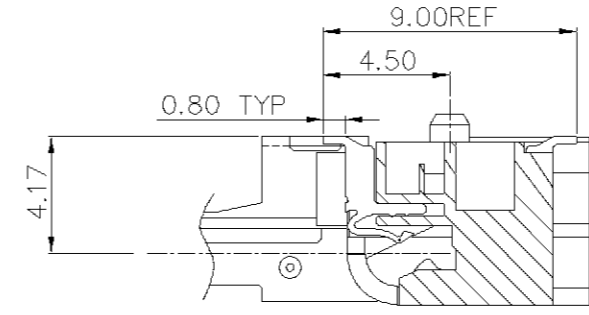
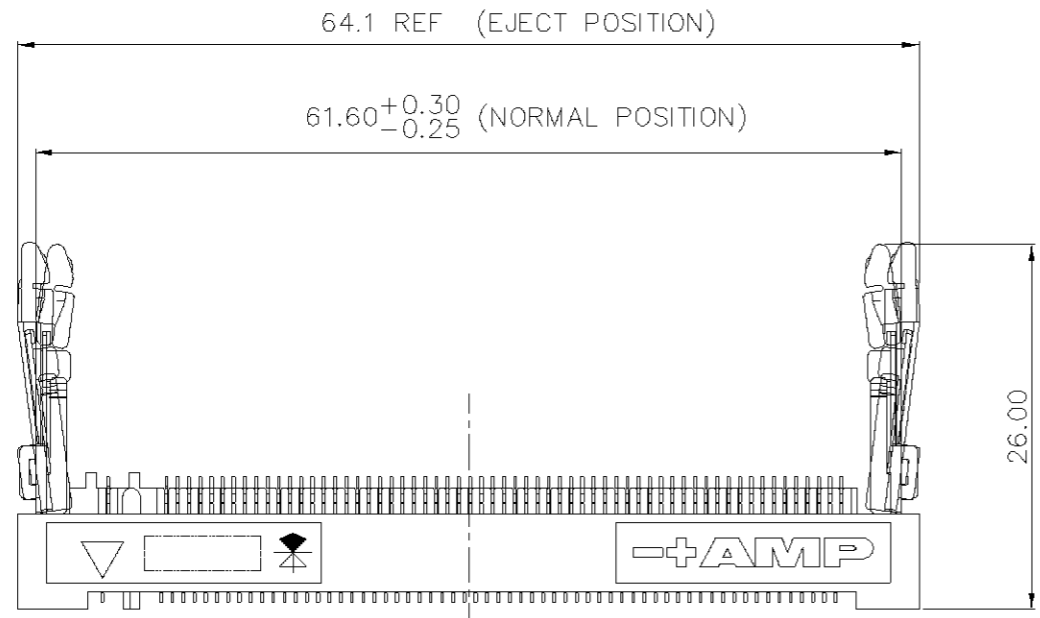
NUMBER
C-1734027



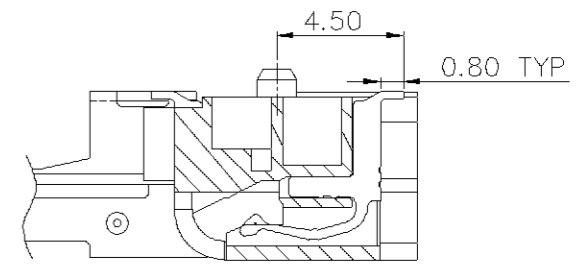
METRIC

THIS INFORMATION IS CONFIDENTIAL AND IS DISCLOSED TO YOU ON CONDITION THAT NO FURTHER DISCLOSURE IS MADE BY YOU TO OTHER THAN AMP PERSONNEL WITHOUT WRITTEN AUTHORIZATION FROM AMP (TAIWAN) LTD. DIMENSIONS IN MILLIMETERS. DO NOT SCALE PRINT.

PRINT DIST
DW



SEC A-A
SCALE 2:1



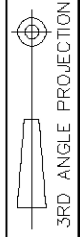
SEC B-B
SCALE 2:1

TOLERANCES UNLESS OTHERWISE SPECIFIED: 0 PLC ± 0.25 1 PLC ± 0.15 2 PLC ± 0.1 3 PLC ± 0.05 ANGLES ± 2'		DWN S. HOU 03-SEP-2004	tyco TYCO HOLDINGS (BERMUDA) Electronics VII LTD. TAIWAN BRANCH	
MATERIAL -		CHK W.J. KE 03-SEP-2004	NAME 0.8 PITCH MINI PCI SOCKET, 6.0 HEIGHT, 124 POSITION	
FINISH -		APVD W.J. KE 03-SEP-2004	LOC DW	REV B
SEE SHEET 1.		PRODUCT SPEC	SIZE A ₃	DRAWING NO C-1734027
LTR	REVISION RECORD	APPLICATION SPEC	SCALE --	SHEET 2 OF 6
ECN	DWN CHK	WEIGHT	DATE	

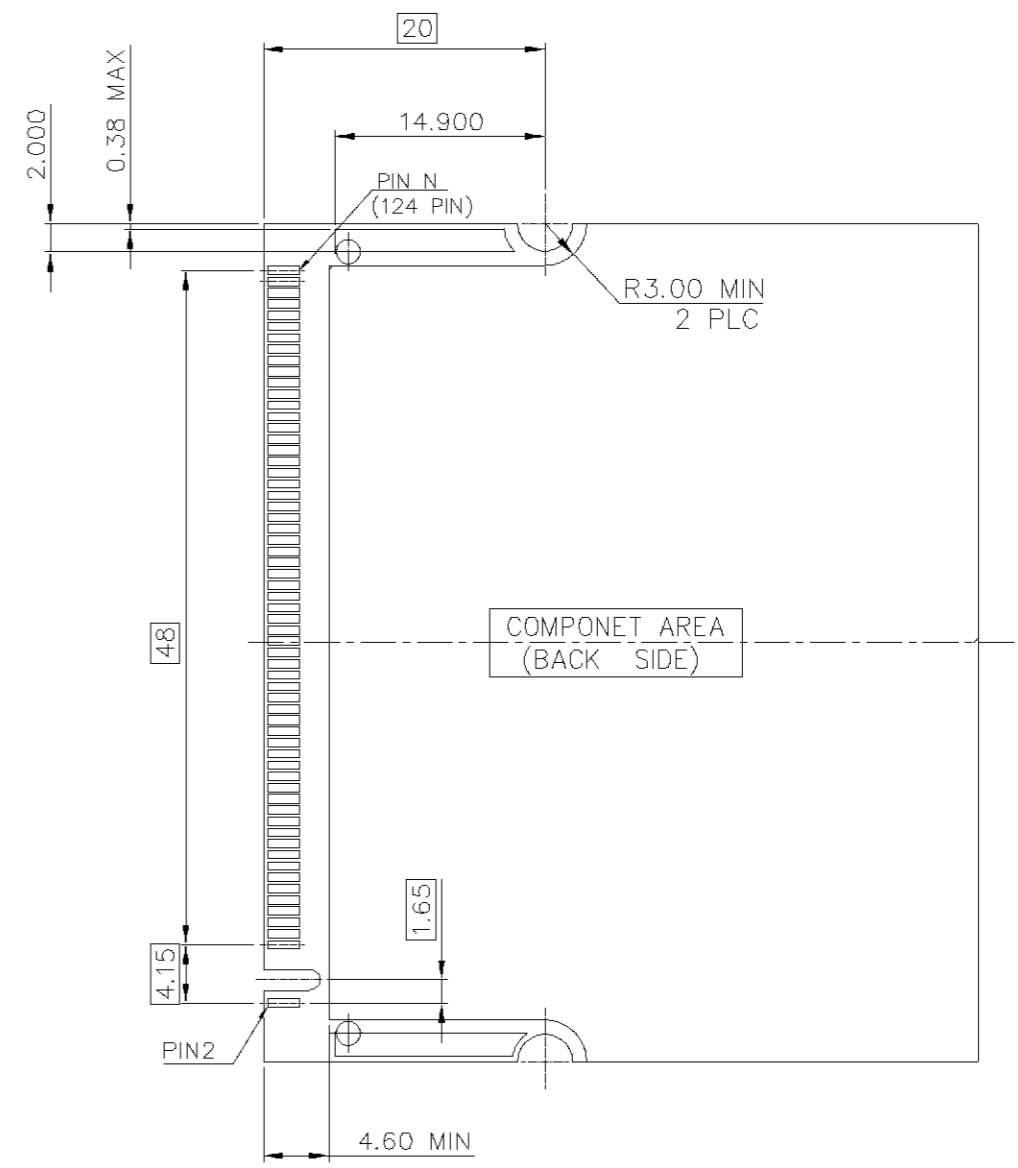
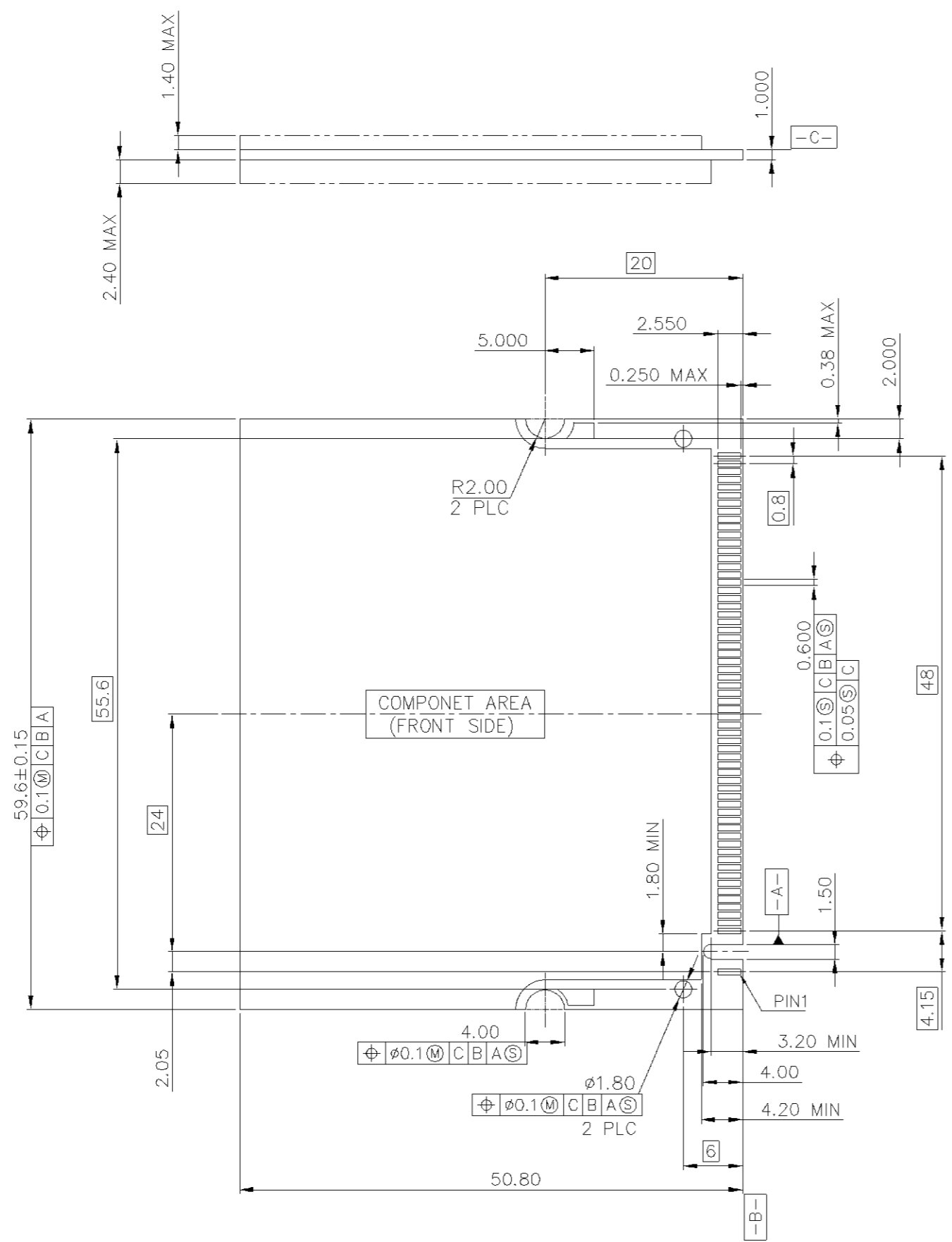
THIS INFORMATION IS CONFIDENTIAL AND IS DISCLOSED TO YOU ON CONDITION THAT NO FURTHER DISCLOSURE IS MADE BY YOU TO OTHER THAN AMP PERSONNEL WITHOUT WRITTEN AUTHORIZATION FROM AMP (TAIWAN) LTD. DIMENSIONS IN MILLIMETERS. DO NOT SCALE PRINT.

PRINT DIST
DW

METRIC



NUMBER
C-1734027



TOLERANCES UNLESS OTHERWISE SPECIFIED: 0 PLC ± 0.25 1 PLC ± 0.15 2 PLC ± 0.1 3 PLC ± 0.05 ANGLES ± 2'		DWN S. HOU 03-SEP-2004	TYCO HOLDINGS (BERMUDA) VII LTD. TAIWAN BRANCH NAME
MATERIAL -		CHK W.J. KE 03-SEP-2004	
FINISH -		APVD W.J. KE 03-SEP-2004	LOC DW
LTR		APPLICATION SPEC	SIZE A ₃
REVISION RECORD		WEIGHT	DRAWING NO C-1734027
ECN	DWN CHK	SCALE --	REV B
DATE		SHEET 3 OF 6	

SEE SHEET 1.			

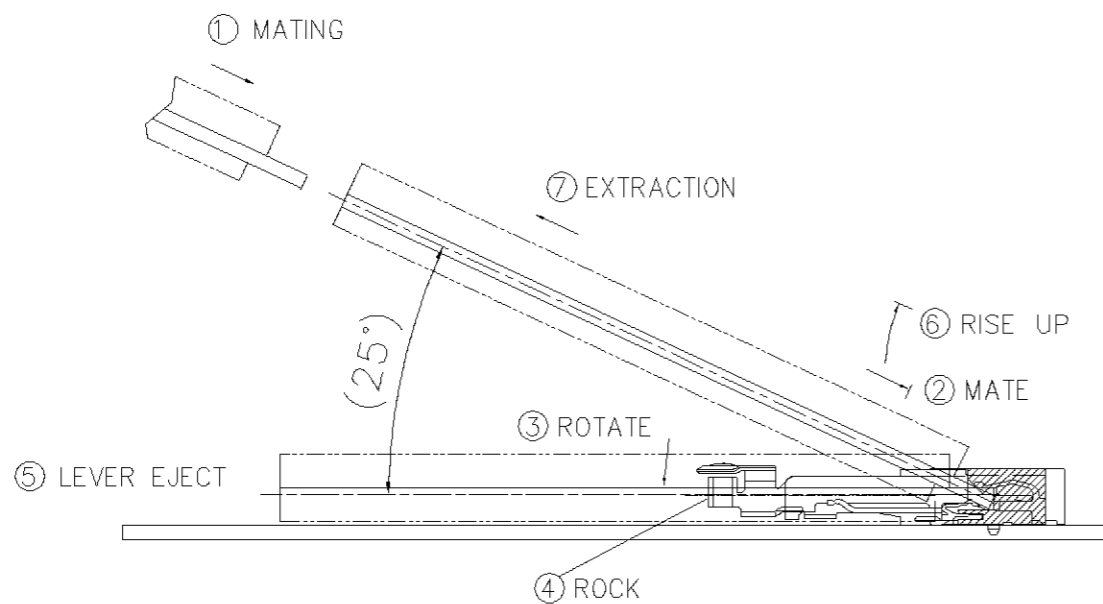
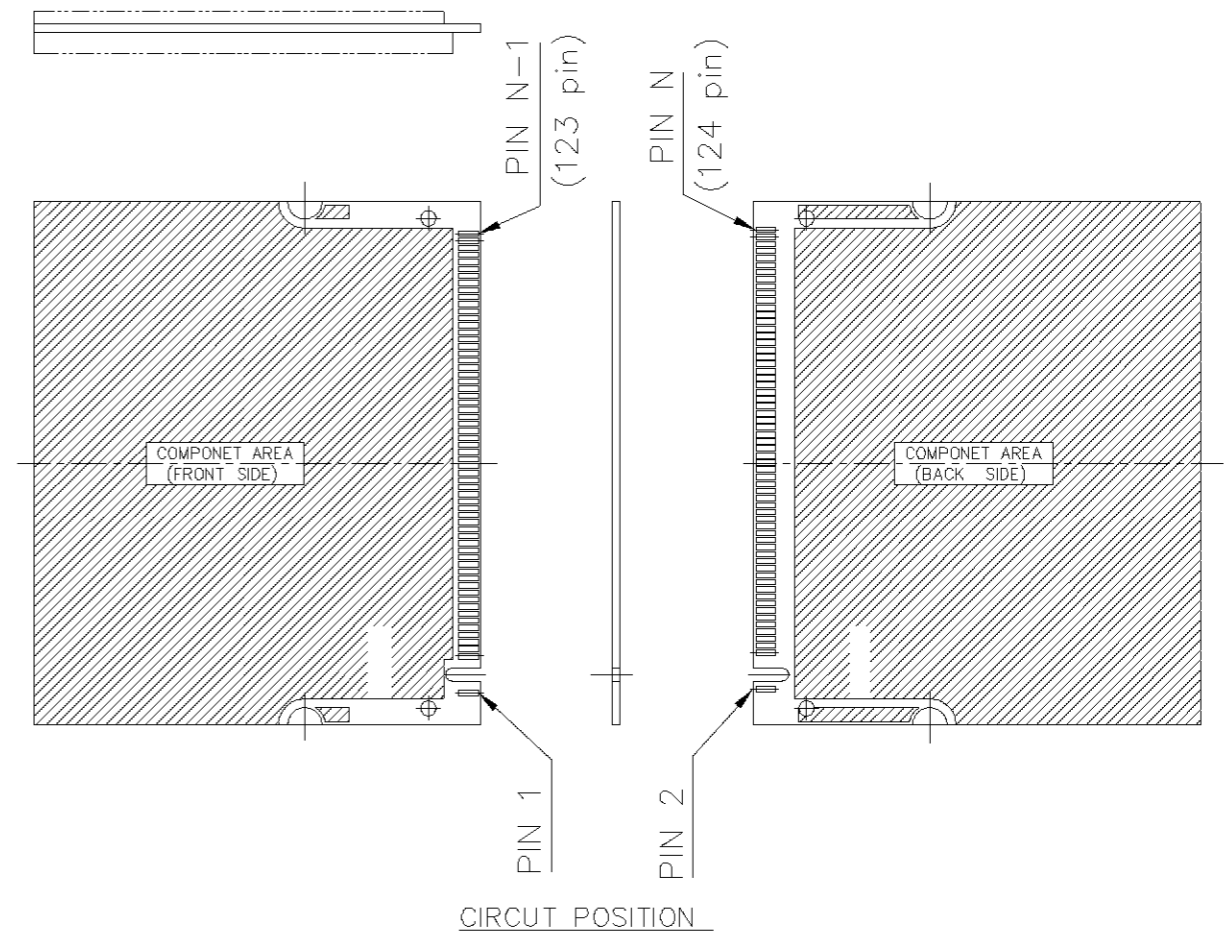
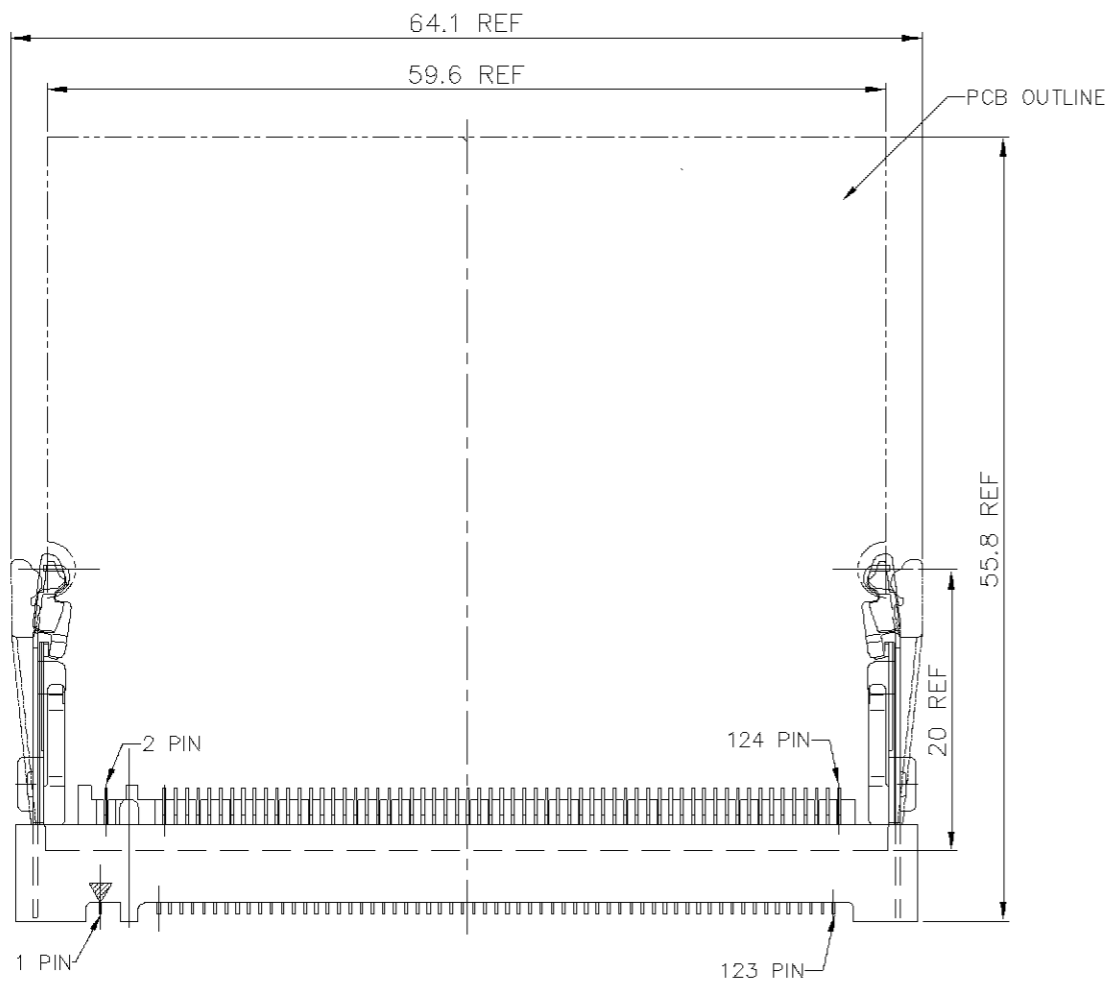
NUMBER
C-1734027

3RD ANGLE PROJECTION

METRIC

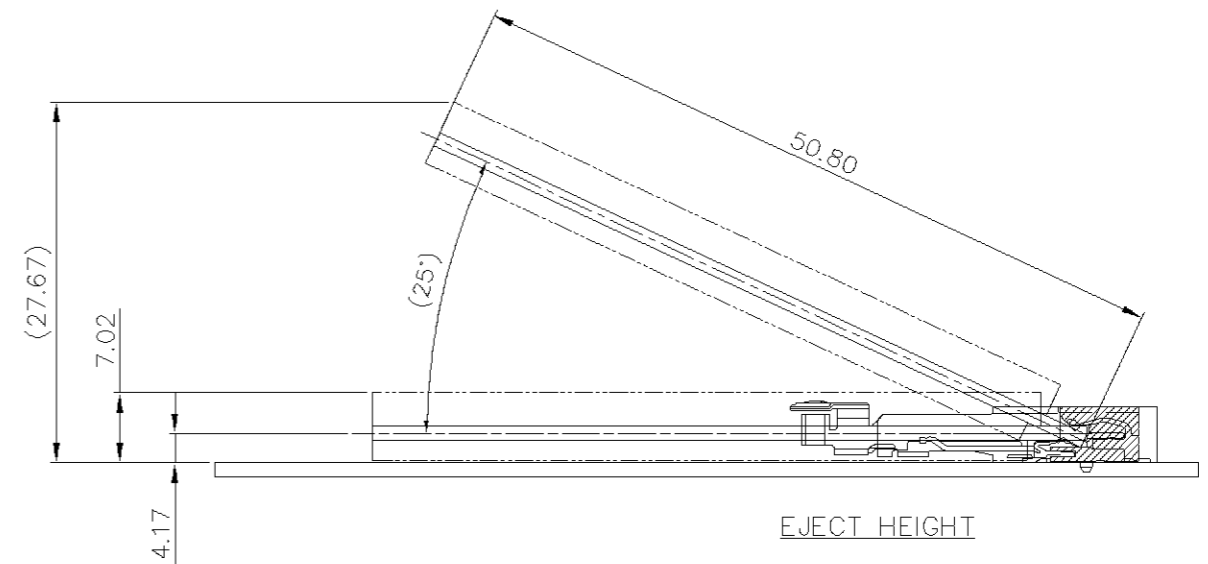
THIS INFORMATION IS CONFIDENTIAL AND IS DISCLOSED TO YOU ON CONDITION THAT NO FURTHER DISCLOSURE IS MADE BY YOU TO OTHER THAN AMP PERSONNEL WITHOUT WRITTEN AUTHORIZATION FROM AMP (TAIWAN) LTD. DIMENSIONS IN MILLIMETERS. DO NOT SCALE PRINT.

PRINT DIST
DW



HOW TO MATE AND UNMATE

MATE: ① ~ ④
UNMATE: ⑤ ~ ⑦

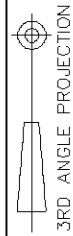


EJECT HEIGHT

TOLERANCES UNLESS OTHERWISE SPECIFIED: 0 PLC ±0.25 1 PLC ±0.15 2 PLC ±0.1 3 PLC ±0.05 ANGLES ±2'		DWN S. HOU 03-SEP-2004	tyco TYCO HOLDINGS (BERMUDA) Electronics VII LTD. TAIWAN BRANCH NAME
MATERIAL -		CHK W.J. KE 03-SEP-2004	
FINISH -		APVD W.J. KE 03-SEP-2004	0.8 PITCH MINI PCI SOCKET, 6.0 HEIGHT, 124 POSITION
		PRODUCT SPEC	LOC SIZE DRAWING NO REV DW A ₃ C-1734027 B
		APPLICATION SPEC	SCALE SHEET -- 4 OF 6
		WEIGHT	

SEE SHEET 1.			
LTR	REVISION RECORD	ECN	DWN CHK DATE

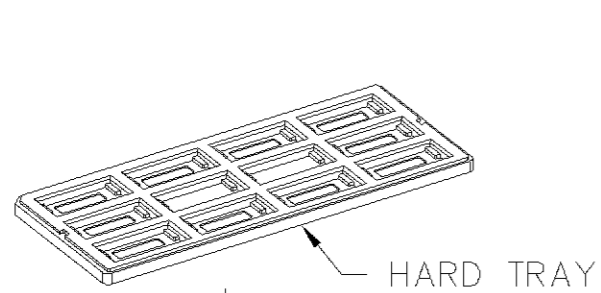
NUMBER
C-1734027



METRIC

THIS INFORMATION IS CONFIDENTIAL AND IS DISCLOSED TO YOU ON CONDITION THAT NO FURTHER DISCLOSURE IS MADE BY YOU TO OTHER THAN AMP PERSONNEL WITHOUT WRITTEN AUTHORIZATION FROM AMP (TAIWAN) LTD. DIMENSIONS IN MILLIMETERS. DO NOT SCALE PRINT.

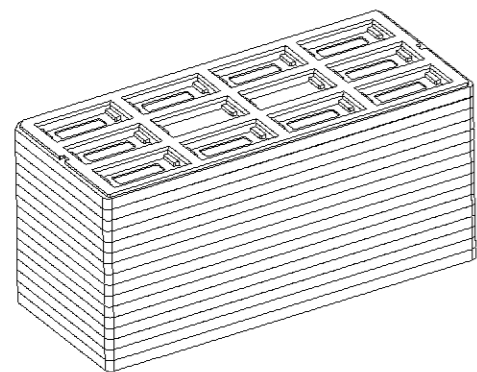
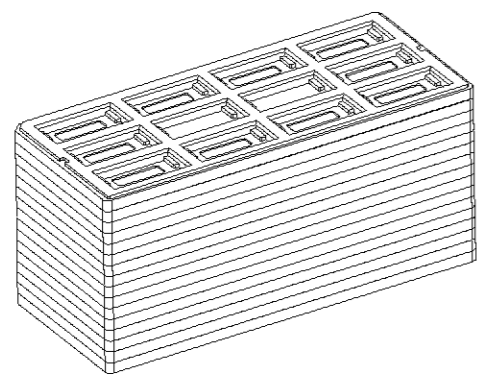
PRINT DIST
DW



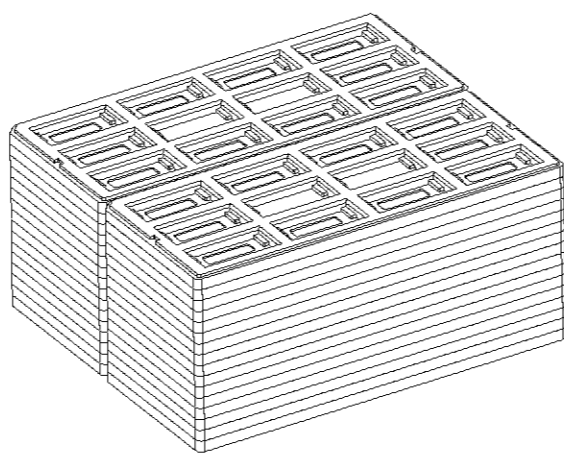
HARD TRAY



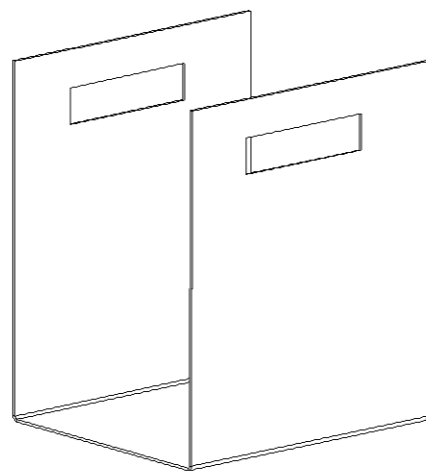
12PCS/HARDTRAY



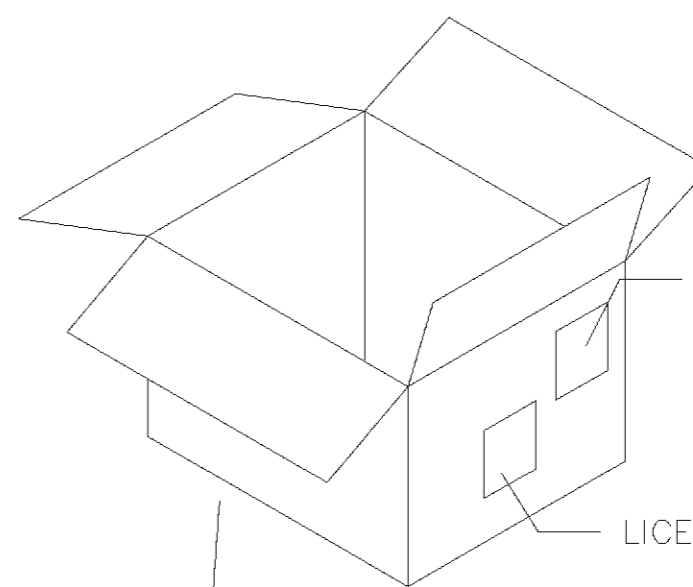
26 LAYERS HARDTRAY
THE TOP HARDTRAY IS EMPTY



CARTON
52PCS HARDTRAY/CARTON

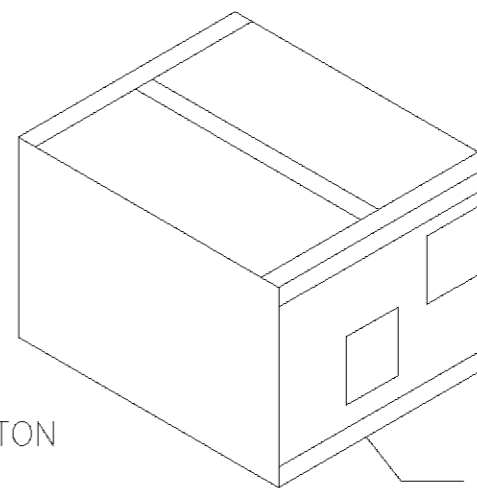


PAPER BOARD 1PCS/CARTON



LABEL

LICENCE TAG



TRANSPARENT
SEAL TAPE

8.8KG/CARTON	350X305X294	600 PCS
GROSS WEIGHT	CARTON SIZE	QT'Y/CARTON

TOLERANCES UNLESS OTHERWISE SPECIFIED: 0 PLC ± 1 PLC ± 2 PLC ± 3 PLC ± ANGLES ±	DWN	S. HOU	tyco TYCO HOLDINGS (BERMUDA) Electronics VII LTD. TAIWAN BRANCH	
		03-SEP-2004		
MATERIAL -	CHK	W.J. KE	NAME 0.8 PITCH MINI PCI SOCKET, 6.0 HEIGHT, 124 POSITION.	
		03-SEP-2004		
FINISH -	APVD	W.J. KE	LOC SIZE DRAWING NO DW A ₃ C-1734027	
		03-SEP-2004		
	PRODUCT SPEC		REV B	
	APPLICATION SPEC			
	WEIGHT		SHEET 5 OF 6	

SEE SHEET 1.			
LTR	REVISION RECORD	ECN	DWN/CHK/DATE

8 7 6 5 4 3 2 1 CUSTOMER DRAWING

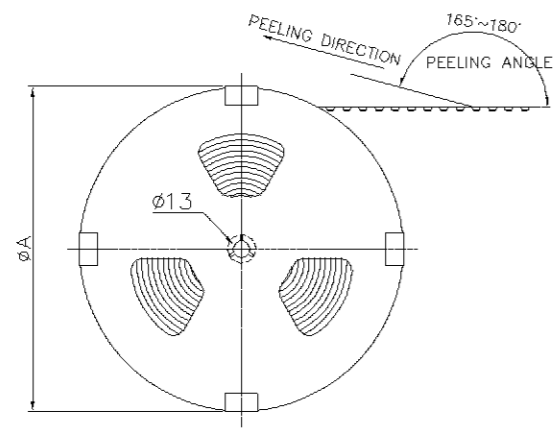
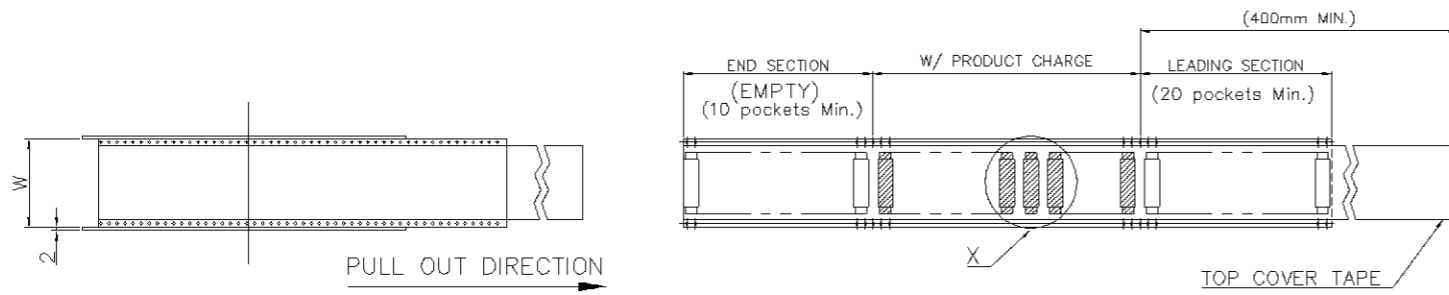
NUMBER
C-1470459

3RD ANGLE PROJECTION

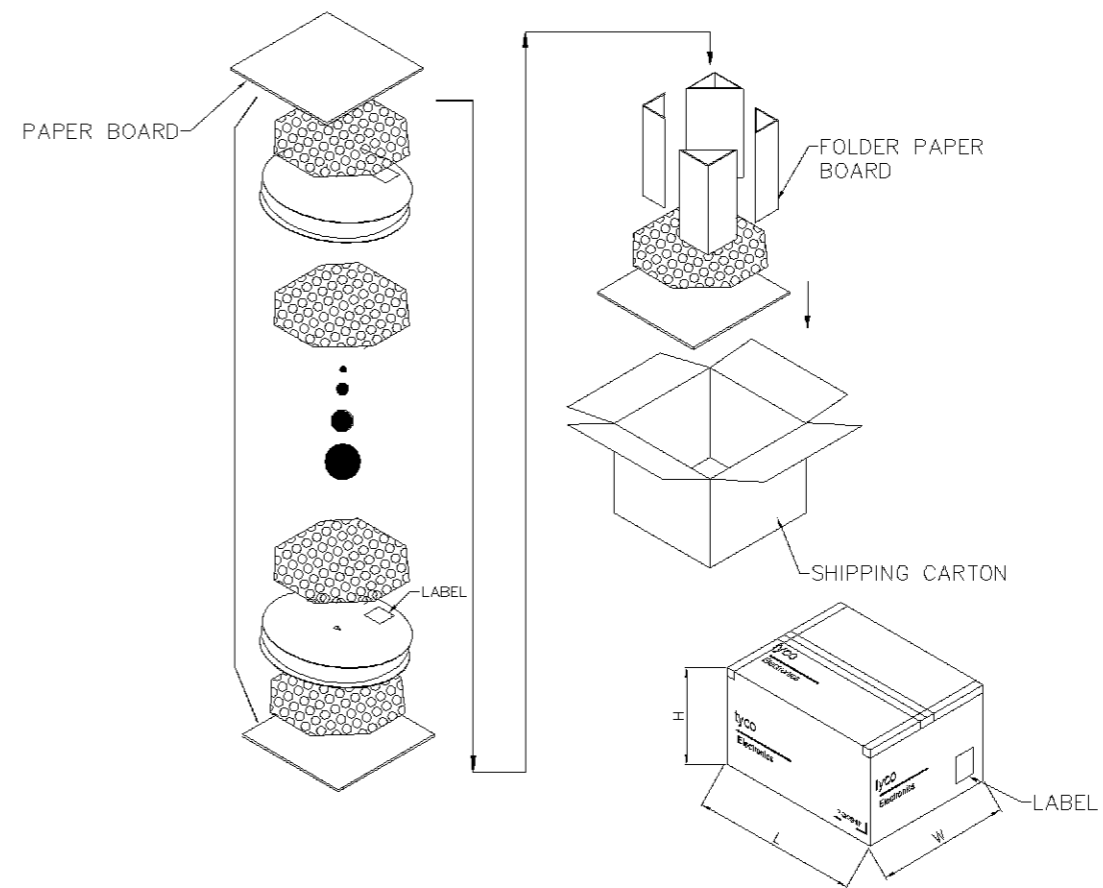
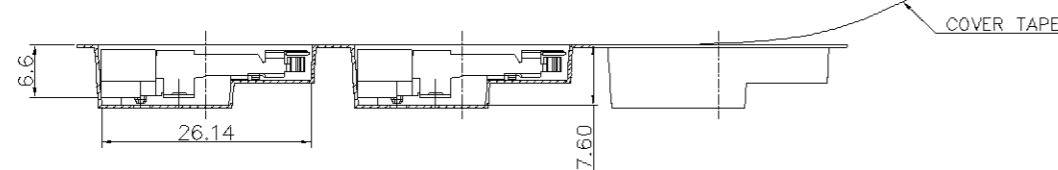
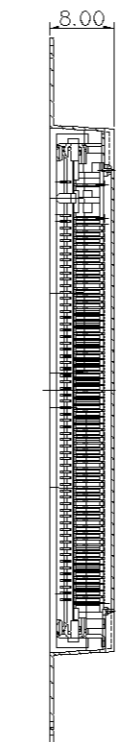
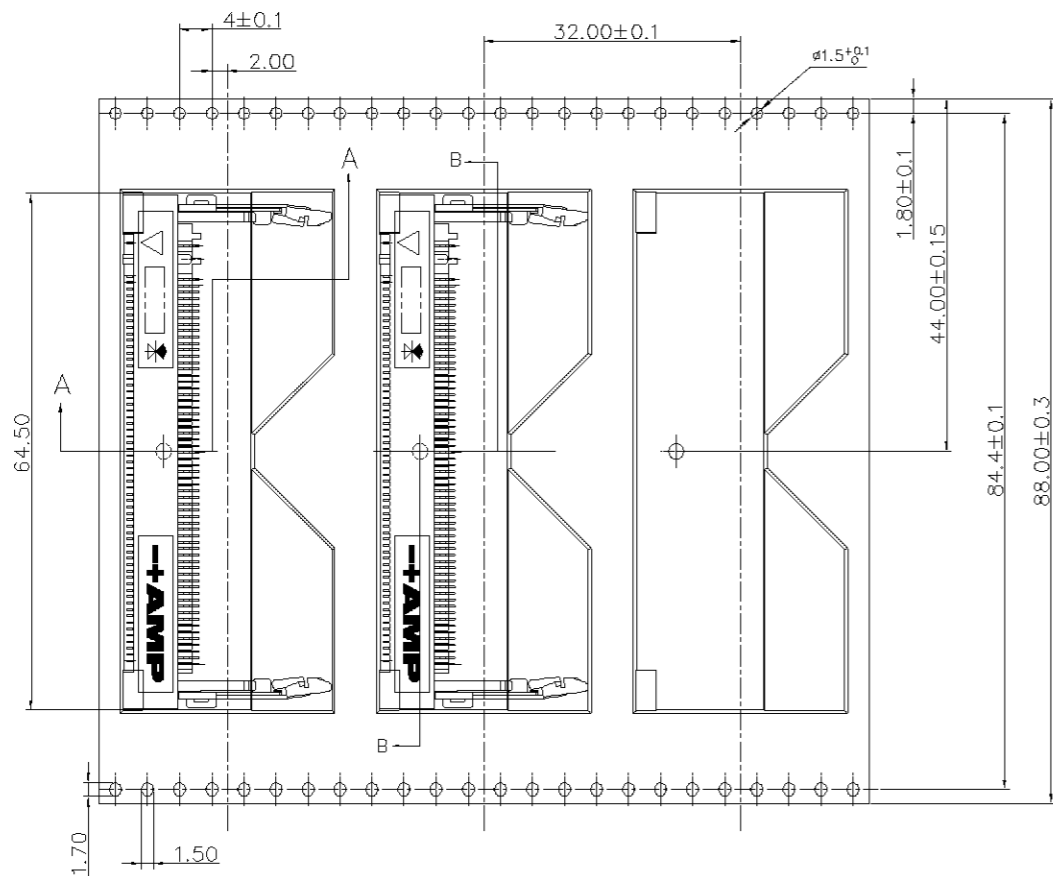
METRIC

THIS INFORMATION IS CONFIDENTIAL AND IS DISCLOSED TO YOU ON CONDITION THAT NO FURTHER DISCLOSURE IS MADE BY YOU TO OTHER THAN AMP PERSONNEL WITHOUT WRITTEN AUTHORIZATION FROM AMP (TAIWAN) LTD. DIMENSIONS IN MILLIMETERS. DO NOT SCALE PRINT.

PRINT DIST
DW



- NOTES:
- MATERIAL :
 - EMBOSSED CARRIER: PS
 - COVER TAPE: PS
 - SHIPPING CARTON: CORRUGATED FIBER
 - DIMENSION :
 - REEL: W=89.4, øA=330
 - SHIPPING CARTON: L=335, W=335, H=345
 - QUANTITY :
 - PRIMARY PACKING: 200PCS/REEL
 - SECONDARY PACKING: 3 REELS/CARTON(600PCS)
 - WEIGHT :
 - NET WEIGHT: 1.02Kg/REEL, 3.06Kg/CARTON.
 - GROSS WEIGHT: 1.51Kg/REEL, 5.98Kg/CARTON.
 - PEELING RESISTANCE: 0.1~0.7N(10.2gf~71.4gf).
 - PEELING SPEED: 300mm/minutes.



TOLERANCES UNLESS OTHERWISE SPECIFIED:		DWN	S. HOU	tyco TYCO HOLDINGS (BERMUDA)	
0 PLC ±		03-SEP-2004		VII LTD. TAIWAN BRANCH	
1 PLC ± 0.15		CHK	W.J. KE	NAME	
2 PLC ± 0.10		03-SEP-2004		0.8 PITCH MINI PCI SOCKET, 6.0 HEIGHT, 124 POSITION.	
3 PLC ± 0.05				LOC	
ANGLES ±2'				SIZE	
MATERIAL	APVD	W.J. KE		DRAWING NO	
-	03-SEP-2004		C-1734027		
FINISH	PRODUCT SPEC	-		REV	
-	APPLICATION SPEC	-		B	
WEIGHT	SCALE	---		SHEET	
				6 OF 6	

SEE SHEET 1.	ECN	DWN	CHK	DATE
LTR	REVISION RECORD			