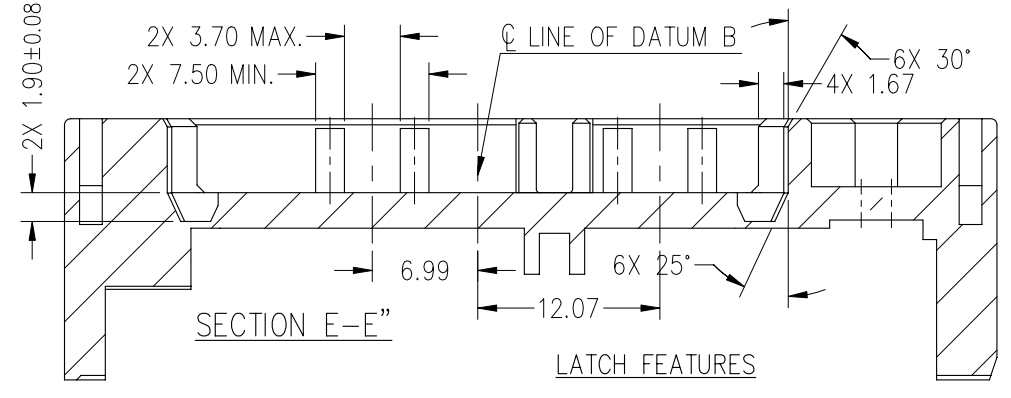
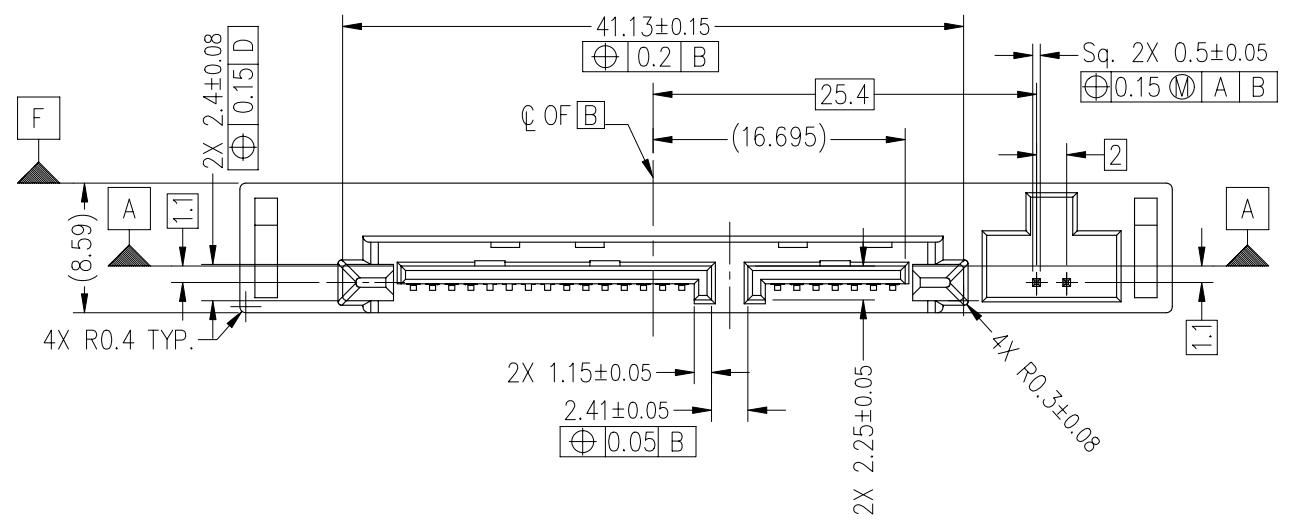
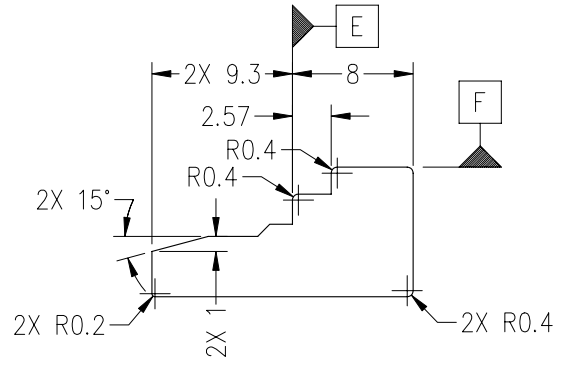
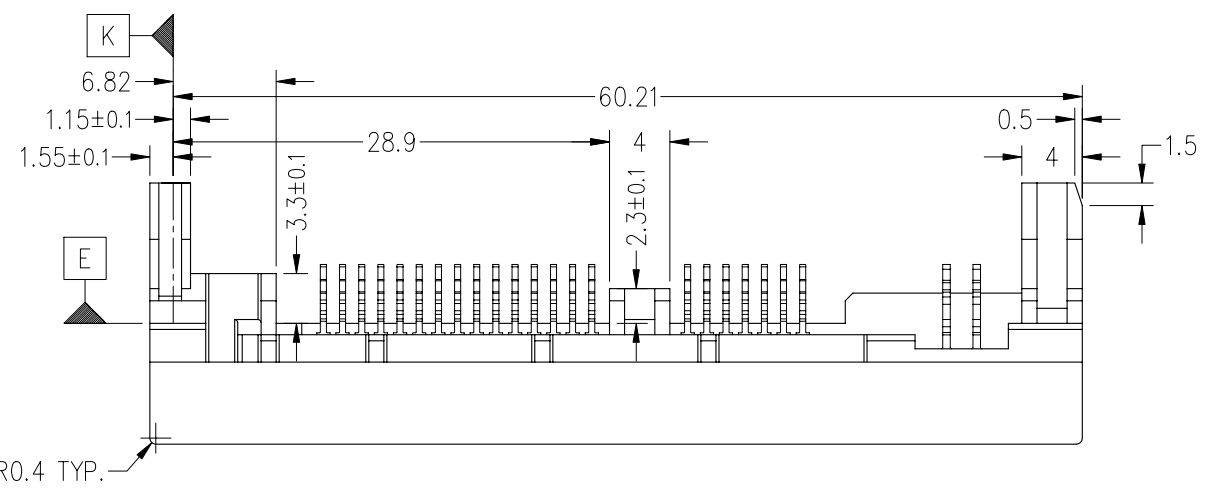
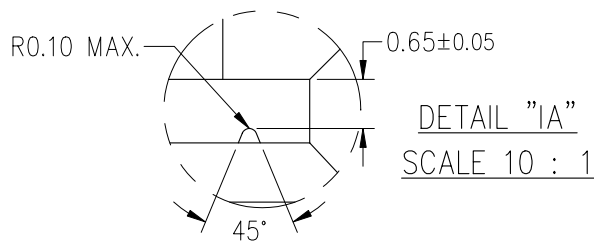


PRODUCT PART NO.
10108586-001LF



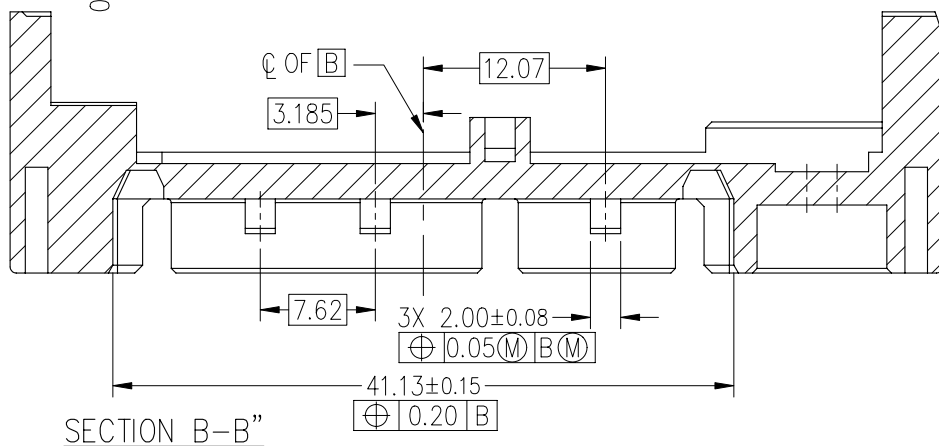
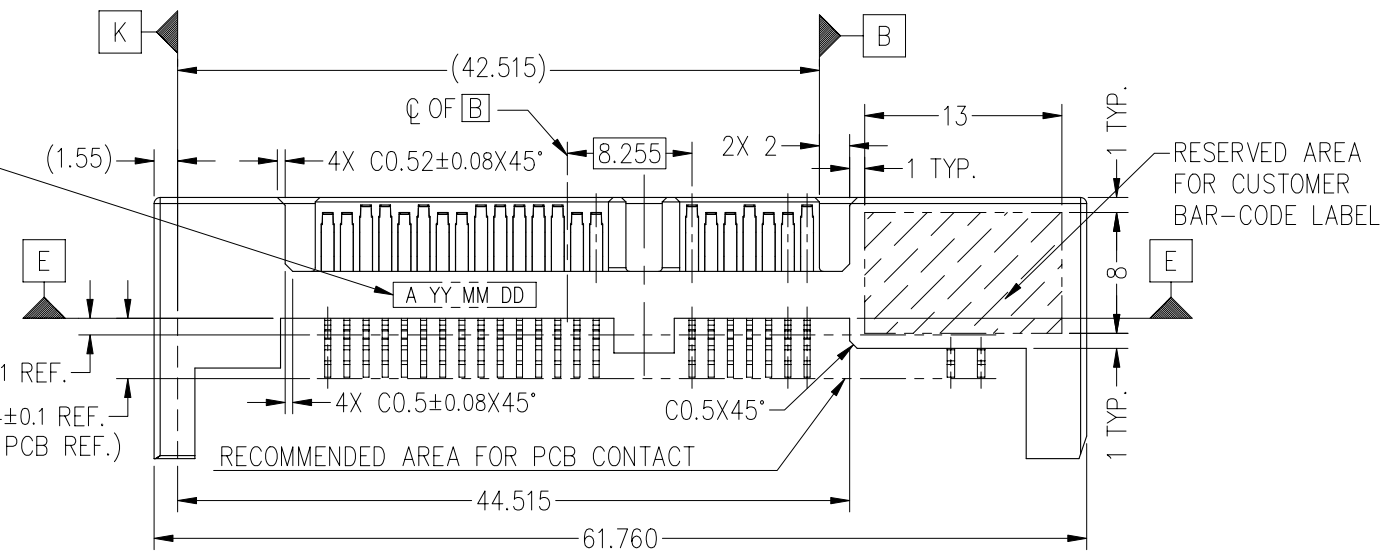
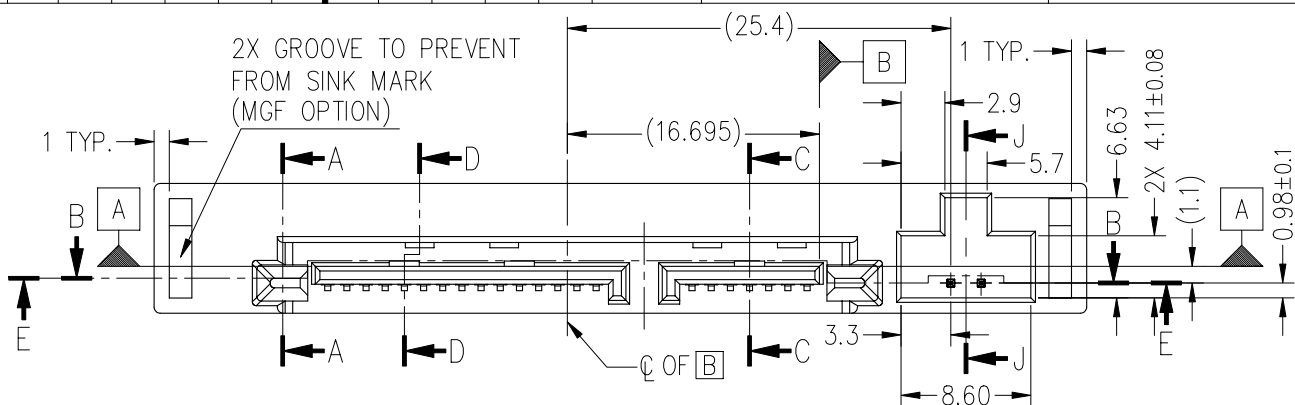
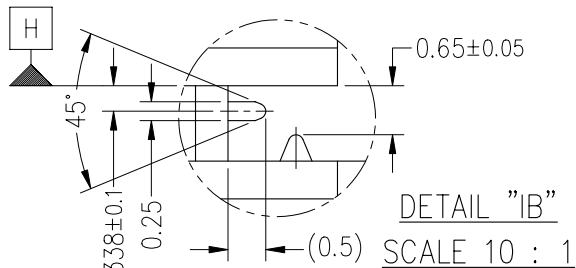
mat'l. code				tolerances unless otherwise specified			projection	product family	
ltr	ecn no	dr	date	angles	linear	mm	SATA COMBO PLUG		
A	S10-0049	SLLIM	100309				title		
B	S10-0101	SLLIM	100607	±2'	±.2	scale 2:1	SATA COMBO PLUG STRADDLE (SHORT)		
C	S10-0137	SLLIM	100701	dr	SLLIM		091014	dwg no	sheet 1 of 6
D	S10-0203	SLLIM	100920	engr	SLLIM	091014	10108586 A4		
				chr	SLLIM	091014	size		
				appd	JOEY NG	091015	type Product Customer Drawing		
sheet index	revision sheet	D	D	D	D	D			
		1	2	3	4	5			

FCJ logo



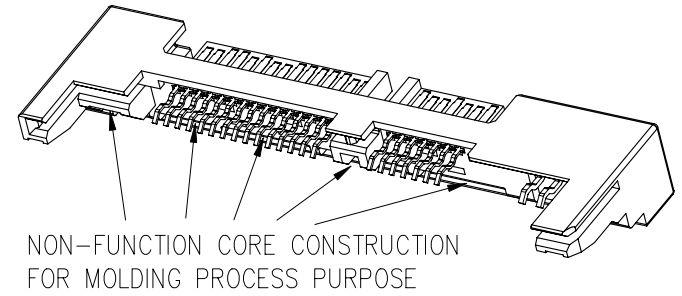
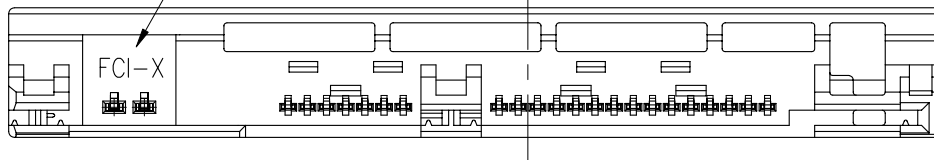
NOTE [4] RESERVED AREA FOR ASSY. DATE-CODE
DATE CODE APPROX. AS SHOWN

A: MACHINE
YY: YEAR
MM: MONTH
DD: DATE

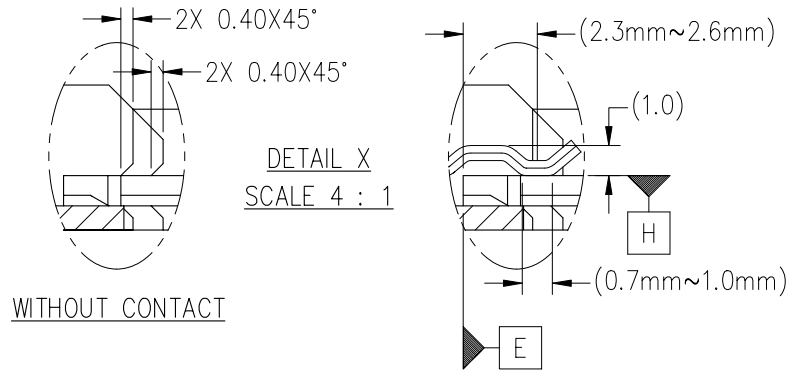


mat'l. code				tolerances unless otherwise specified			projection	product family	
ltr	ecn no	dr	date	angles	linear	mm	SATA COMBO PLUG		
D							±.2	title	
				±2'		scale 2:1	SATA COMBO PLUG STRADDLE (SHORT)		
				dr	SLIM	091014	dwg no	sheet 3 of 6	
				enr	SLIM	091014	10108586	size A4	
				chr	SLIM	091014	type Product Customer Drawing		
				appd	JOEY NG	091015			
sheet index		revision sheet							

NOTE 4: FCI LOGO & CAVITY "X" RUNNING NUMBER
 ("X" = A, B, C, D, E, F, G, H, J, K, L, M, N, P, Q, R)

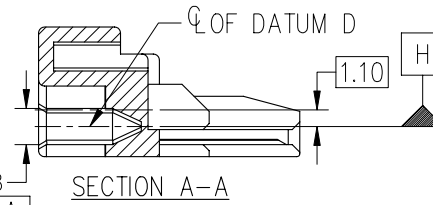


NON-FUNCTION CORE CONSTRUCTION FOR MOLDING PROCESS PURPOSE

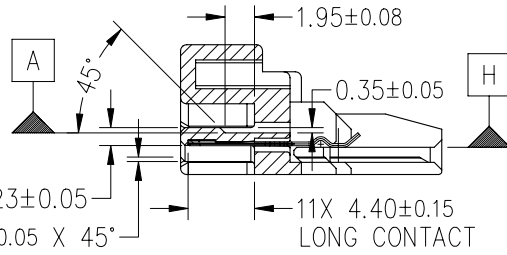
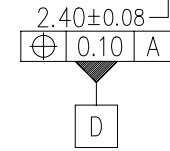


DETAIL X
SCALE 4 : 1

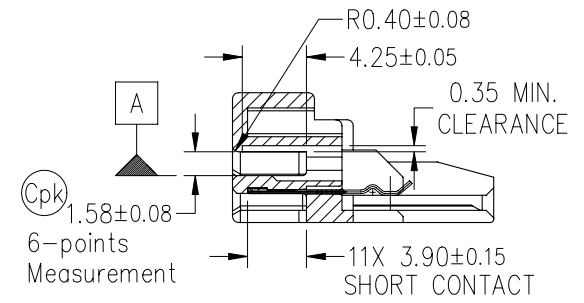
WITHOUT CONTACT



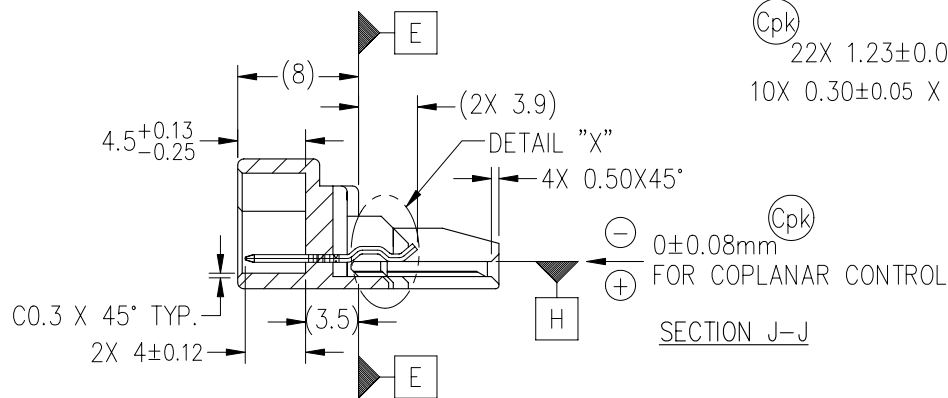
SECTION A-A



SECTION C-C



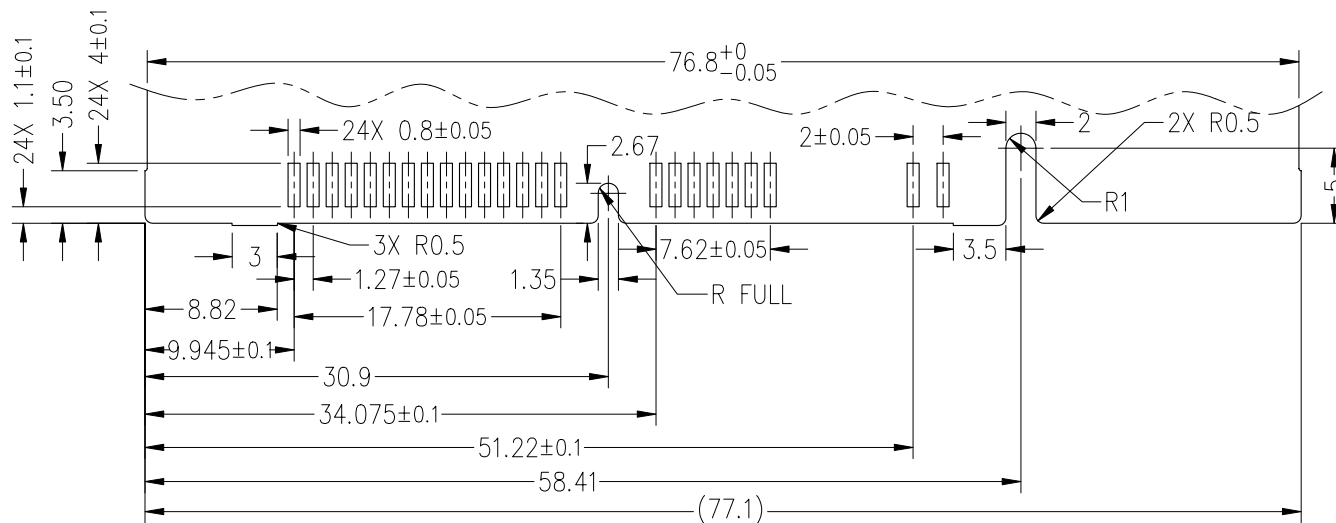
SECTION D-D



SECTION J-J

mat'l. code				tolerances unless otherwise specified			projection	product family	
itr ecn no dr date				angles linear			mm	SATA COMBO PLUG	
D				±2'				scale 2:1	title
				dr SLLIM 091014			SATA COMBO PLUG STRADDLE (SHORT)		
				enr SLLIM 091014			dwg no sheet 4 of 6 size		
				chr SLLIM 091014			10108586 A4		
				appd JOEY NG 091014			type Product Customer Drawing		
sheet index		revision sheet							





RECOMMENDED PC BOARD LAYOUT

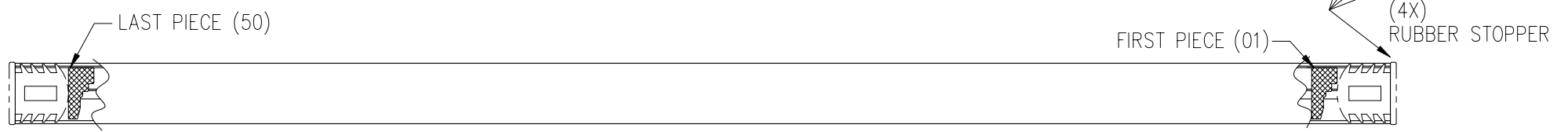
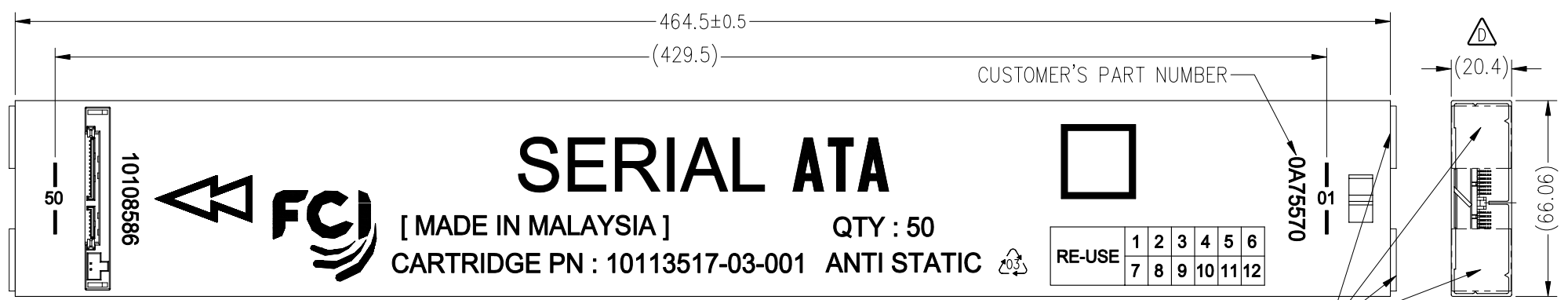
BOARD THICKNESS 0.796mm

NOTES :

1. MATERIAL:
 - A. HOUSING:
LCP MATERIAL, UL94V-0, COLOR: BLACK.
 - B. SATA TERMINAL: COPPER ALLOY.
 - C. JUMPER PIN: COPPER ALLOY.
2. FINISH:
 - A. SATA SIGNAL AND POWER PINS: (MATING SIDE)
1.27um [50u"] MINIMUM, 2.54um [100u"] MAXIMUM NICKEL UNDER PLATE WITH 0.05um [2u"] MINIMUM GOLD IN CONTACT AREA.
 - B. JUMPER PIN (MATING SIDE)
1.27um [50u"] MINIMUM, 2.54um [100u"] MAXIMUM NICKEL UNDER PLATE WITH 0.05um [2u"] MINIMUM GOLD IN CONTACT AREA.
 - C. ALL SOLDER TAILS (SATA AND JUMPER):
1.27um [50u"] MINIMUM, 2.54um [100u"] MAXIMUM NICKEL UNDER PLATE WITH 1.91um [75u"] MINIMUM PURE TIN IN CONTACT AREA.
 - D. LUBRICANT (C-9030) IS APPLIED ON THE CONTACT AREA AFTER PLATING.
3. DATUM [A] IS DEFINED AS THE TOP PORTION OF THE BLADE SURFACE.

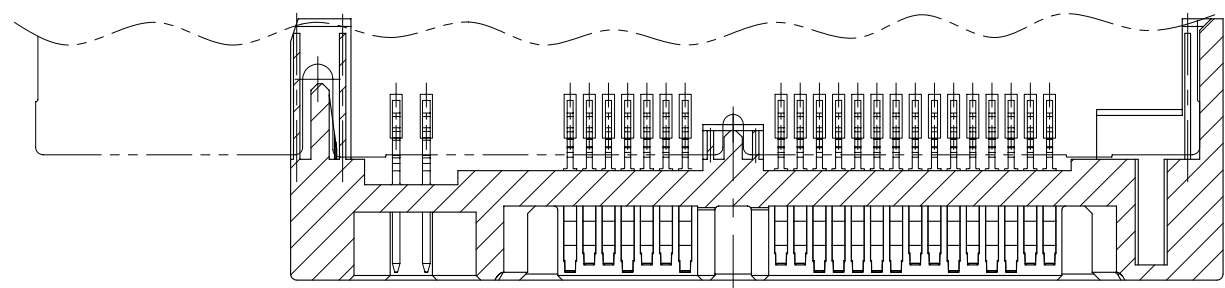
4. PART MARKING: MANUFACTURE NAME, LOGO AND / OR DATE CODE SHALL BE MARKED THE SURFACE OF THE CONNECTOR APPROXIMATELY WHERE SHOWN.
5. ALTERNATE CORING AND RIB CONSTRUCTION FOR MOLDING PROCESS.
6. THIS PRODUCT MEETS EUROPEAN UNION DIRECTIVES AND OTHER COUNTRY REGULATIONS AS DESCRIBED IN GS-22-008 .
7. A \triangle SYMBOL WILL BE NEXT TO ANY DIMENSION, NEW VIEW, OR NOTE WHICH HAS BEEN MODIFIED WITH THE CURRENT DRAWING REVISION.
8. UNLESS OTHERWISE SPECIFIED, TYPICAL WALL THICKNESS (1.0 mm).
9. INTERPRET DIMENSION ACCORDING TO ASME Y14.4M - 1994.

mat'l. code				tolerances unless otherwise specified			projection	product family			
ltr				ecn no		dr		date		SATA COMBO PLUG	
D										title	
				angles		linear		mm		SATA COMBO PLUG STRADDLE (SHORT)	
				±2'		±.2		scale 2:1		dwg no	
				dr		SLLIM		091014		sheet 5 of 6	
				enrg		SLLIM		091014		size	
				chr		SLLIM		091014		10108586	
				appd		JOEY NG		091014		A4	
				sheet index		revision sheet				type	
										Product Customer Drawing	



RECOMMENDED CONNECTOR TUBE LAYOUT

* PACKING SIZE: 50 CONNECTORS PER CARTRIDGE TUBE



RECOMMENDED PC-BOARD LAYOUT

mat'l. code				tolerances unless otherwise specified			projection	product family	
ltr	ecn no	dr	date				SATA COMBO PLUG		
D				angles	linear		title		
				±2'		mm	SATA COMBO PLUG STRADDLE (SHORT)		
				dr	SLLIM	091014	scale 2:1		
				enr	SLLIM	091014	dwg no		
				chr	SLLIM	091014	sheet 6 of 6		
				appd	JOEY NG	091014	size		
sheet index		revision sheet						A4	
						type		Product Customer Drawing	

FCIconnect.com

Copyright FCI