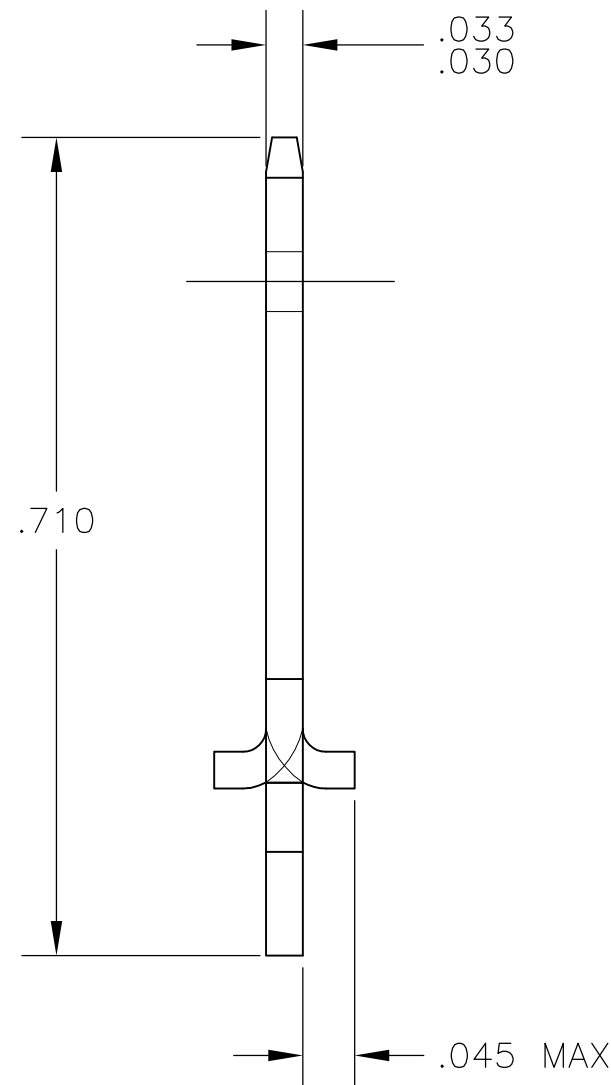
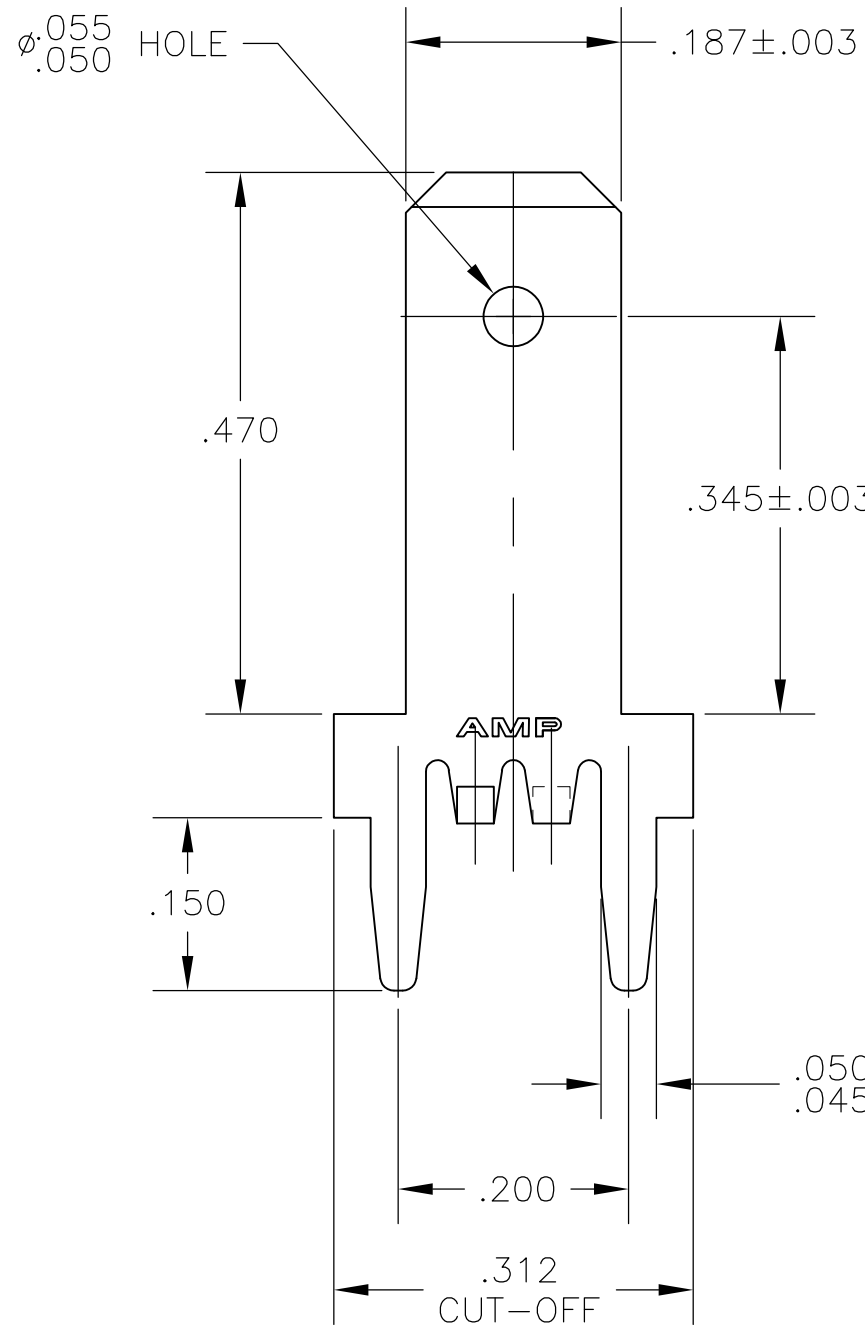
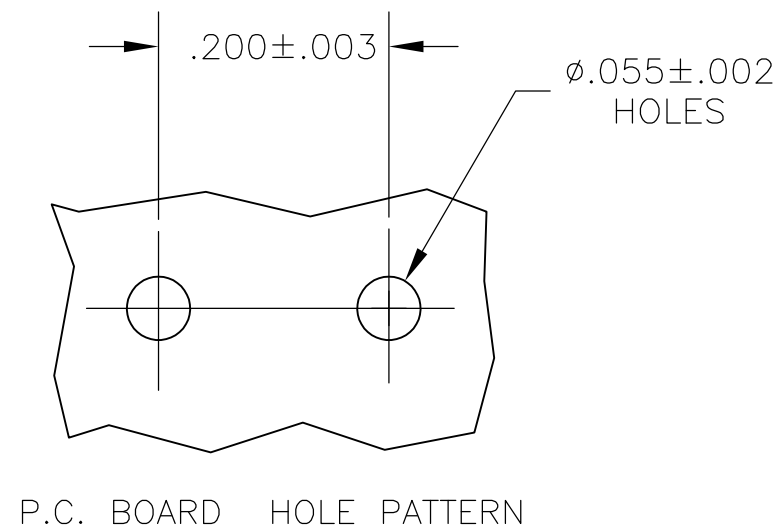


THIS DRAWING IS UNPUBLISHED. RELEASED FOR PUBLICATION
 © COPYRIGHT BY TYCO ELECTRONICS CORPORATION. ALL RIGHTS RESERVED.

LOC	DIST	REVISIONS					
AF	50	P	LTR	DESCRIPTION	DATE	DWN	APVD
			D1	REV PER ECR-11-003939	22FEB11	JR	PD



- 1 CONTINUOUS STRIP ON REELS.
- 2 TIN PLATE .000150 MIN OVER .000100 MIN THK COPPER OR TIN PLATE .000150 MIN OVER .000050 MIN THK NICKEL.



1217124-1
 PART NO.

THIS DRAWING IS A CONTROLLED DOCUMENT.		DWN	JR RUTH	23MAR01	Tyco Electronics Corporation Harrisburg, PA 17105-3608		
DIMENSIONS: INCHES		CHK	MS FEHER	23MAR01			
TOLERANCES UNLESS OTHERWISE SPECIFIED:		APVD	N DEIBERT	23MAR01	NAME		
0 PLC ± - 1 PLC ± - 2 PLC ± .010 3 PLC ± - 4 PLC ± - ANGLES ± -		PRODUCT SPEC		TAB, FASTON, P.C.BOARD			
MATERIAL		APPLICATION SPEC		4.75 [.187]			
082 BRASS		FINISH		SIZE			
		2		CAGE CODE		DRAWING NO	
				A3 00779		G-1217124	
				RESTRICTED TO			
				CUSTOMER DRAWING		SCALE 6:1	
				SHEET 1 OF 1		REV D1	