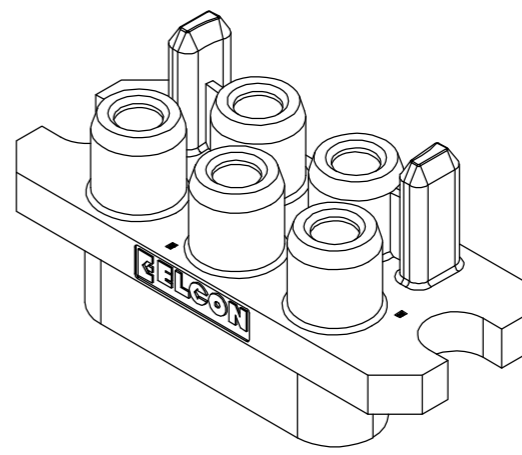
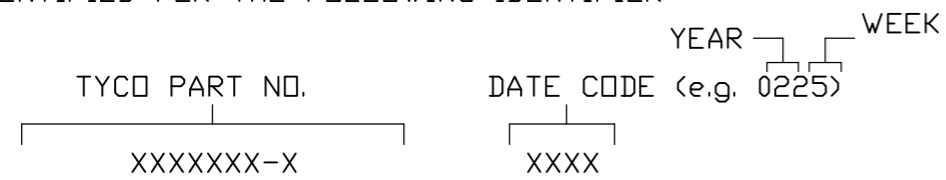


This drawing involves proprietary design rights of ELCON PRODUCTS INT'L Co., and all design, manufacture, reproduction, use and sale rights regarding the same are expressly reserved. It is submitted for a specific purpose and the recipient by accepting this drawing, assumes custody and control and agrees to take reasonable precautions; (a) that this drawing will not be copied and reproduced, in whole or in part, or its contents revealed in any manner, or to any person except to meet the purpose for which it was delivered and (b) that any special features peculiar to this design will not be incorporated in other projects without the expressed written permission of ELCON PRODUCTS INTERNATIONAL CO.

| REVISIONS |     |             |         |
|-----------|-----|-------------|---------|
| ECO       | REV | DESCRIPTION | DATE    |
| -         | A   | NEW RELEASE | 14MAR06 |



6 ITEM PROVIDED TO THIS SPECIFICATION TO BE PERMANENTLY IDENTIFIED PER THE FOLLOWING IDENTIFIER:



5. REFERENCE DIMENSION (X.XX) IS WITHOUT TOLERANCE AND USED FOR INFORMATION ONLY.

4 MOUNTING HARDWARE: SHOULDER SCREW REF. TYCO PN 1650596-1 TO BE ORDERED SEPARATELY. SHOWN FOR REFERENCE ONLY.

3 CONNECTOR HOUSING ONLY, ALL SOCKET CONTACTS TO BE PURCHASED SEPARATELY.

2. MATERIALS:  
 HOUSINGS: THERMOPLASTIC, GLASS REINFORCED, UL94V-0 FLAMMABILITY RATED, COLOR-BLACK.  
 RETENTION CLIPS: BERYLLIUM COPPER OR STAINLESS STEEL.

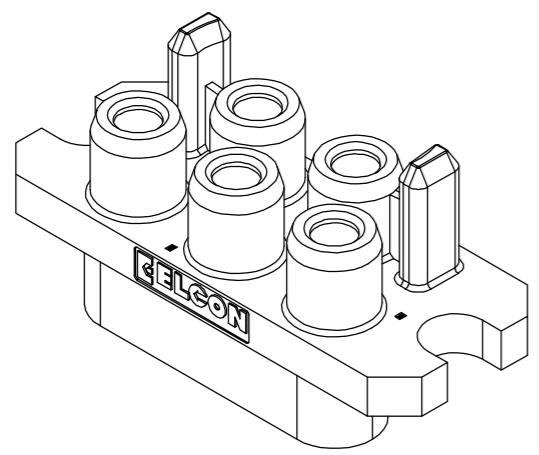
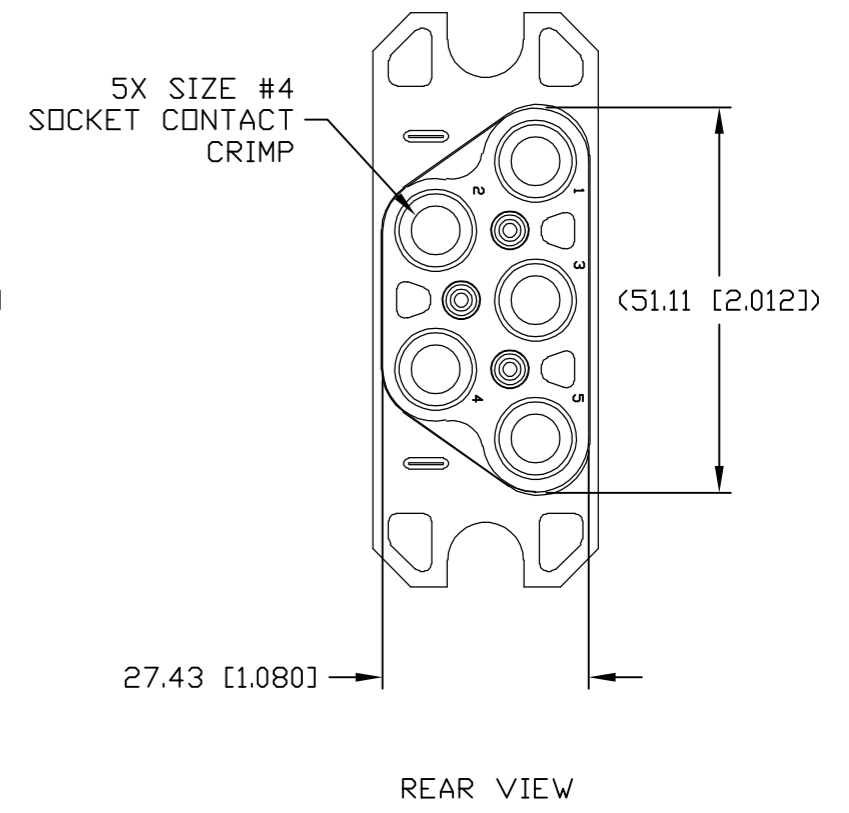
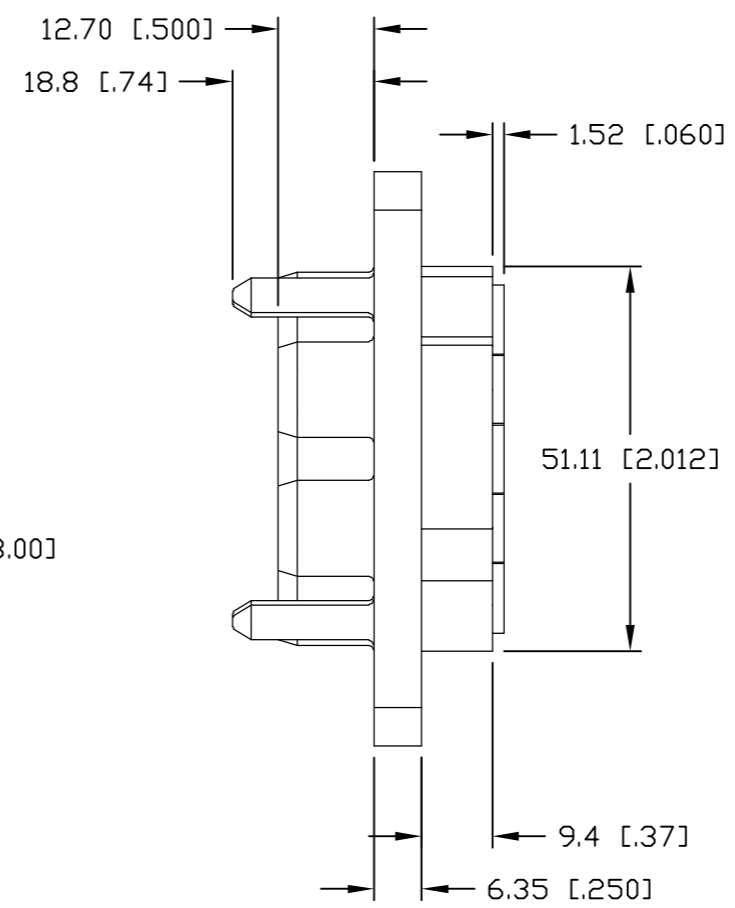
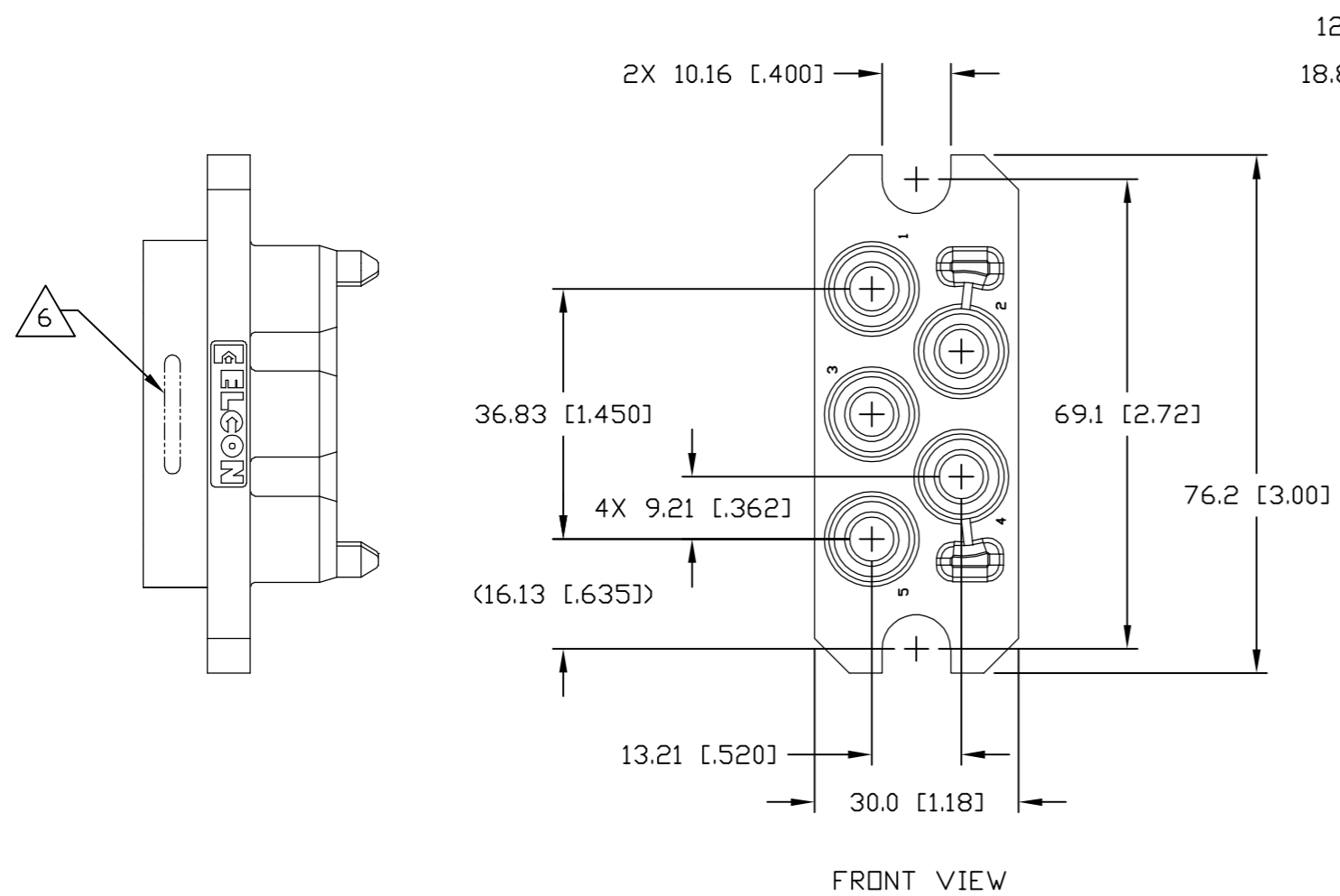
1. PART NUMBER CHANGES AND/OR DESIGN CHANGES AFFECTING ITEM INTERCHANGEABILITY REQUIRE PRIOR ELCON APPROVAL AND AUTHORIZATION BY REVISION TO THIS DRAWING.

| TABLE 1 |           |            |             |               |                          |
|---------|-----------|------------|-------------|---------------|--------------------------|
| CONN    | CONN. P/N | CONT. SIZE | CONTACT QTY | CONTACT P/N   | TERMINATION STYLE        |
| SOCKET  | 6651451-1 | 4          | UP TO 5     | NO CONTACTS 3 | CONSULT TYCO FOR OPTIONS |

|   |                              |                 |  |                       |
|---|------------------------------|-----------------|--|-----------------------|
| ← MM OR MM [INCH]<br>INCH<br><br>THIRD ANGLE PROJECTION<br>UNLESS OTHERWISE SPECIFIED DIMENSIONS ARE IN MILLIMETERS [INCH]<br>TOLERANCES<br>ANGLES ± .5°<br>DECIMALS<br>.XX ± .25 [.010]<br>.X ± .5 [.02] | DRAWN<br>R.GRZYBOWSKI        | DATE<br>14MAR06 | <br>PRODUCTS INTERNATIONAL COMPANY<br>P.O. Box 1885<br>Fremont, California 94538<br>TEL (510) 490-4200 |                       |
|   | CHECKED<br>S.FLICKINGER      | 14MAR06         |  |                       |
|   | APPROVED                     |                 | TITLE<br>SUBASSEMBLY SOCKET CONNECTOR<br>POWER CUSTOM DRAWER<br>P5S0 DRAWER                            |                       |
|   | APPROVED<br>S.FLICKINGER     |                 | SIZE<br>B  | DWG NUMBER<br>6651451 |
|   | ACAD FILE NUMBER<br>6651451A |                 | DWG SCALE 1=1  | SH 1 OF 4             |

This drawing involves proprietary design rights of ELCON PRODUCTS INT'L Co., and all design, manufacture, reproduction, use and sale rights regarding the same are expressly reserved. It is submitted for a specific purpose and the recipient by accepting this drawing, assumes custody and control and agrees to take reasonable precautions; (a) that this drawing will not be copied and reproduced, in whole or in part, or its contents revealed in any manner, or to any person except to meet the purpose for which it was delivered and (b) that any special features peculiar to this design will not be incorporated in other projects without the expressed written permission of ELCON PRODUCTS INTERNATIONAL CO.

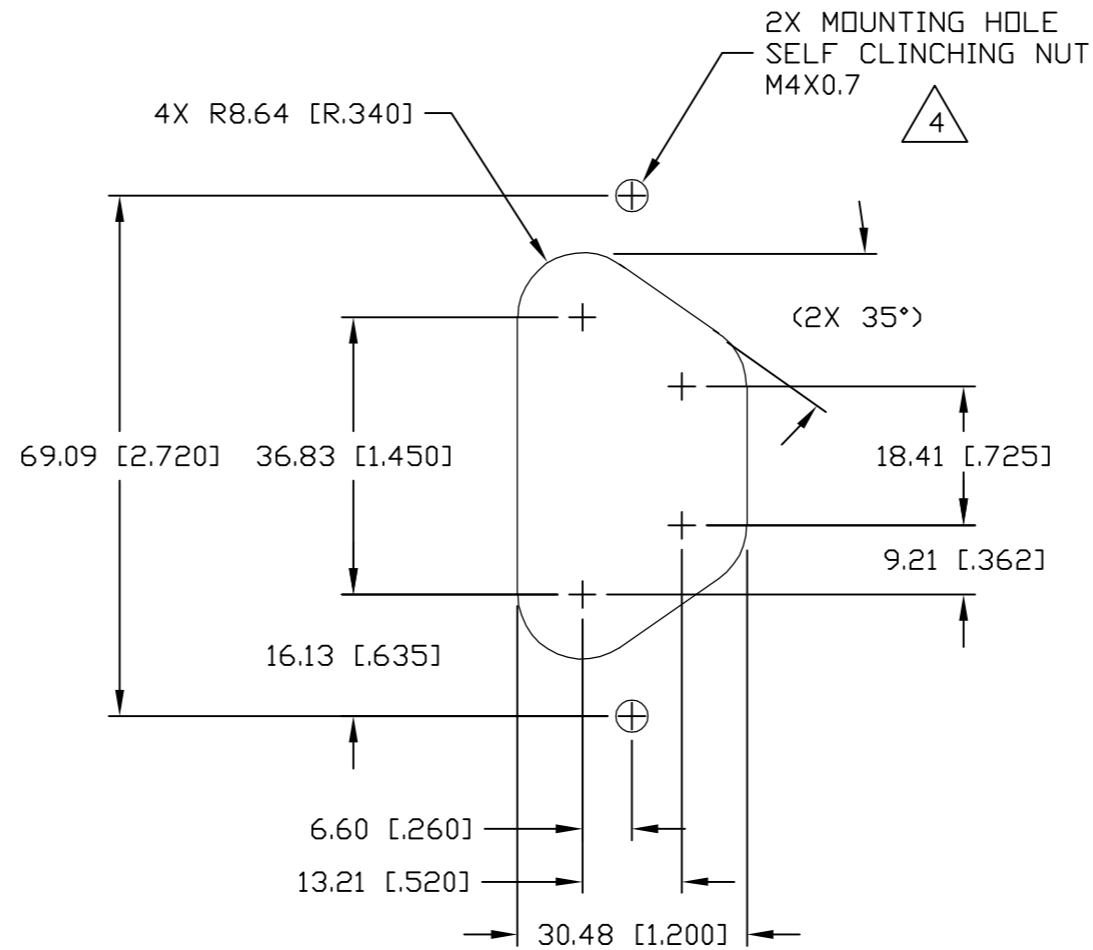
| REVISIONS |     |             | DATE |
|-----------|-----|-------------|------|
| ECO       | REV | DESCRIPTION | DATE |
|           |     | SEE SHEET 1 |      |



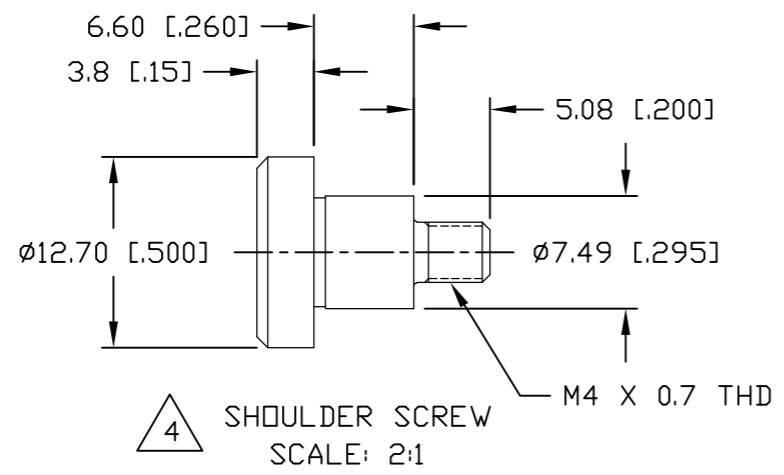
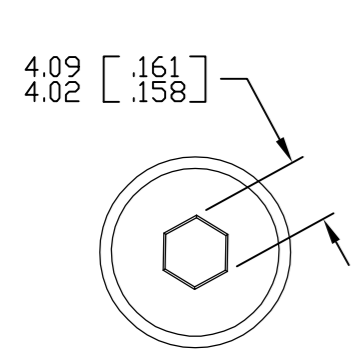
|   |                          |                              |  |   |                       |
|---|--------------------------|------------------------------|--|---|-----------------------|
| ← MM OR MM [INCH]<br>INCH<br><br>THIRD ANGLE PROJECTION<br>UNLESS OTHERWISE SPECIFIED DIMENSIONS ARE IN MILLIMETERS [INCH]<br>TOLERANCES<br>ANGLES ± .5°<br>DECIMALS<br>.XX ± .25 [ .010 ]<br>.X ± .5 [ .02 ] | DRAWN<br>R.GRZYBOWSKI    | DATE<br>14MAR06              | <br>PRODUCTS INTERNATIONAL COMPANY<br>P.O. Box 1885<br>Fremont, California 94538<br>TEL (510) 490-4200 |   |                       |
|   | CHECKED<br>S.FLICKINHER  | 14MAR06                      |  | TITLE<br>SUBASSEMBLY SOCKET CONNECTOR<br>POWER CUSTOM DRAWER<br>P5S0 DRAWER |                       |
|   | APPROVED<br>S.FLICKINGER | 14MAR06                      | SIZE<br>B  |   | DWG NUMBER<br>6651451 |
|   | APPROVED<br>DCA APPROVED | ACAD FILE NUMBER<br>6651451A | DWG SCALE<br>1 = 1   | SH 2 OF 4   |                       |

This drawing involves proprietary design rights of ELCON PRODUCTS INT'L Co., and all design, manufacture, reproduction, use and sale rights regarding the same are expressly reserved. It is submitted for a specific purpose and the recipient by accepting this drawing, assumes custody and control and agrees to take reasonable precautions; (a) that this drawing will not be copied and reproduced, in whole or in part, or its contents revealed in any manner, or to any person except to meet the purpose for which it was delivered and (b) that any special features peculiar to this design will not be incorporated in other projects without the expressed written permission of ELCON PRODUCTS INTERNATIONAL CO.

| REVISIONS |     |             | DATE |
|-----------|-----|-------------|------|
| ECO       | REV | DESCRIPTION | DATE |
|           |     | SEE SHEET 1 |      |



SUGGESTED PANEL CUTOUT  
VIEWED FROM CONNECTOR MOUNTING SIDE



|   |              |
|---|--------------|
| ← MM<br>INCH  | OR MM [INCH] |
| THIRD ANGLE PROJECTION  |              |
| UNLESS OTHERWISE SPECIFIED DIMENSIONS ARE IN MILLIMETERS [INCH] |              |
| TOLERANCES  |              |
| ANGLES ± .5°  |              |
| DECIMALS  |              |
| .XX ± .25 [.010]  |              |
| .X ± .5 [.02]   |              |

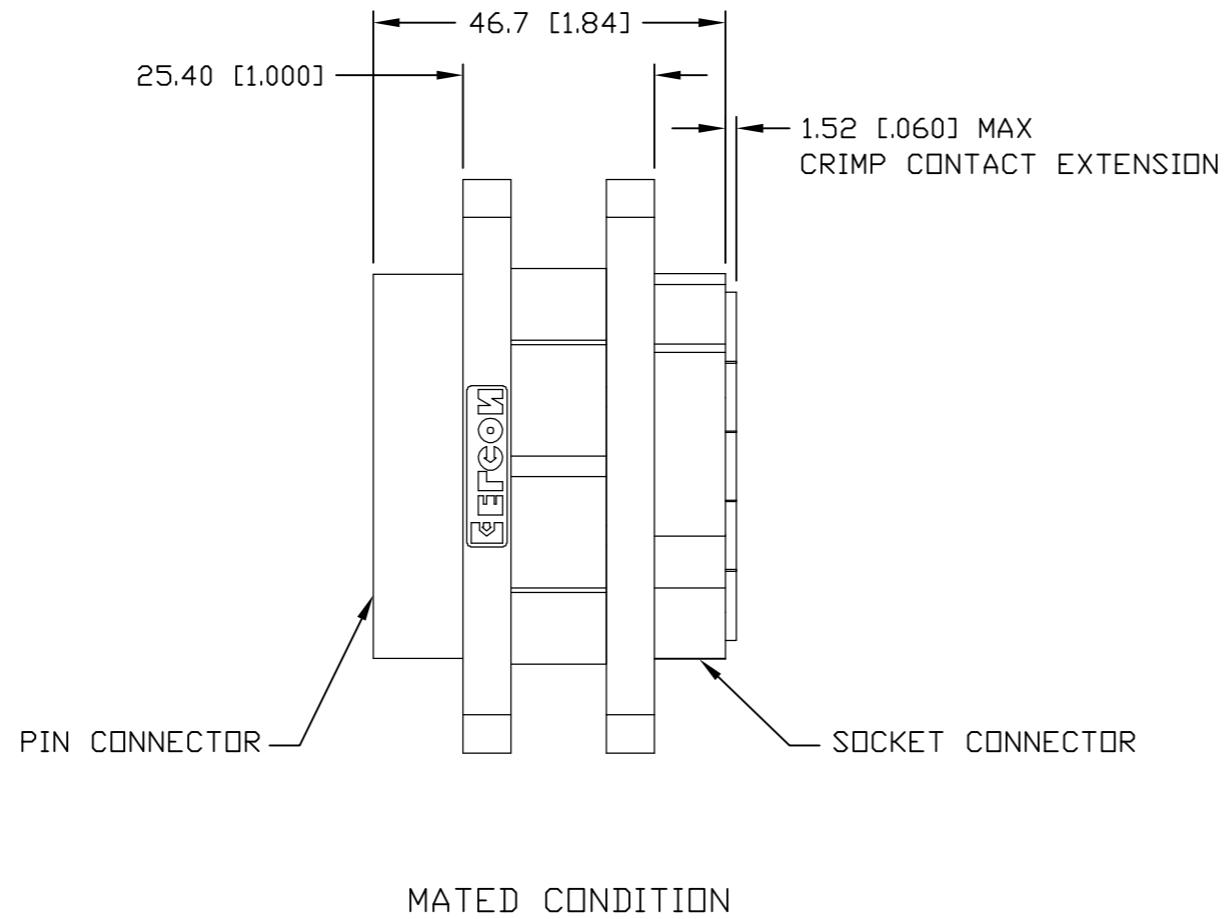
|                          |                 |
|--------------------------|-----------------|
| DRAWN<br>R.GRZYBOWSKI    | DATE<br>14MAR06 |
| CHECKED<br>S.FLICKINGER  | 14MAR06         |
| APPROVED                 |                 |
| APPROVED<br>S.FLICKINGER | 14MAR06         |
| DCA APPROVED             |                 |
| ACAD FILE NUMBER         |                 |

|  |            |  |  |
|--|------------|--|--|
|  |            | P.O. Box 1885<br>Fremont, California 94538<br>TEL (510) 490-4200 |  |
| TITLE  |            |  |  |
| SUBASSEMBLY SOCKET CONNECTOR<br>POWER CUSTOM DRAWER<br>P5S0 DRAWER |            |  |  |
| SIZE   | DWG NUMBER | REV.   |  |
| B  | 6651451    | A  |  |
| DWG SCALE 1=1  |            | SH 3 OF 4  |  |

N:\ARCHIVE\CUDS\DRAWERS\499114B2

This drawing involves proprietary design rights of ELCON PRODUCTS INT'L Co., and all design, manufacture, reproduction, use and sale rights regarding the same are expressly reserved. It is submitted for a specific purpose and the recipient by accepting this drawing, assumes custody and control and agrees to take reasonable precautions; (a) that this drawing will not be copied and reproduced, in whole or in part, or its contents revealed in any manner, or to any person except to meet the purpose for which it was delivered and (b) that any special features peculiar to this design will not be incorporated in other projects without the expressed written permission of ELCON PRODUCTS INTERNATIONAL CO.

| REVISIONS |     |             |
|-----------|-----|-------------|
| ECO       | REV | DESCRIPTION |
|           |     | SEE SHEET 1 |
|           |     | DATE        |



|  |                         |                              |  |   |
|--|-------------------------|------------------------------|--|---|
| ← MM<br>INCH<br><br>THIRD ANGLE PROJECTION<br>UNLESS OTHERWISE SPECIFIED DIMENSIONS ARE IN MILLIMETERS [INCH]<br>TOLERANCES<br>ANGLES ± .5°<br>DECIMALS<br>.XX ± .25 [.010]<br>.X ± .5 [.02] | DRAWN<br>R.GRZYBOWSKI   | DATE<br>14MAR06              | <br>PRODUCTS INTERNATIONAL COMPANY<br>P.O. Box 1885<br>Fremont, California 94538<br>TEL (510) 490-4200 |   |
|  | CHECKED<br>S.FLICKINGER | 14MAR06                      |  | TITLE<br>SUBASSEMBLY SOCKET CONNECTOR<br>POWER CUSTOM DRAWER<br>P5S0 DRAWER |
|  | APPROVED                | APPROVED<br>S.FLICKINGER     | 14MAR06  | SIZE<br>B   |
|  | DCA APPROVED            | ACAD FILE NUMBER<br>6651451A | DWG NUMBER<br>6651451  | REV.<br>A   |
|  |                         |                              | DWG SCALE 1=1 SH 4 OF 4  |   |