

4

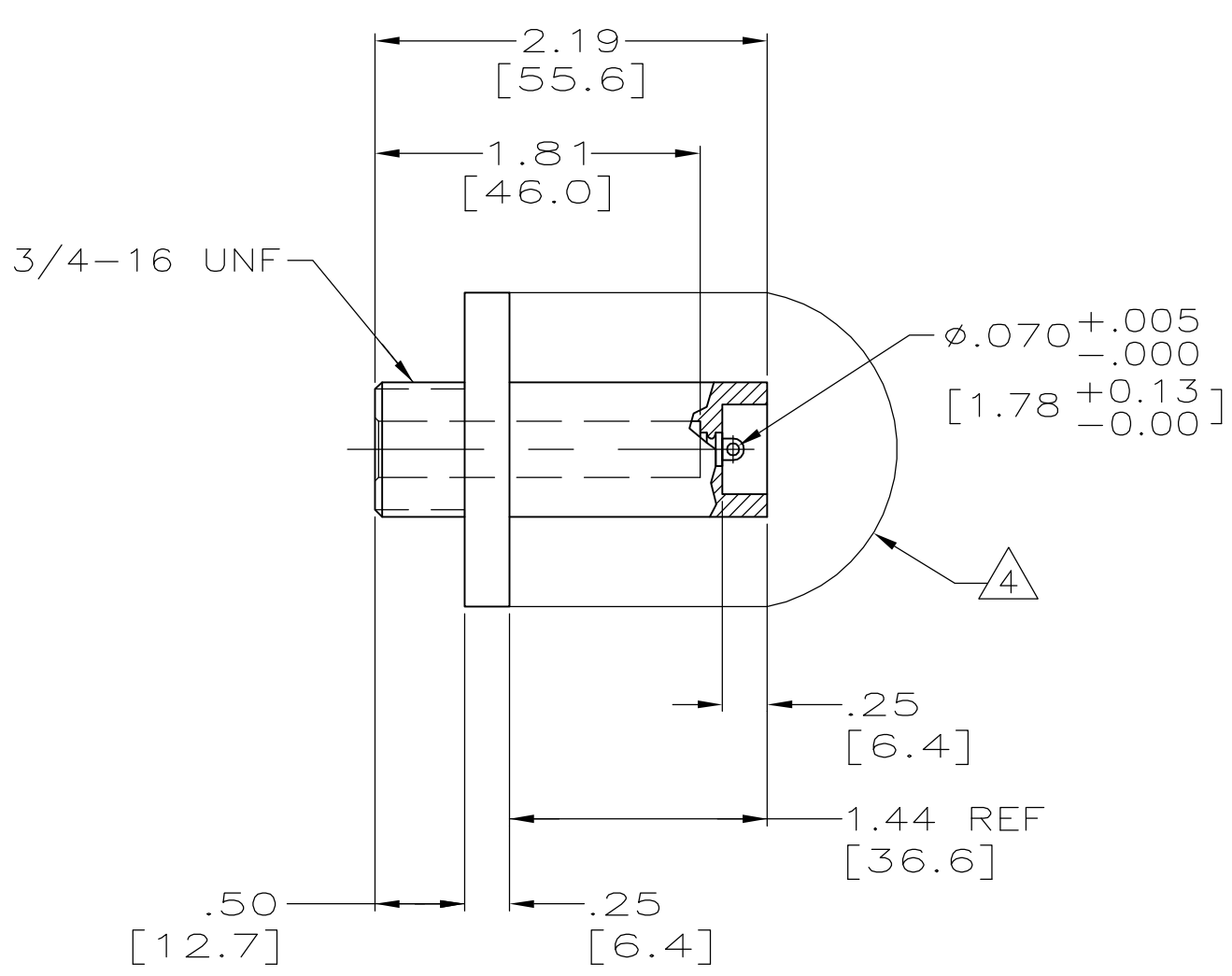
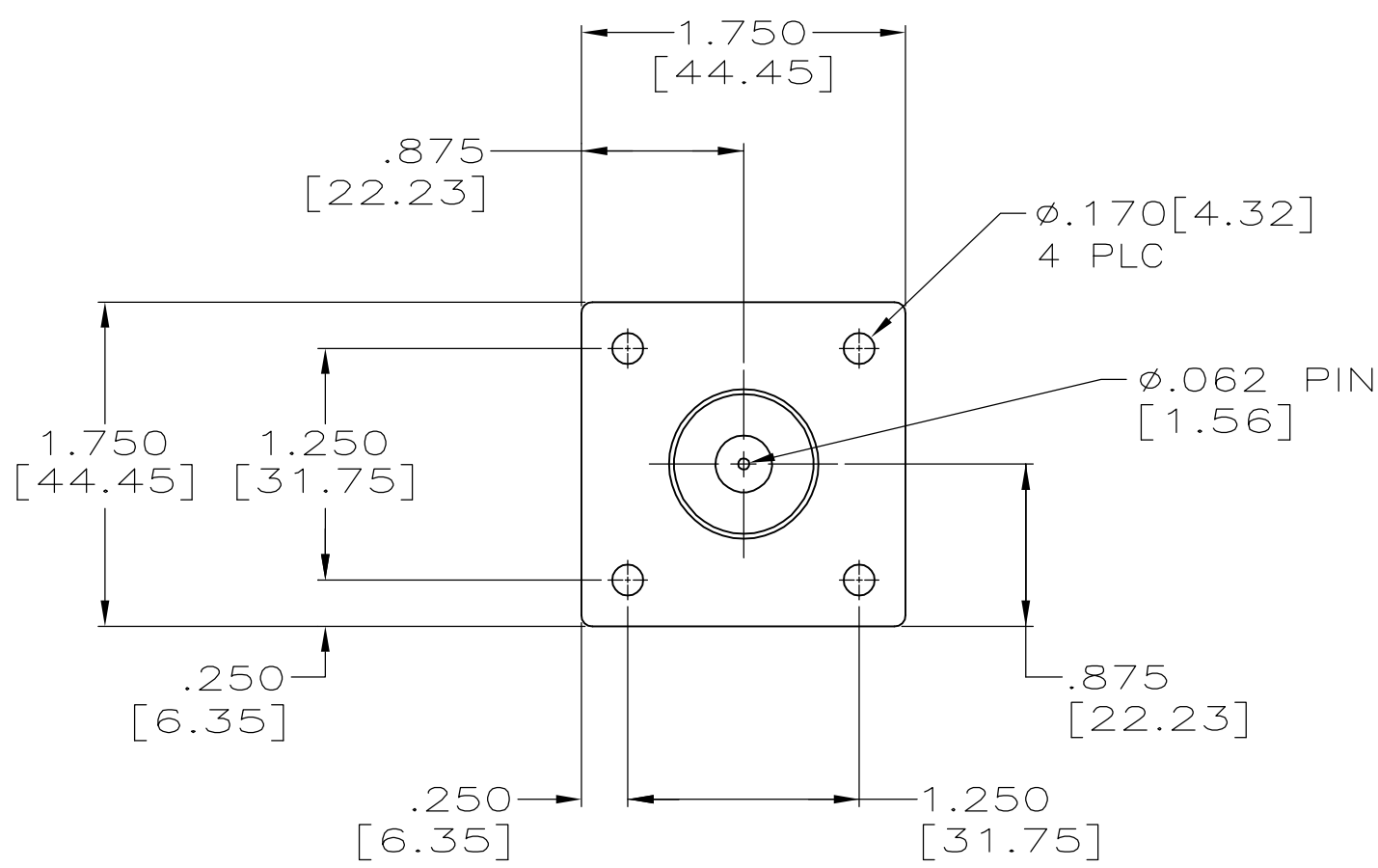
3

2

1

THIS DRAWING IS UNPUBLISHED. RELEASED FOR PUBLICATION - ,N/A .
© COPYRIGHT N/A BY TYCO ELECTRONICS CORPORATION. ALL RIGHTS RESERVED.

LOC	DIST	REVISIONS					
		P	LTR	DESCRIPTION	DATE	DWN	APVD
DF	SO		J	REV PER 0H14-0191-05	05-05	AA	DE



- ① PLATED 93/7 TIN-LEAD .0001[0.0025] MIN THK OR TIN PER ASTM-B-545 .0001[0.0025] MIN THK.
- ② GOLD PLATED .000030[0.00076] MIN THK PER ASTM-B-488, TYPE II.
- 3. RECEPTACLE TO MATE WITH AMP LGH-3 LEAD ASSEMBLY.
- ④ CUSTOMER TO PROTECT BACK END AGAINST ARC OVER & BREAKDOWN.
- ⑤ PLATED TIN PER ASTM-B-545, TYPE I OR II, .0001[0.0025] MIN THK.

	⑤	5-850911-1
OBSOLETE	②	850911-2
	①	850911-1
PIN PLATING		PART NUMBER

THIS DRAWING IS A CONTROLLED DOCUMENT.		DWN C.C.THOMAS 20-OCT-98	Tyco Electronics Corporation Harrisburg, Pa 17105-3608	
		CHK D. EABY 20-OCT-98		
		APVD D. EABY 20-OCT-98		
DIMENSIONS: INCHES 		TOLERANCES UNLESS OTHERWISE SPECIFIED: 0 PLC ± - 1 PLC ± - 2 PLC ± .02[0.5] 3 PLC ± .005[0.13] 4 PLC ± - ANGLES ± -	NAME BULKHEAD RECEPTACLE ASSEMBLY LGH-3	
MATERIAL MOLDED GLASS EPOXY COLOR: BLACK		FINISH -	PRODUCT SPEC - APPLICATION SPEC - WEIGHT -	SIZE A3 CAGE CODE 00779 DRAWING NO C-850911 RESTRICTED TO -
CUSTOMER DRAWING			SCALE 1:1	SHEET 1 OF 1 REV J