

TOSHIBA CMOS DIGITAL INTEGRATED CIRCUIT SILICON MONOLITHIC

TC74LVX4245FS**OCTAL DUAL SUPPLY BUS TRANSCEIVER**

The TC74LVX4245 is a dual supply, advanced high speed CMOS OCTAL BUS TRANSCEIVER fabricated with silicon gate CMOS technology.

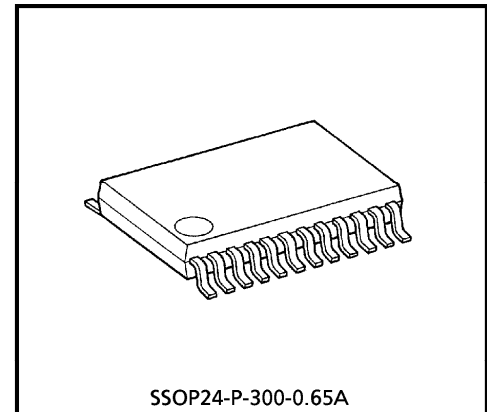
Designed for use as an interface between a 5V bus and a 3.3V bus in mixed 5V/3.3V supply systems' it achieves high speed operation while maintaining the CMOS low power dissipation.

It is intended for 2 way asynchronous communication between data busses. The direction of data transmission is determined by the level of the DIR input.

The enable input (\overline{OE}) can be used to disable the device so that the busses are effectively isolated.

The A-port interfaces with the 5V bus, the B-port with the 3.3V bus.

All inputs are equipped with protection circuits against static discharge or transient excess voltage.



Weight : 0.14g (Typ.)

FEATURES

- Bidirectional interface between 5V and 3V buses
- High speed : $t_{pd} = 6.0\text{ns}$ (Typ.)
($V_{CCA} = 5.0\text{V} / V_{CCB} = 3.3\text{V}$)
- Low power dissipation : $I_{CC} = 8\mu\text{A}$ (Max.) ($T_a = 25^\circ\text{C}$)
- Symmetrical output impedance : $I_{OUTA} = \pm 24\text{mA}$ (Min.)
 $I_{OUTB} = \pm 12\text{mA}$ (Min.)
($V_{CCA} = 4.5\text{V} / V_{CCB} = 3.0\text{V}$)
- Low noise : $V_{OLP} = 1.5\text{V}$ (Max.)
- Available in SSOP package

APPLICATION NOTES

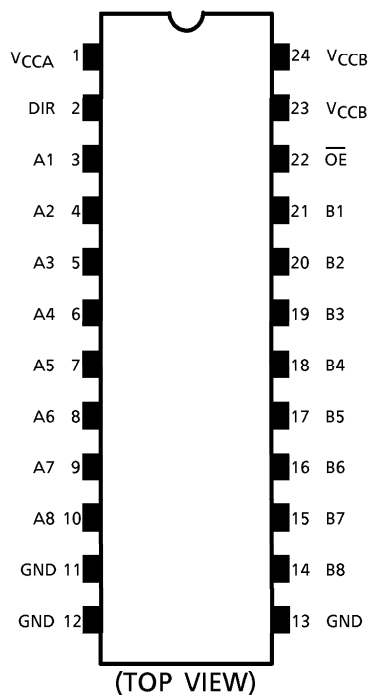
Do not apply a signal to any bus terminal when it is in the output mode. Damage may result.

All floating (high impedance) bus terminals must have their input levels fixed by means of pull up or pull down resistors.

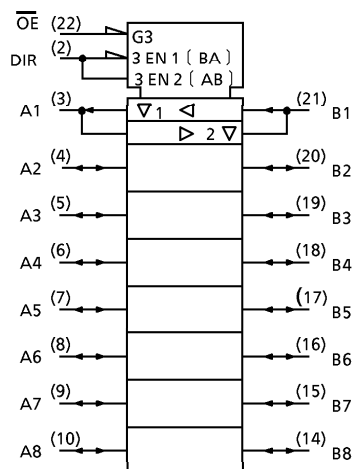
961001EBA2

- TOSHIBA is continually working to improve the quality and the reliability of its products. Nevertheless, semiconductor devices in general can malfunction or fail due to their inherent electrical sensitivity and vulnerability to physical stress. It is the responsibility of the buyer, when utilizing TOSHIBA products, to observe standards of safety, and to avoid situations in which a malfunction or failure of a TOSHIBA product could cause loss of human life, bodily injury or damage to property. In developing your designs, please ensure that TOSHIBA products are used within specified operating ranges as set forth in the most recent products specifications. Also, please keep in mind the precautions and conditions set forth in the TOSHIBA Semiconductor Reliability Handbook.

PIN ASSIGNMENT



IEC LOGIC SYMBOL



TRUTH TABLE

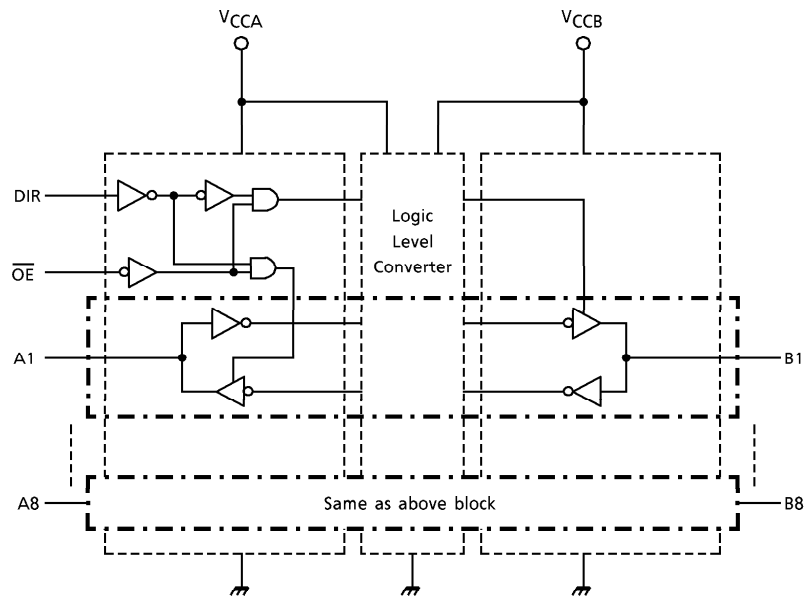
INPUTS		OUTPUTS	FUNCTION	
\overline{G}	DIR		A-BUS	B-BUS
L	L	A = B	OUTPUT	INPUT
L	H	B = A	INPUT	OUTPUT
H	X	Z	High Impedance	

X : Don't Care
 Z : High Impedance

961001EBA2'

- The products described in this document are subject to foreign exchange and foreign trade control laws.
- The information contained herein is presented only as a guide for the applications of our products. No responsibility is assumed by TOSHIBA CORPORATION for any infringements of intellectual property or other rights of the third parties which may result from its use. No license is granted by implication or otherwise under any intellectual property or other rights of TOSHIBA CORPORATION or others.
- The information contained herein is subject to change without notice.

BLOCK DIAGRAM



MAXIMUM RATINGS

PARAMETER	SYMBOL	RATING	UNIT
Supply Voltage Range*	V_{CCA}	-0.5~7.0	V
	V_{CCB}	-0.5~ V_{CCA}	
DC Input Voltage (\overline{OE}, DIR)	V_{IN}	-0.5~ $V_{CCA} + 0.5$	V
DC Bus I/O Voltage	$V_{I/OA}$	-0.5~ $V_{CCA} + 0.5$	V
	$V_{I/OB}$	-0.5~ $V_{CCB} + 0.5$	
Input Diode Current	I_{IK}	-20	mA
Output Diode Current	I_{OK}	± 50	mA
DC Output Current	I_{OUTA}	± 50	mA
	I_{OUTB}	± 50	
DC V_{CC} / Ground Current	I_{CCA}	± 200	mA
	I_{CCB}	± 100	
Power Dissipation	P_D	180	mW
Storage Temperature	T_{stg}	-65~150	$^{\circ}C$

* : $V_{CCA} > V_{CCB}$, Don't use under the condition that V_{CCB} is 0V.

RECOMMENDED OPERATING CONDITIONS

PARAMETER	SYMBOL	RATING	UNIT
Supply Voltage	V_{CCA}	4.5~5.5	V
	V_{CCB}	2.7~3.6	
Input Voltage (\overline{OE} ,DIR)	V_{IN}	0~ V_{CCA}	V
Bus I/O Voltage	$V_{I/OA}$	0~ V_{CCA}	V
	$V_{I/OB}$	0~ V_{CCB}	
Operating Temperature	T_{opr}	-40~85	°C
Input Rise And Fall Time	dt/dv	0~8 ($V_{CCA} = 4.5\sim 5.5V$)	ns/V
		0~8 ($V_{CCB} = 2.7\sim 3.6V$)	

ELECTRICAL CHARACTERISTICS

DC characteristics (V_{CCA}) $V_{CCB} = 2.7 \sim 3.6V$

PARAMETER		SYM-BOL	TEST CONDITION		V_{CCA} (V)	Ta = 25°C			Ta = -40~85°C		UNIT
						MIN.	TYP.	MAX.	MIN.	MAX.	
Input Voltage	"H" Level	V_{IHA}	DIR, \bar{G} , An		4.5 ~ 5.5	2.0	—	—	2.0	—	V
	"L" Level	V_{ILA}	DIR, \bar{G} , An		4.5 ~ 5.5	—	—	0.8	—	0.8	
Output Voltage	"H" Level	V_{OHA}	$V_{INA} = V_{IHA}$ or V_{ILA} $V_{INB} = V_{IHB}$ or V_{ILB}	$I_{OH} = -100\mu A$	4.5	4.4	4.5	—	4.4	—	V
				$I_{OH} = -24mA$	4.5	3.86	—	—	3.76	—	
	"L" Level	V_{OLA}	$V_{INA} = V_{IHA}$ or V_{ILA} $V_{INB} = V_{IHB}$ or V_{ILB}	$I_{OL} = 100\mu A$	4.5	—	0.0	0.1	—	0.1	
				$I_{OL} = 24mA$	4.5	—	—	0.36	—	0.44	
3-State Output Off-State Current		I_{OZA}	$V_{INA} = V_{IHA}$ or V_{ILA} $V_{INB} = V_{IHB}$ or V_{ILB} $V_{I/OA} = V_{CCA}$ or GND		5.5	—	—	± 0.5	—	± 5.0	μA
Input Leakage Current		I_{INA}	$V_{IN} (DIR, \bar{G}) = V_{CCA}$ or GND		5.5	—	—	± 0.1	—	± 1.0	μA
Quiescent Supply Current		I_{CCA}	$V_{INA} = V_{CCA}$ or GND $V_{INB} = V_{CCB}$ or GND		5.5	—	—	8.0	—	80.0	μA
		I_{CCTA}	PER INPUT : $V_{INA} = 3.4V$ OTHER INPUT : V_{CCA} or GND		5.5	—	—	2.3	—	2.5	mA

DC characteristics (V_{CCB}) $V_{CCA} = 4.5 \sim 5.5V$

PARAMETER		SYM-BOL	TEST CONDITION	V_{CCB} (V)	Ta = 25°C			Ta = -40~85°C		UNIT	
					MIN.	TYP.	MAX.	MIN.	MAX.		
Input Voltage	"H" Level	V_{IHB}	Bn	2.7	2.0	—	—	2.0	—	V	
				3.6	2.2	—	—	2.2	—		
	"L" Level	V_{ILB}	Bn	2.7	—	—	0.8	—	0.8		
				3.6	—	—	0.8	—	0.8		
Output Voltage	"H" Level	V_{OHB}	$V_{INA} = V_{IHA}$ or V_{ILA}	$I_{OH} = -100\mu A$	3.0	2.9	3.0	—	2.9	—	V
				$I_{OH} = -8mA$	2.7	2.26	—	—	2.20	—	
				$I_{OH} = -12mA$	3.0	2.48	—	—	2.40	—	
	"L" Level	V_{OLB}	$V_{INA} = V_{IHA}$ or V_{ILA}	$I_{OL} = 100\mu A$	3.0	—	0.0	0.1	—	0.1	
				$I_{OL} = 8mA$	2.7	—	—	0.31	—	0.40	
				$I_{OL} = 12mA$	3.0	—	—	0.31	—	0.40	
3-State Output Off-State Current		I_{OZB}	$V_{INA} = V_{IHA}$ or V_{ILA} $V_{I/OB} = V_{CCB}$ or GND	3.6	—	—	± 0.5	—	± 5.0	μA	
Quiescent Supply Current		I_{CCB}	$V_{INA} = V_{CCA}$ or GND $V_{INB} = V_{CCB}$ or GND	3.6	—	—	5.0	—	50.0	μA	
		I_{CCTB}	PER INPUT : $V_{INB} = 3.0V$ OTHER INPUT : V_{CCB} or GND	3.6	—	—	0.35	—	0.50	mA	

AC characteristics (Input $t_r = t_f = 3\text{ns}$, $C_L = 50\text{pF}$, $R_L = 500\Omega$, $V_{CCA} = 5.0 \pm 0.5\text{V}$)

PARAMETER	SYMBOL	TEST CONDITION	Ta = 25°C			Ta = -40~85°C		UNIT	
			V _{CCB} (V)	MIN.	TYP.	MAX.	MIN.		MAX.
Propagation Delay Time (An⇒Bn)	t _{pLH}	Input : An Output : Bn (DIR = "H")	2.7	—	7.1	9.5	1.0	10.5	ns
	t _{pHL}		3.3 ± 0.3	—	6.5	8.6	1.0	9.5	
3-State Output Enable Time (\bar{G} ⇒Bn)	t _{pZL}		2.7	—	9.5	12.5	1.0	13.8	ns
	t _{pZH}		3.3 ± 0.3	—	8.6	11.4	1.0	12.5	
3-State Output Disable Time (\bar{G} ⇒Bn)	t _{pLZ}		2.7	—	5.3	9.1	1.0	10.0	ns
	t _{pHZ}		3.3 ± 0.3	—	5.3	9.1	1.0	10.0	
Propagation Delay Time (Bn⇒An)	t _{pLH}	Input : Bn Output : An (DIR = "L")	2.7	—	7.0	9.5	1.0	10.5	ns
	t _{pHL}		3.3 ± 0.3	—	6.4	8.6	1.0	9.5	
3-State Output Enable Time (\bar{G} ⇒An)	t _{pZL}		2.7	—	8.5	11.6	1.0	12.7	ns
	t _{pZH}		3.3 ± 0.3	—	7.7	10.5	1.0	11.5	
3-State Output Disable Time (\bar{G} ⇒An)	t _{pLZ}		2.7	—	5.1	6.8	1.0	7.5	ns
	t _{pHZ}		3.3 ± 0.3	—	5.1	6.8	1.0	7.5	
Output To Output Skew	t _{osLH}	(Note 1)	2.7	—	—	1.5	—	1.5	ns
	t _{osHL}		3.3 ± 0.3	—	—	1.5	—	1.5	
Input Capacitance	C _{INA}	DIR, \bar{G}	3.3 ± 0.3	—	5	10	—	10	pF
Bus Input Capacitance	C _{I/O}	An, Bn	3.3 ± 0.3	—	13	—	—	—	pF
Power Dissipation Capacitance (Note 2)	C _{pDA}	A⇒B (DIR = "H")	3.3 ± 0.3	—	17	—	—	—	pF
		B⇒A (DIR = "L")	3.3 ± 0.3	—	25	—	—	—	
	C _{pDB}	A⇒B (DIR = "H")	3.3 ± 0.3	—	4	—	—	—	
		B⇒A (DIR = "L")	3.3 ± 0.3	—	4	—	—	—	

(Note 1) Parameter guaranteed by design.

$$(t_{osLH} = |t_{pLHm} - t_{pLHn}|, t_{osHL} = |t_{pHLm} - t_{pHLn}|)$$

(Note 2) C_{pD} is defined as the value of the internal equivalent capacitance which is calculated from the operating current consumption without load.

Average operating current can be obtained by the equation :

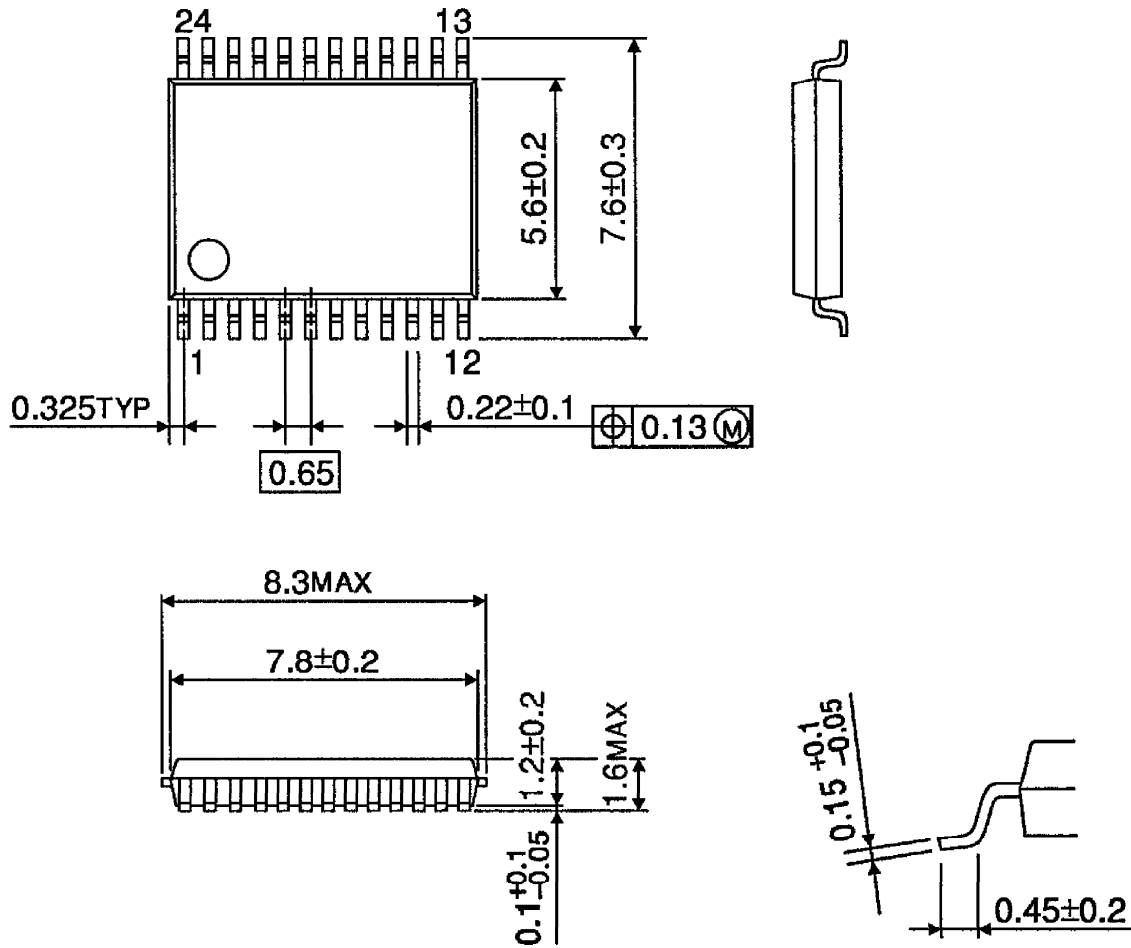
$$I_{CC}(\text{opr.}) = C_{pD} \cdot V_{CC} \cdot f_{IN} + I_{CC}/8 \text{ (per bit)}$$

Noise characteristics (Ta = 25°C, Input $t_r = t_f = 3\text{ns}$, $C_L = 50\text{pF}$, $R_L = 500\Omega$)

PARAMETER	SYMBOL	TEST CONDITION	VCC (V)		TYP.	LIMIT	UNIT
			VCCA (V)	VCCB (V)			
Quiet Output Maximum Dynamic VOL (A)	VOLPA	Input : Bn Output : An (DIR = "L")	5.0	3.3	1.0	1.5	V
Quiet Output Minimum Dynamic VOL (A)	VOLVA		5.0	3.3	-0.6	-1.2	V
Quiet Output Maximum Dynamic VOL (B)	VOLPB	Input : An Output : Bn (DIR = "H")	5.0	3.3	0.8	1.2	V
Quiet Output Minimum Dynamic VOL (B)	VOLVB		5.0	3.3	-0.5	-0.8	V
Minimum High Level Dynamic Input Voltage	VIHDA	Input : An	5.0	3.3	—	2.0	V
Maximum Low Level Dynamic Input Voltage	VILDA	Input : An	5.0	3.3	—	0.8	V
Minimum High Level Dynamic Input Voltage	VIHDB	Input : Bn	5.0	3.3	—	2.0	V
Maximum Low Level Dynamic Input Voltage	VILDB	Input : Bn	5.0	3.3	—	0.8	V

OUTLINE DRAWING
SSOP24-P-300-0.65A

Unit : mm



Weight : 0.14g (Typ.)