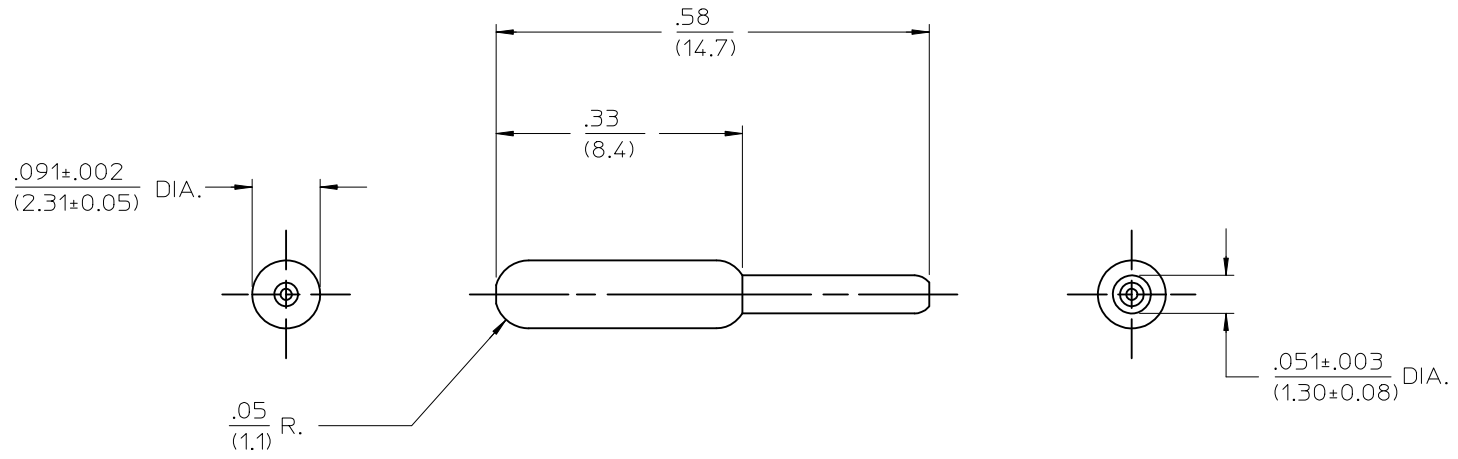


10 9 8 7 6 5 4 3 2 1



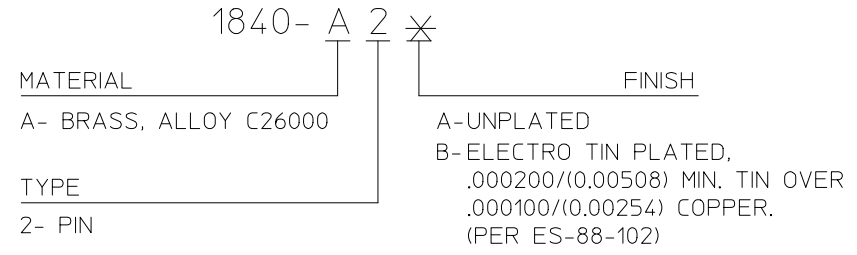
REDWIRE DRAIN HOLE EC NO: UCP2004-2212 DRW:RHOLTS 2004/06/17 CHKD:FSMITH APPR:FSMITH 2011/09/14	QUALITY SYMBOLS	GENERAL TOLERANCES (UNLESS SPECIFIED)		DIMENSION STYLE IN/MM		SCALE 6:1	DESIGN UNITS INCH	THIRD ANGLE PROJECTION	
	▽=0	mm	INCH	DRAWN BY GWC	DATE 1992/01/03	TITLE TERMINAL, PIN & SOCKET P.C. TAIL, FOR .093 SERIES HEADERS			
	▽=0	4 PLACES ± ---	± ---	CHECKED BY RW	DATE 1992/01/03				
	▽=0	3 PLACES ± 0.25	± 0.10	APPROVED BY FSMITH	DATE 2011/09/14	MOLEX INCORPORATED DOCUMENT NO. SD-1840-*		SHEET NO. 1 OF 2	
	2 PLACES ± 0.36	± ---	MATERIAL NO.		SEE CHART		DRAFT WHERE APPLICABLE MUST REMAIN WITHIN DIMENSIONS		

9 8 7 6 5 4 3 2 1

PART NO.	ENG. NO.	MATERIAL	TYPE	FINISH
16-06-0052	1840-A2A	A	2	A
16-06-0002	1840-A2B	A	2	B

- NOTES:
1. MATERIAL: SEE LEGEND
 2. FINISH: SEE LEGEND
 3. PRODUCT SPECIFICATION: N/A
 4. PACKAGING SPECIFICATION: N/A
 5. THESE TERMINALS ARE USED FOR BOTH THE 1840 AND 3099 ASSEMBLIES.

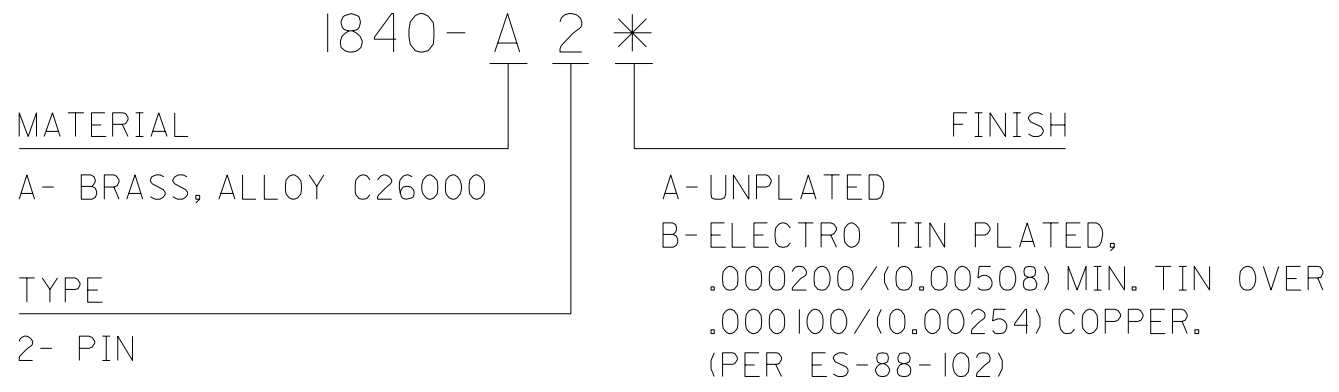
LEGEND



SEE SHEET ONE EC NO: UCP2004-2212 DRW:RHOLTS 2004/06/17 CHKD:FSMITH APPR:FSMITH 2011/09/14	QUALITY SYMBOLS	GENERAL TOLERANCES (UNLESS SPECIFIED)		DIMENSION STYLE IN/MM		SCALE 1:1	DESIGN UNITS INCH	THIRD ANGLE PROJECTION		
	$\nabla=0$	mm	INCH	DRAWN BY GWC	DATE 1992/01/03	TITLE TERMINAL, PIN & SOCKET P.C. TAIL, FOR .093 SERIES HEADERS				
	$\nabla=0$	4 PLACES ± ---	± ---	CHECKED BY RW	DATE 1992/01/03					
	$\nabla=0$	3 PLACES ± ---	± .010	APPROVED BY FSMITH		DATE 2011/09/14	molex MOLEX INCORPORATED		DOCUMENT NO. SD-1840-*	
$\nabla=0$	2 PLACES ± 0.25	± .014	MATERIAL NO. SEE CHART		SHEET NO. 2 OF 2		THIS DRAWING CONTAINS INFORMATION THAT IS PROPRIETARY TO MOLEX INCORPORATED AND SHOULD NOT BE USED WITHOUT WRITTEN PERMISSION			
	1 PLACE ± 0.36	± ---	DRAFT WHERE APPLICABLE MUST REMAIN WITHIN DIMENSIONS							
	ANGULAR ± 1/2°									

PART NO.	ENG. NO.	MATERIAL	TYPE	FINISH
16-06-0052	1840-A2A	A	2	A
16-06-0002	1840-A2B	A	2	B

LEGEND



- NOTES:
- I. THESE TERMINALS ARE USED FOR BOTH THE 1840 AND 3099 ASSEMBLIES.
 2. A DRAIN HOLE, OVAL IN APPEARANCE, OPPOSITE THE SEAM SIDE, IS ALLOWED.

				DIMENSIONS SHOWN (METRIC) INCH		▽ = 0	▼ = 0	REVISE ONLY ON CAD SYSTEM	
				UNLESS OTHERWISE SPECIFIED TOLERANCES: ANGULAR ± 1/2°		TITLE TERMINAL, PIN P.C. TAIL, FOR .093 SERIES HEADERS			
				INCH METRIC		molex MOLEX INCORPORATED SHEET NO. DATE LISLE,ILL. 60532 U.S.A. 2 12/16/91			
				DRAFT WHERE APPLICABLE MUST REMAIN WITHIN DIMENSIONS		PART NO. SEE CHART		DRWG. NO. SD-1840-*	
				DRWG. BY <i>CWC</i> CHK'D. BY RW		THIS DRAWING CONTAINS INFORMATION THAT IS PROPRIETARY TO MOLEX INC. AND SHOULD NOT BE USED WITHOUT WRITTEN PERMISSION.			
				APP'D. BY RS SCALE N: A		FILE NAME SD1840X2 DGN		DIV. CP SIZE B	
LTR.		REVISIONS		LTR.		REVISIONS			