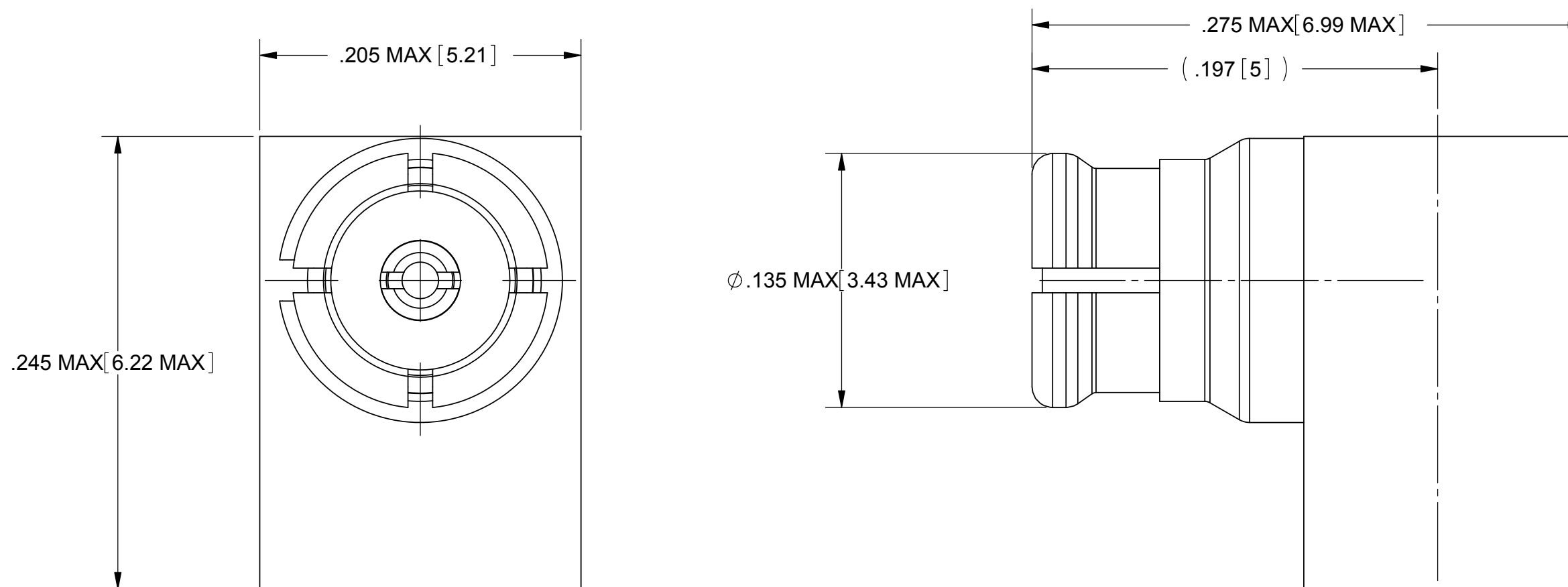


PRODUCT DATA DRAWING

REVISION HISTORY			
REV	DESCRIPTION	DATE	APPROVED
-	DCN 39029	04/12	STW
A	DCN 40492	04/14	STW



MATERIAL:

BODY, PRESS CAP
CONTACT &
EMI/ANTI-ROCK RING: BERYLLIUM COPPER PER ASTM B196,
ALLOY No. UNS C17300, TD04

INSULATOR: PTFE PER ASTM D1710, TYPE I, GRADE 1, CLASS B

CABLE INSULATOR: TORLON

FINISH:

BODY, PRESS CAP,
CONTACT &
EMI/ANTI-ROCK RING: GOLD PER MIL-DTL-45204, TYPE II
GRADE C, CLASS 1 OVER NICKEL
PER MIL-DTL-38999, CLASS 1

PERFORMANCE:

IMPEDANCE: 50 OHMS
FREQ. RANGE: DC TO 26.5 GHz
VSWR: 1.35:1 DC TO 26.5 GHz
INSERTION LOSS: .12 X SQRT(F(F IN GHz))
DWV: 325 VRMS

NOTES:
1. PER DSCC 94008ZCG-4.

MATERIAL: SEE NOTES	DIMENSIONS ARE IN INCHES TOLERANCES: FRACTIONAL: ±1/64 ANGULAR: X° ±1'0" X'X' ±15'	UNLESS OTHERWISE SPECIFIED 1) ALL DIMENSIONS ARE IN INCHES (MILLIMETERS) 2) ALL DIMENSIONS ARE AFTER PLATING. 3) BREAK CORNERS & EDGES .005 R. MAX. 4) CHAM. 1ST & LAST THREADS. 5) SURFACE ROUGHNESS 63-MIL-STD-10. 6) DIA.'S ON COMMON CENTERS TO BE CONCENTRIC WITHIN .005 T.I.R. 7) REMOVE ALL BURRS	SV Microwave, Inc. 2400 Centrepark West Drive, Suite 100 West Palm Beach, FL 33409
FINISH: SEE NOTES	DECIMAL: X ±.030 .XX ±.010 .XXX ±.005	INTERPRET DIMENSIONS AND TOLERANCES PER ASME Y14.5M - 1994	TITLE: SMP FEMALE R/A .047 CABLE
SURFACE AREA: N/A	THIRD ANGLE PROJECTION	DRAWN: DAL 03/25/10	SIZE B CAGE CODE 95077 DWG. NO. 1213-4007
PROPRIETARY THE INFORMATION CONTAINED IN THIS DRAWING IS THE SOLE PROPERTY OF SV MICROWAVE, INC. ANY REPRODUCTION IN PART OR AS A WHOLE WITHOUT THE WRITTEN PERMISSION OF SV MICROWAVE, INC IS PROHIBITED.		CHECKED: APPROVED:	SCALE: 16:1 SHEET 1 OF 1