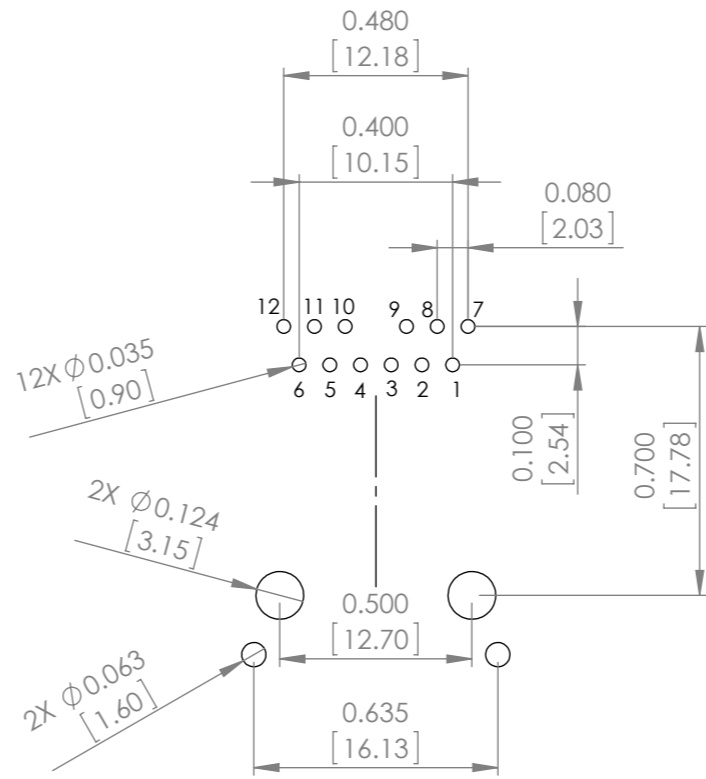
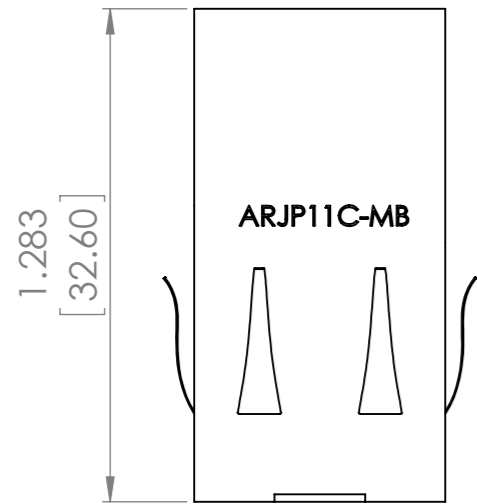
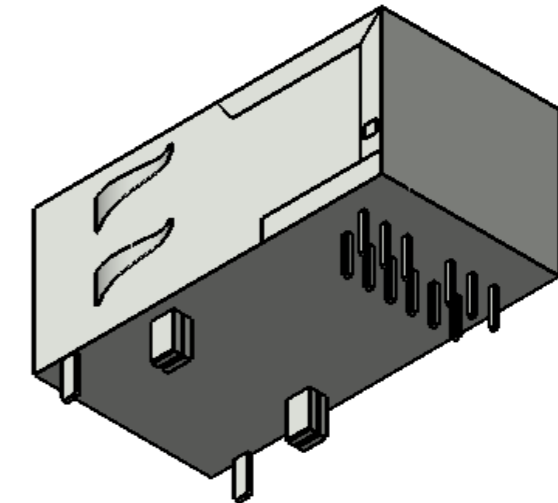
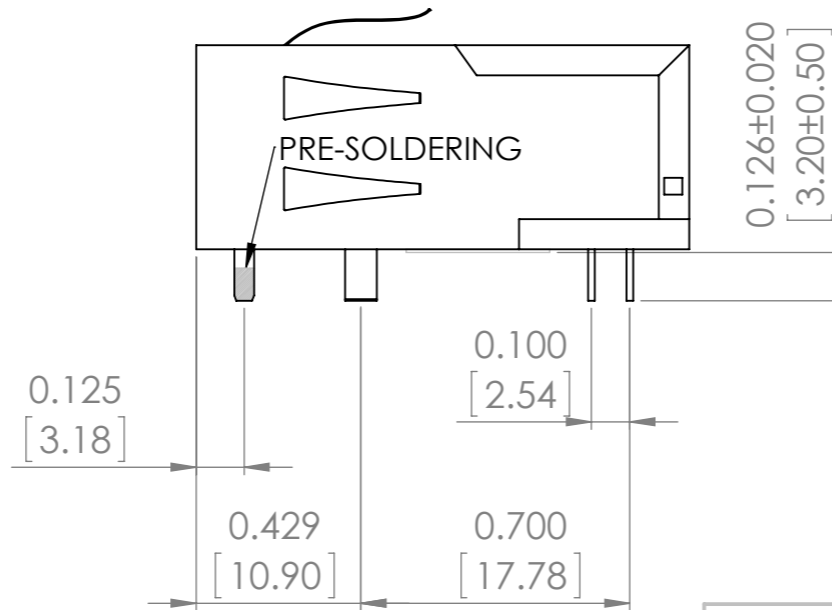
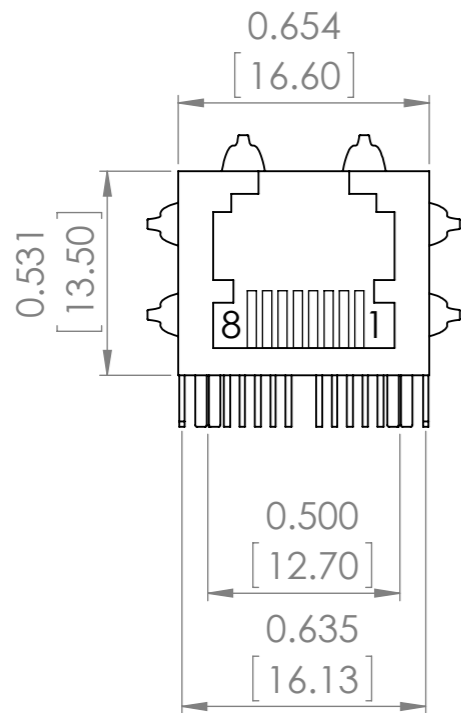
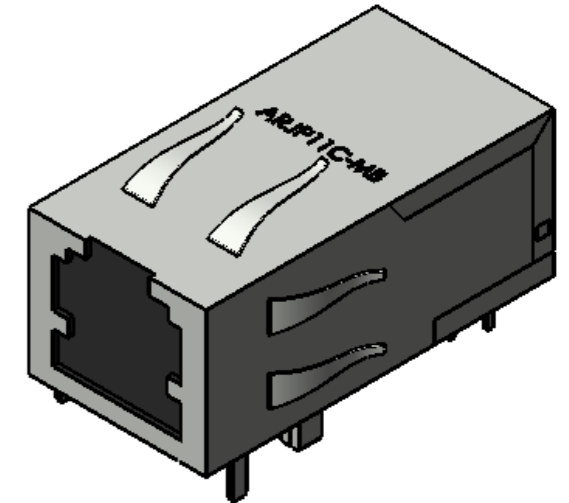



**MB**



**PC BOARD LAYOUT  
COMPONENT SIDE SHOWN**



UNLESS OTHERWISE SPECIFIED: DIMENSIONS ARE IN MM SURFACE FINISH: TOLERANCES: LINEAR: ANGULAR:				FINISH:		DEBUR AND BREAK SHARP EDGES		DO NOT SCALE DRAWING		REVISION -	
DRAWN SAAZVAT				SIGNATURE		DATE		 <p>30332 Esperanza, Rancho Santa margarita, California 92688</p> <p>TITLE: <b>Magnetics</b></p> <p>DWG NO. <b>ARJP11C-MB</b></p> <p>SCALE: 2:1</p> <p>SHEET 1 OF 1</p>			
CHK'D XXXXXX											
APPV'D											
MFG											
Q.A											
				MATERIAL:				A3			
				WEIGHT:							