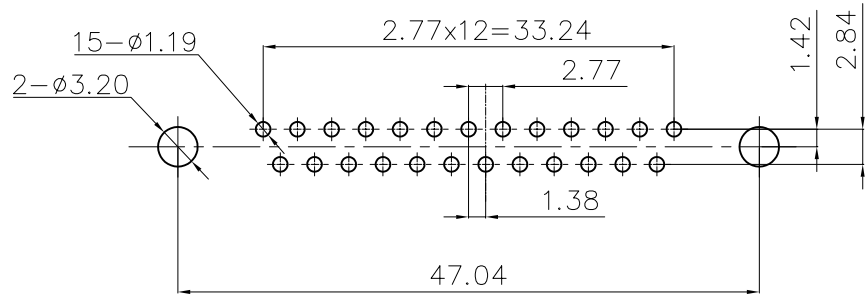
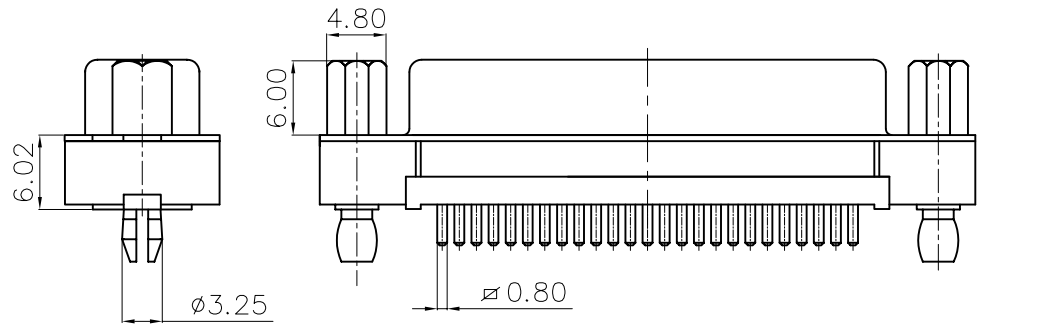
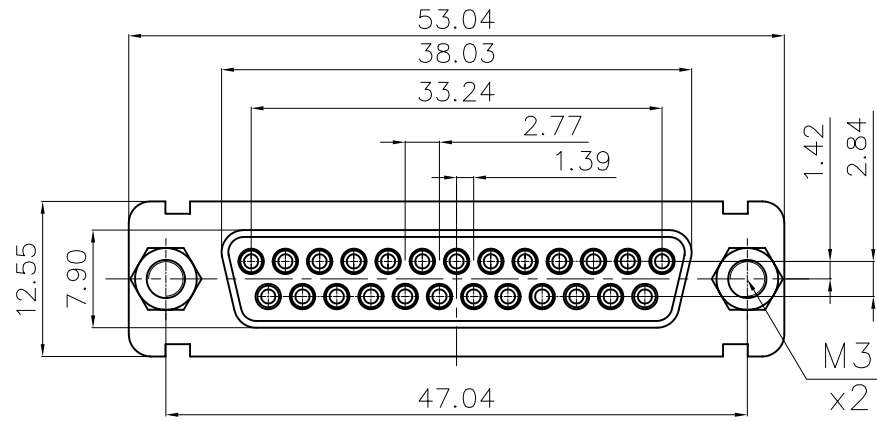


This document is the property of Amphenol Corporation and is delivered on the express condition that it is not to be disclosed, reproduced or used, in whole or in part, for manufacture or sale by anyone other than Amphenol Corporation without its prior consent, & that no right is granted to disclose or to use any information in this document.



RECOMMENDED P.C.B LAYOUT  
(Tolerance +/- 0.03)



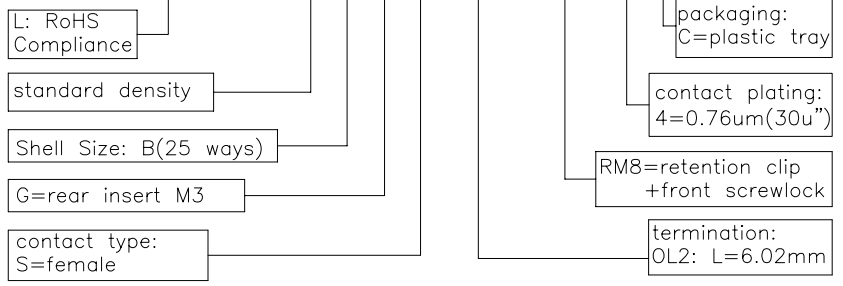
REVISIONS				
SYM	ECN	DESCRIPTION	DATE	APPROVED
A			06/29/07	

D-SUB TECHNICAL DATA

SHELL : Steel 2.5um(100u") min tin over 1.25um(50u") min nickel  
 BODY : Glass filled thermoplastic.  
 Flame retardant to UL94 V-0 Color Black  
 CONTACTS : brass  
 0.76um(30u") min gold over 1.25um(50u") min nickel  
 BOARDLOCK: Phosphor copper, 100u" min sn over 50u" min nickel  
 FRONT SCREWLOCK: Brass, 100u" min sn over 50u" min nickel  
 ELECTRICAL : Voltage rating : 600 V RMS at 50 Hz  
 Current rating 5A.  
 Insulation resistance >5000 M Ohms  
 Contact resistance 20mOhms max.  
 CLIMATIC : Temperature range -55 °C up to 125°C  
 MARKING : Amphenol...(Series No.)  
 Commercial reference  
 Manufacturing date

PRODUCT CODE

L 17HT N B G S OL2 RM8 4 C



UNLESS OTHERWISE SPECIFIED TOLERANCES		APPROVAL		DATE
	U.S.	METRIC	DRAWN	Liisa.pong
.X	+/-	0.50	CHECKED	lik.wang
.XX	+/-	0.30	CHECKED	
.XXX	+/-	0.20		
FRACTIONS	+/-			
ANGLES	+/-	2°		
FOR MATERIALS AND FINISHES SEE NOTES		DRAWING FILE :		
REMOVE SHARP EDGES		ANGLE OF PROJECTION		
DIMENSIONS				
U.S.	INCHES			
METRIC	MM			

Amphenol		TITLE	
		D-SUB connectors, HT series	
SIZE	DRAWING NO.	REV.	
A4	C L17HTNBGSOL2RM84C	A	
SCALE	NONE	SHEET 1 OF 1	