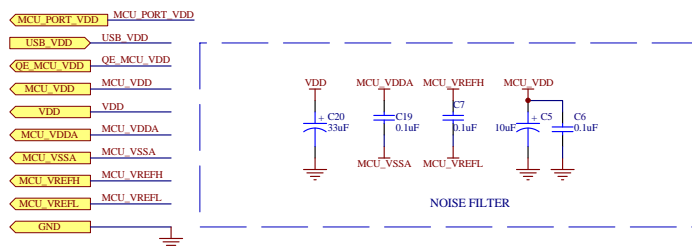
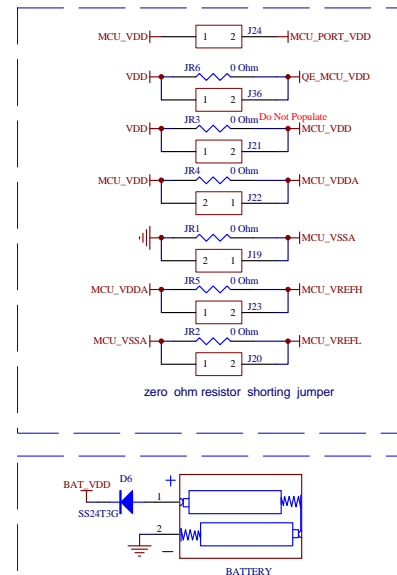
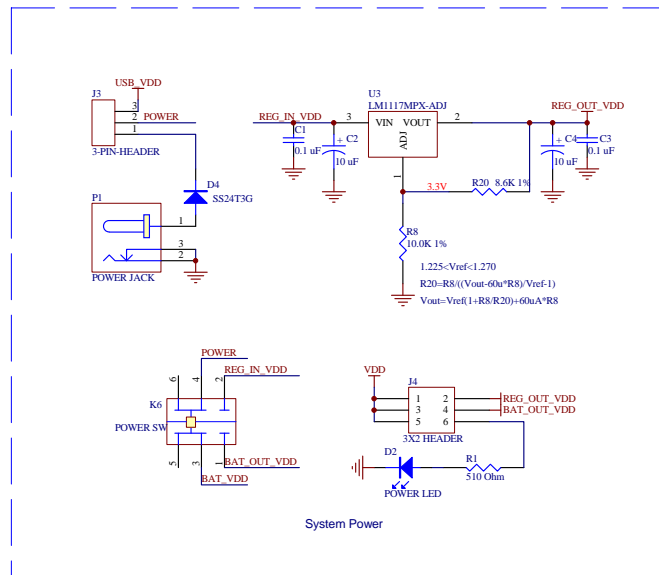


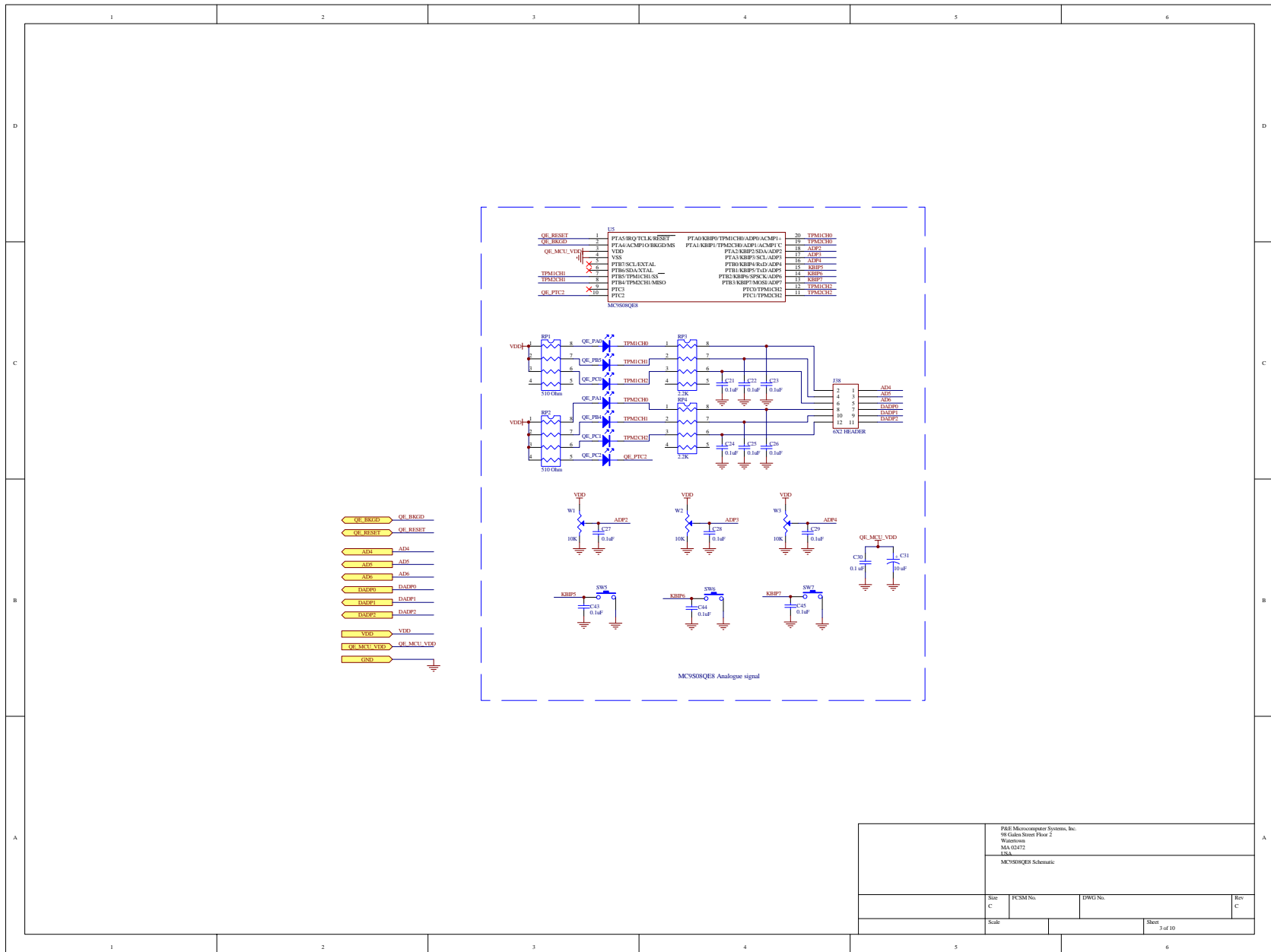
P&E Microcomputer Systems, Inc.
 99 Gates Street Floor 2
 Waltham, MA 02472
 USA

MEMORANDUM

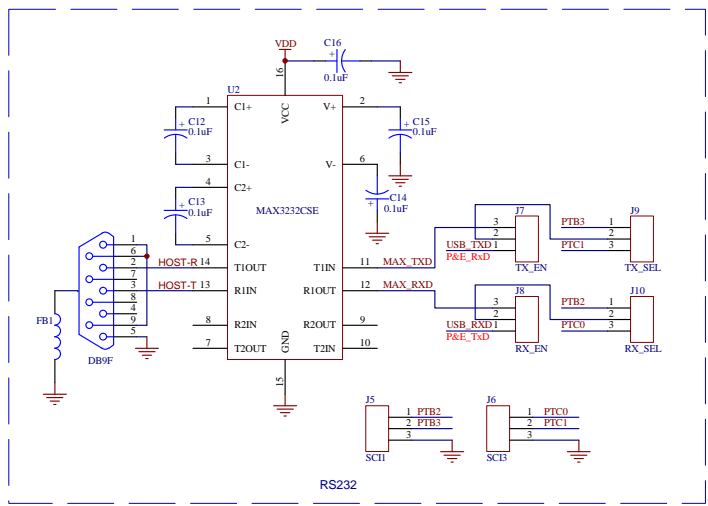
Size	PCSM No.	DWG No.	Rev
C			C
Scale			Sheet 1 of 10



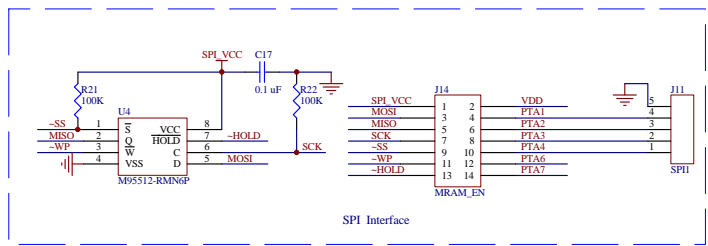
P&E Microcomputer Systems, Inc. 98 Galen Street Floor 2 Watertown, MA 02472 USA			
System Power Schematic			
Size B	FCSM No.	DWG No.	Rev C
Scale		Sheet 2 of 10	



P&E Microcomputer Systems, Inc. 99 Gates Street Floor 2 Watertown MA 02472 USA			
MCS58QJES Schematic			
Size C	PCSM No.	DWG No.	Rev C
Scale			Sheet 2 of 10



RS232



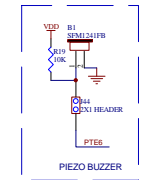
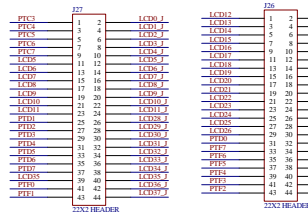
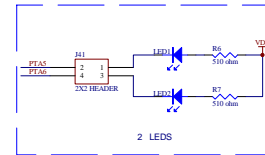
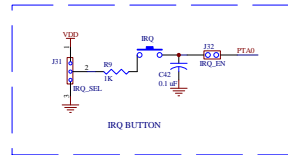
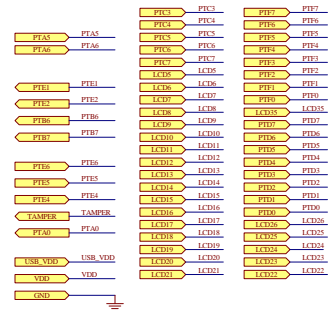
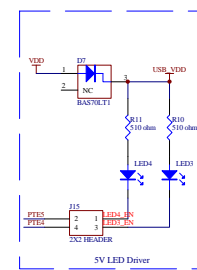
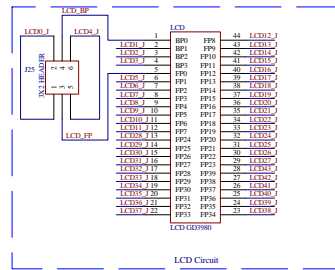
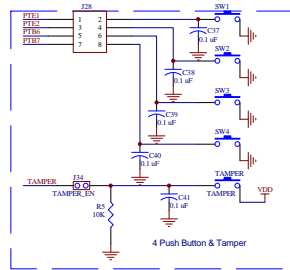
SPI Interface

- USB_TXD USB_TXD
- USB_RXD USB_RXD
- PTB3 PTB3
- PTB2 PTB2
- PTC1 PTC1
- PTC0 PTC0
- PTA6 PTA6
- PTA7 PTA7
- PTA4 PTA4
- PTA3 PTA3
- PTA2 PTA2
- PTA1 PTA1
- VDD VDD
- GND GND

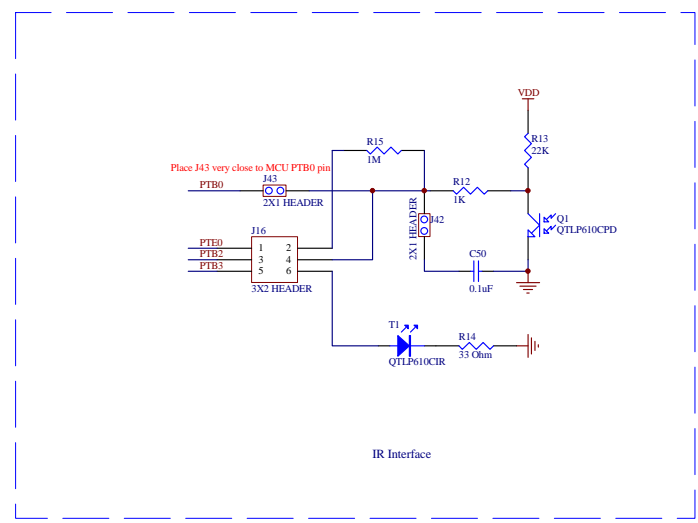
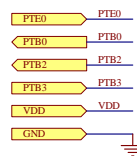
P&E Microcomputer Systems, Inc.
 98 Galen Street Floor 2
 Watertown,
 MA 02472
 USA

RS232 And SPI Schematic

Size B	FCSM No.	DWG No.	Rev C
Scale		Sheet 5 of 10	



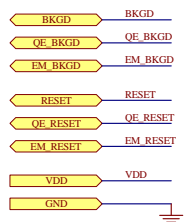
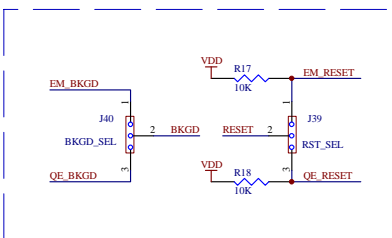
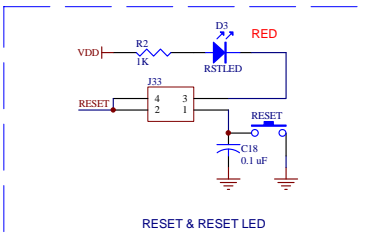
P&E Microcomputer Systems, Inc. 98 Gates Street Floor 2 Wareham MA 02472 USA			
LCD and User Interface Schematics			
Size C	PCSM No.	DWG No.	Rev C
Scale		Sheet 4 of 10	



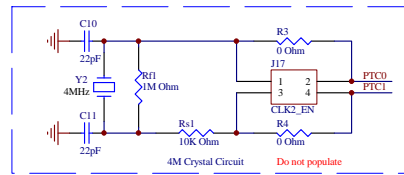
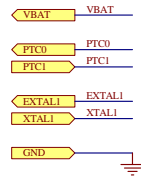
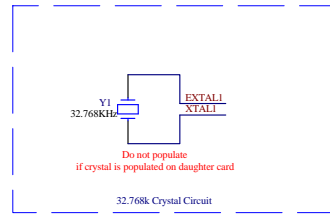
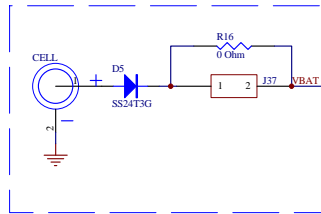
P&E Microcomputer Systems, Inc. 98 Galen Street Floor 2 Watertown, MA 02472 USA			
IR Interface Schematic			
Size B	FCSM No.	DWG No.	Rev C
Scale		Sheet 7 of 10	

D
C
B
A

D
C
B
A



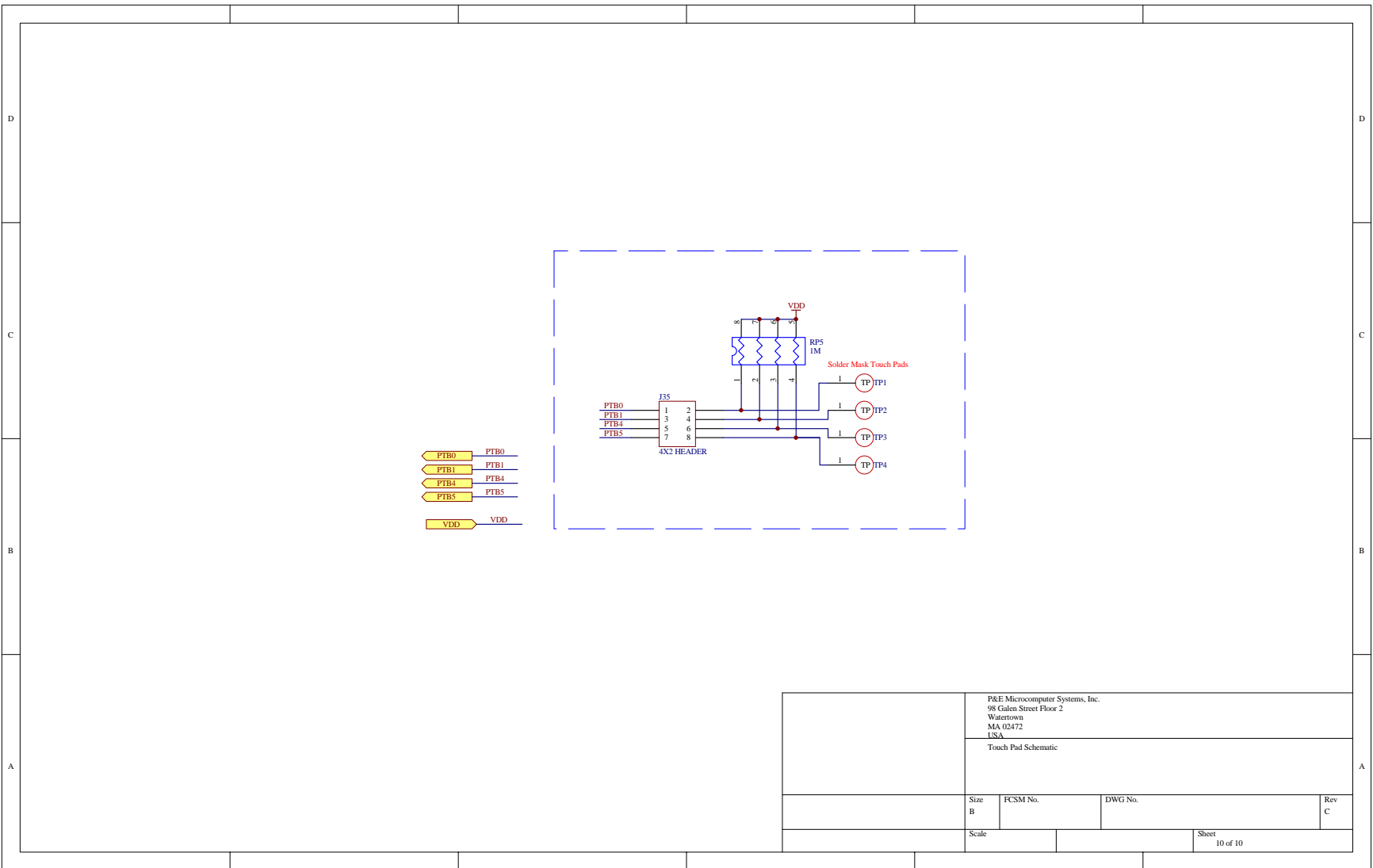
P&E Microcomputer Systems, Inc. 98 Galen Street Floor 2 Watertown, MA 02472 USA			
BDM and RESET Schematic			
Size B	FCSM No.	DWG No.	Rev C
Scale		Sheet 8 of 10	



P&E Microcomputer Systems, Inc.
 98 Galen Street Floor 2
 Watertown,
 MA 02472
 USA

RTC Schematic

Size B	FCSM No.	DWG No.	Rev C
Scale		Sheet 9 of 10	



P&E Microcomputer Systems, Inc.
 98 Galen Street Floor 2
 Watertown,
 MA 02472
 USA

Touch Pad Schematic

Size B	FCSM No.	DWG No.	Rev C
Scale		Sheet 10 of 10	