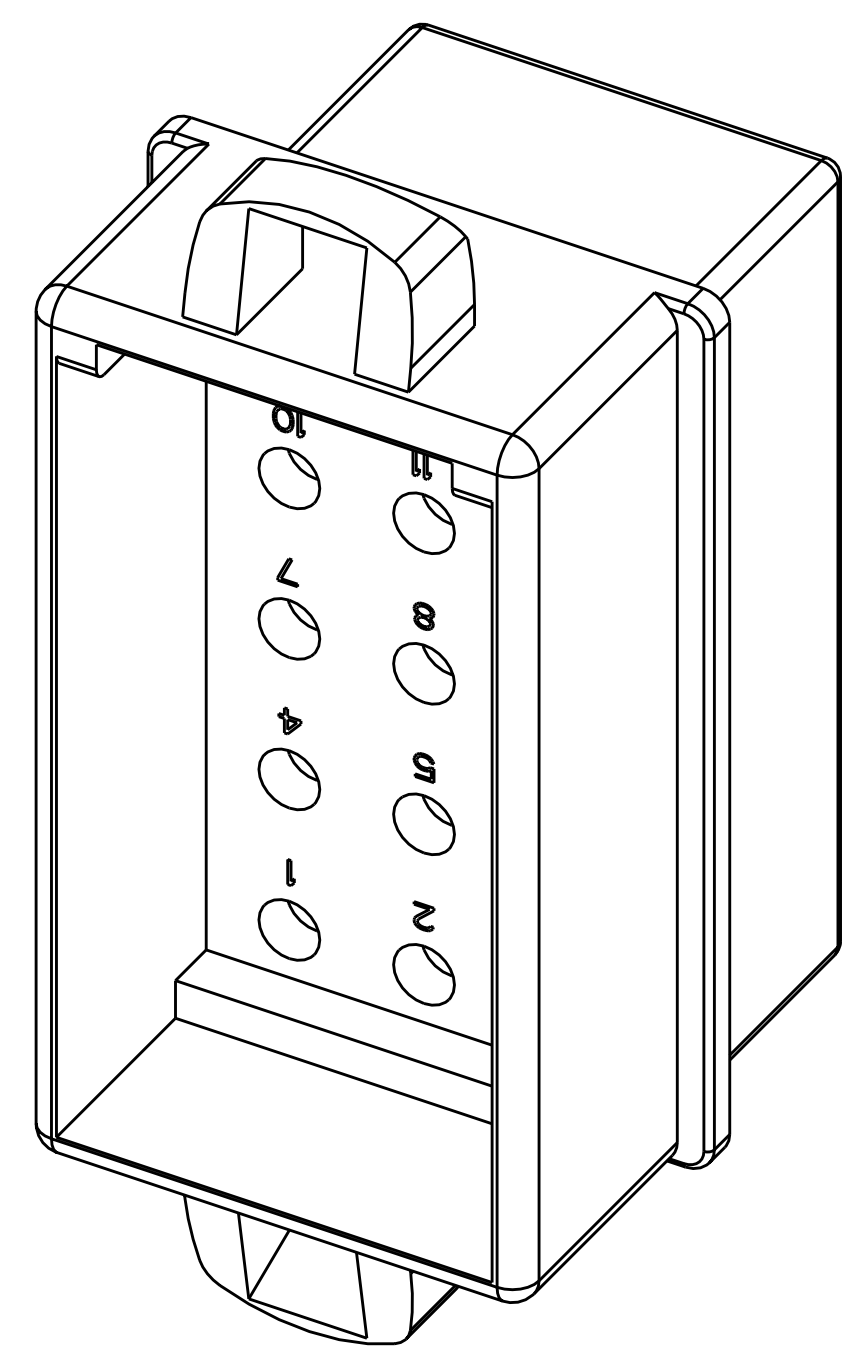
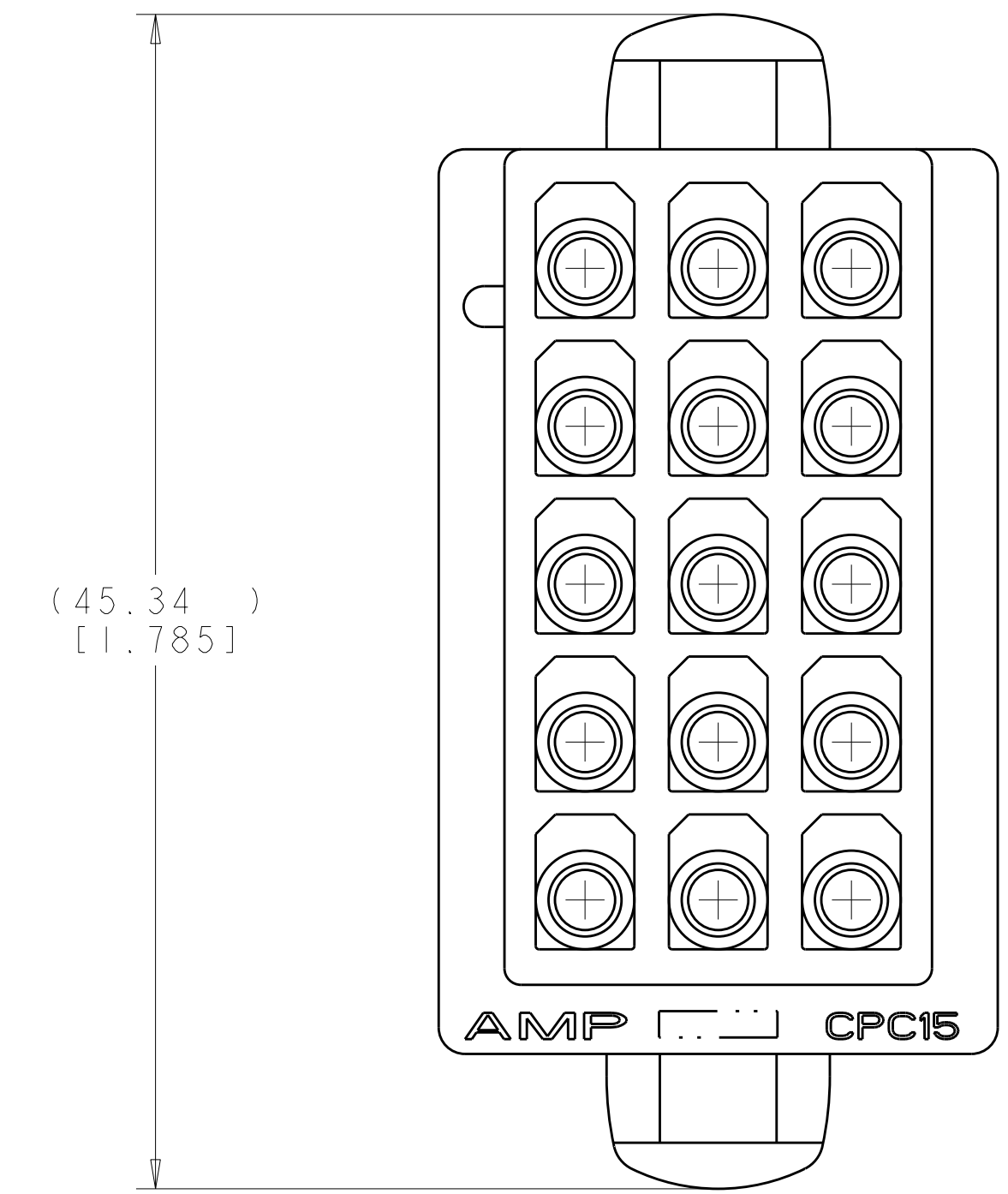
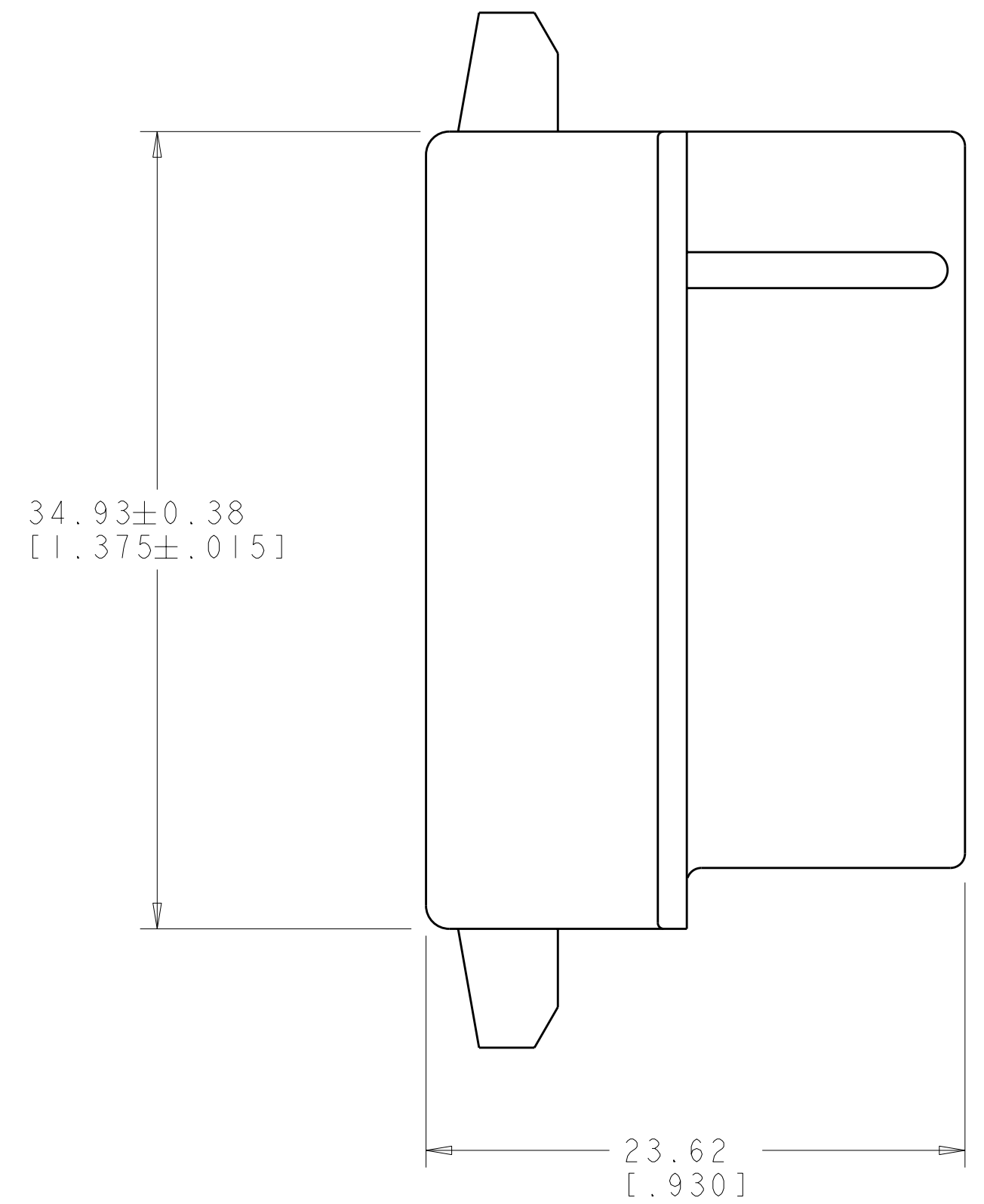
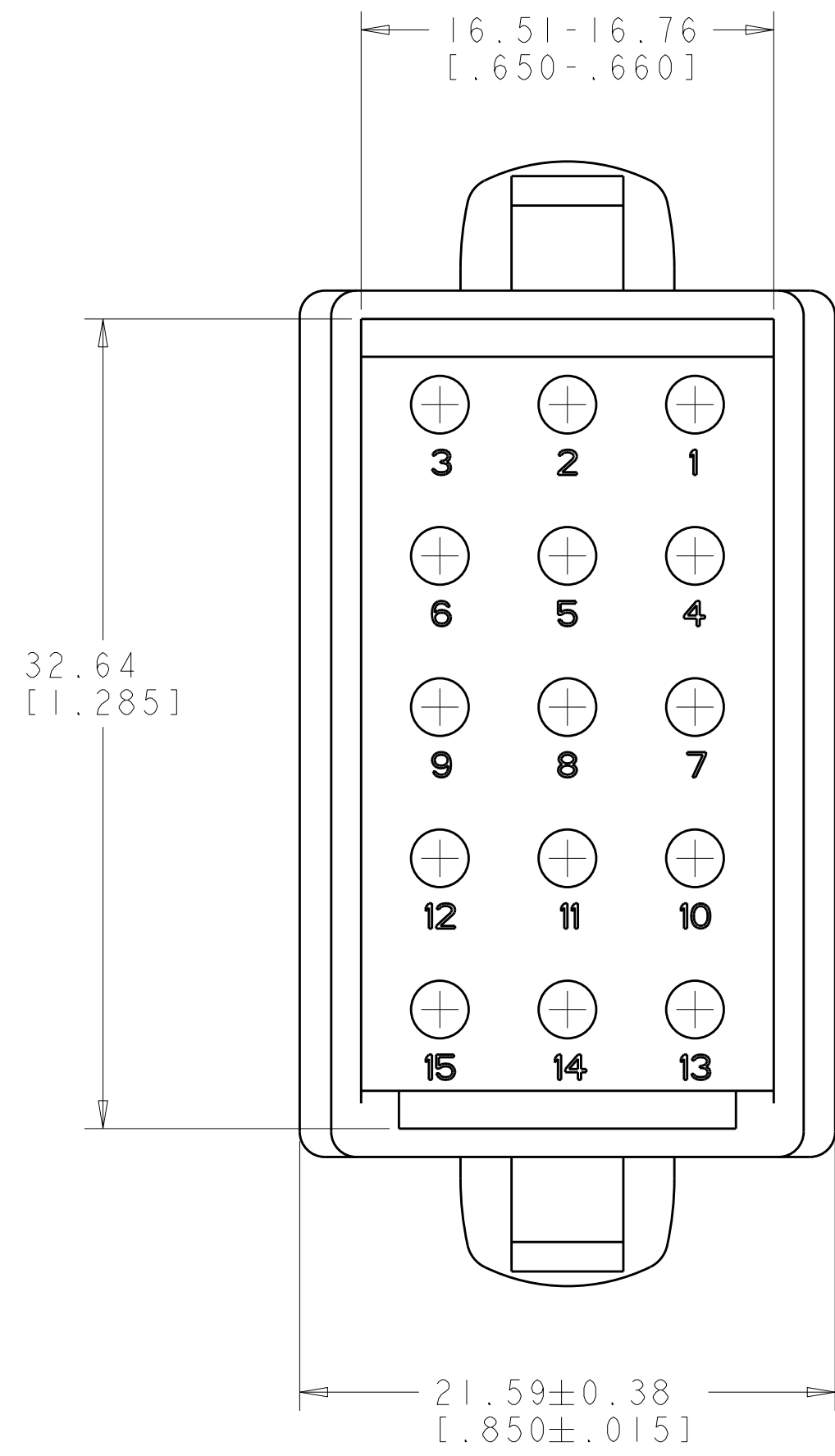


LOC	DIST	REV	DATE	DWN	APVD
CM	00	T	ECO-08-007186	19MAR2008	KW CC

1. TO BE USED WITH MATE-N-LOK™ PINS.
2. THIS CAP TO BE USED WITH PLUG 480323.



0.397 IN ³	1-480324-0
VOLUME	PART NUMBER

<small>THIS DRAWING IS UNPUBLISHED. RELEASED FOR PUBLICATION. ALL RIGHTS RESERVED. THIS IS SUBJECT TO CHANGE WITHOUT NOTICE AND WITHOUT OBLIGATION. SHOULD BE CONTACTED FOR THE LATEST REVISION.</small>		DWN: R. WHITAKER 19MAR2008 CHK: C. CASH 19MAR2008 APVD: C. CASH 19MAR2008	Tyco Electronics Harrisburg, PA 17105-3608
DIMENSIONS: mm [INCHES]	TOLERANCES UNLESS OTHERWISE SPECIFIED: 9 PLC ± 8 PLC ±0.13 (1.005) 5 PLC ± 4 PLC ± ANGLES ±1°	NAME: CAP, 15 CIRCUIT, MATE-N-LOK(TM) PRODUCT SPEC: APPLICATION SPEC: FINISH:	SIZE: A 00779 C=480324 DRAWING NO: C=480324 RESTRICTED TO:
MATERIAL: NYLON, NATURAL	FINISH:	WEIGHT:	CUSTOMER DRAWING SCALE: 4:1 SHEET: 1 OF 1 REV: T

METRIC