

4

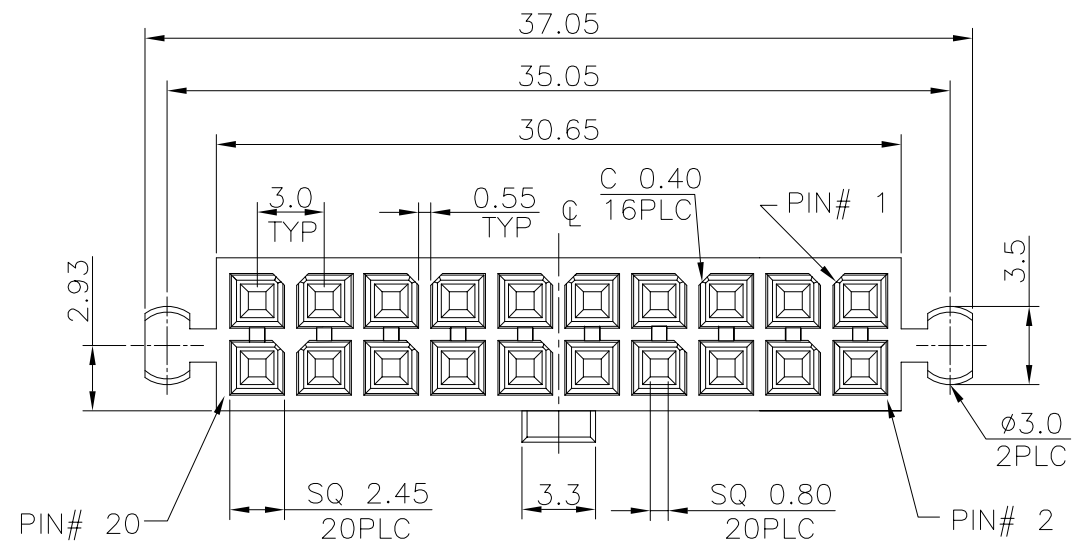
3

2

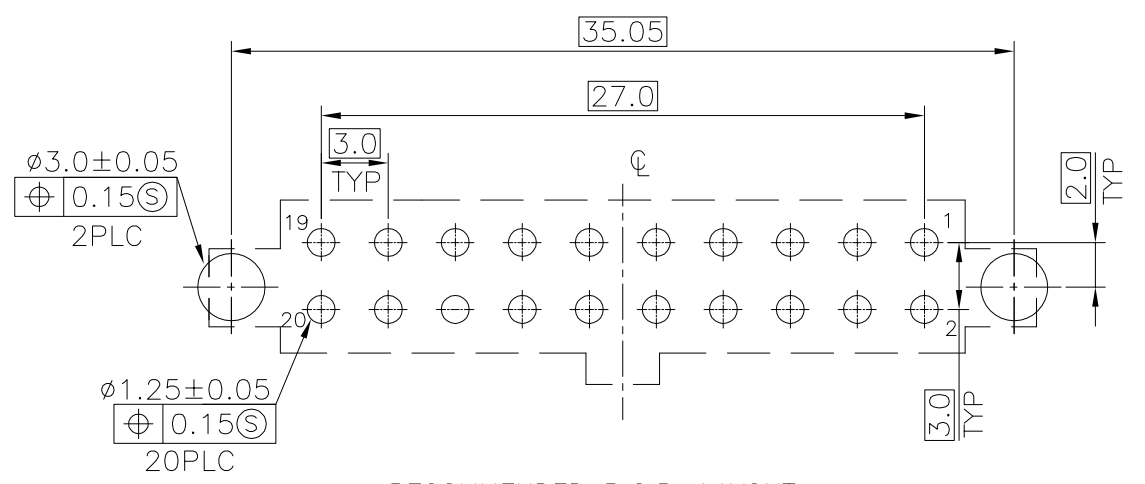
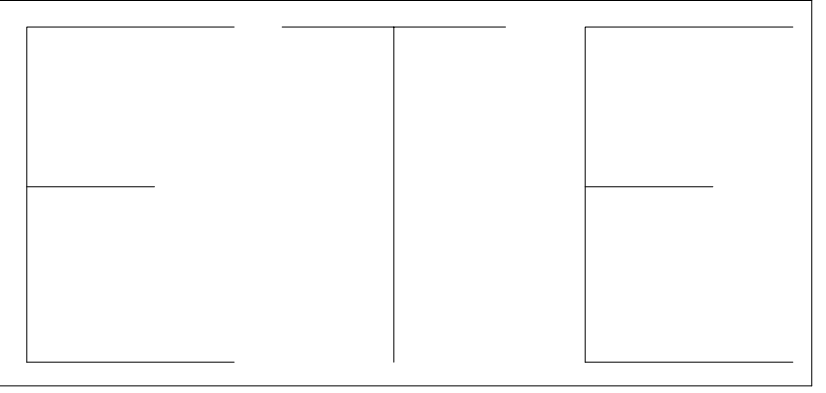
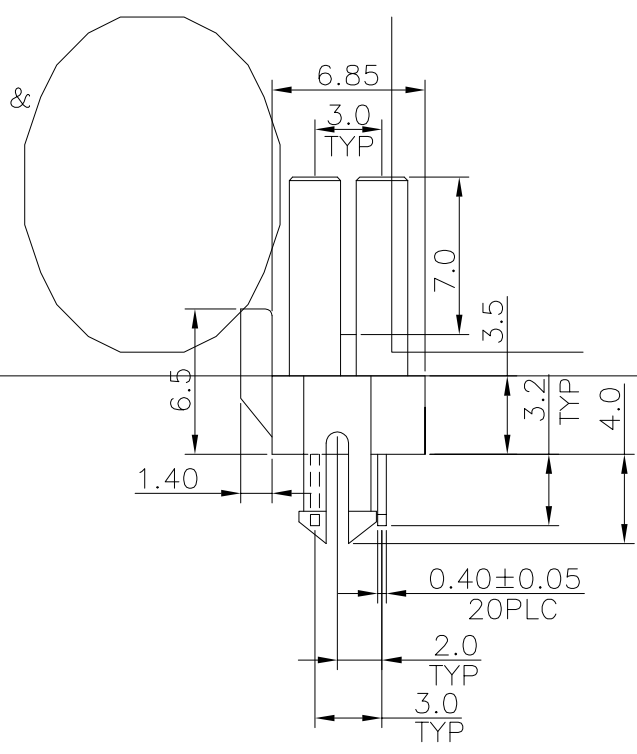
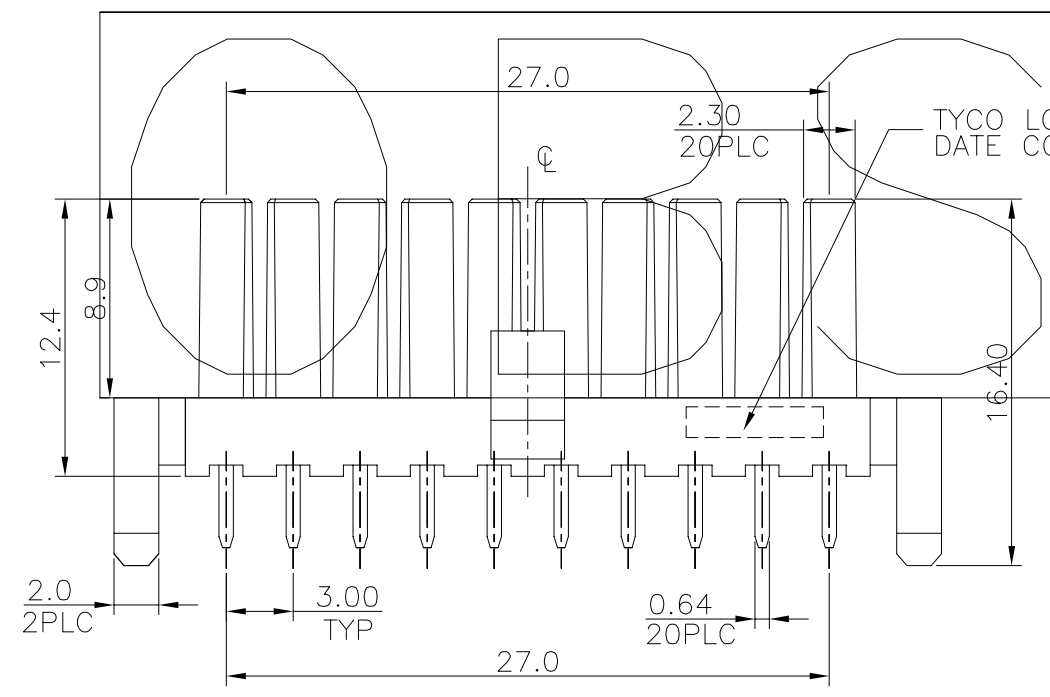
1

THIS DRAWING IS UNPUBLISHED. RELEASED FOR PUBLICATION
 © COPYRIGHT BY TYCO ELECTRONICS CORPORATION. ALL RIGHTS RESERVED.

LOC	DIST	REVISIONS			
P	LTR	DESCRIPTION	DATE	DWN	APVD
DW	-	B	PER ECO-15-013233	22OCT15	DS FY



- NOTES:
- MATERIAL:
HOUSING: PA6T WITH 30% GF, UL 94V-0, COLOR: BLACK.
CONTACT: BRASS.
 - FINISH:
CONTACT: GOLD FLASH PLATED ON CONTACT AREA
2.54um[100u"]MIN. MATTE-TIN PLATED ON SOLDER TAILS
1.27um[50u"]MIN. NICKEL UNDERPLATED ON ENTIRE CONTACT.
 - RECOMMENDED PCB THICKNESS: 1.6mm.
 - WAVE SOLDER CAPABLE TO 265°C AS PER TYCO SPEC 109-202, CONDITION B.



RECOMMENDED P.C.B. LAYOUT
 TOLERANCE: ±0.05

1775373-1
 PART NUMBER

THIS DRAWING IS A CONTROLLED DOCUMENT.		DWN	J. LEE	19DEC2006	tyco Electronics	Tyco Holdings (Bermuda) VII Ltd. Taiwan Branch		
DIMENSIONS: MM		CHK	S. HOU	19DEC2006		NAME		
TOLERANCES UNLESS OTHERWISE SPECIFIED:		APVD	W.J. KE	19DEC2006	PRODUCT SPEC			
0 PLC ± -		QUALIFICATION TEST REPORT			3.0mm BTX POWER, 20 POS, RCPT, VERTICAL, DIP CONNECTOR			
1 PLC ± 0.3		501-57747			SIZE	CAGE CODE	DRAWING NO	RESTRICTED TO
2 PLC ± 0.25		CUSTOMER DRAWING			A3	00779	C=1775373	-
3 PLC ± -		WEIGHT			SCALE			SHEET
4 PLC ± -		3.2 GRAMS			-			1 of 2
ANGLES ± 3'		MATERIAL			REV			B
SEE NOTE		FINISH			SEE NOTE			

4

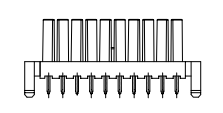
3

2

1

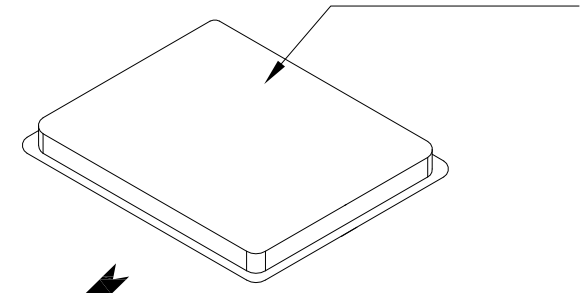
THIS DRAWING IS UNPUBLISHED. RELEASED FOR PUBLICATION
 © COPYRIGHT BY TYCO ELECTRONICS CORPORATION. ALL RIGHTS RESERVED.

LOC	DIST	REVISIONS				
P	LTR	DESCRIPTION	DATE	DWN	APVD	
DW	-	SEE SHEET 1.				

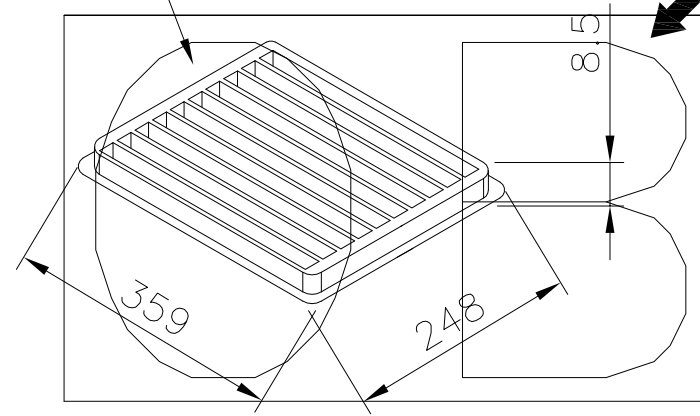


90 PCS

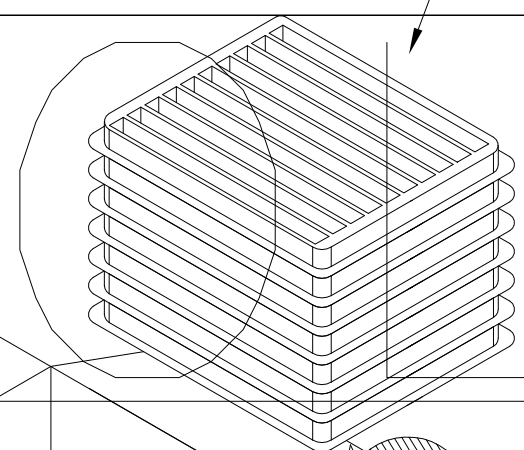
COVER TRAY



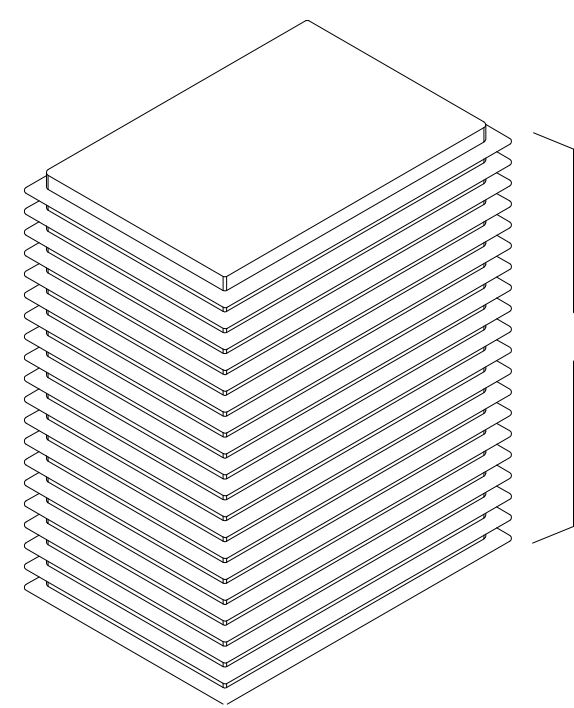
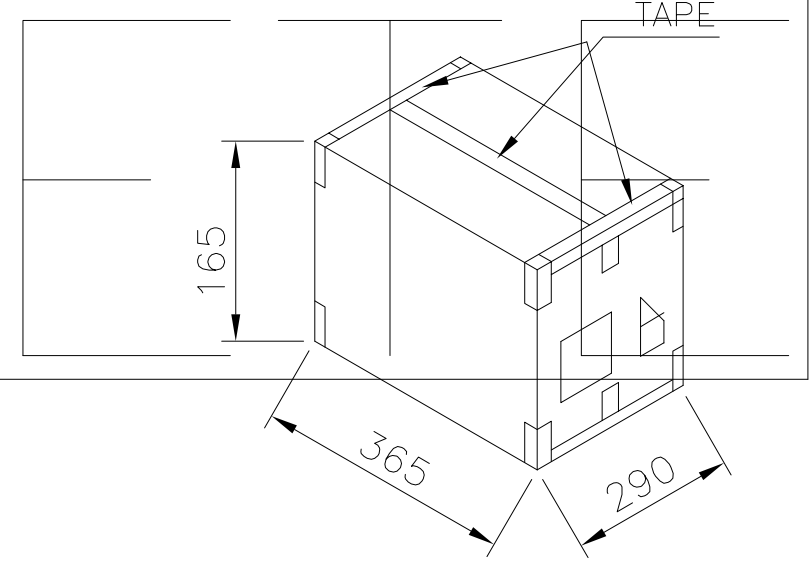
TRAY



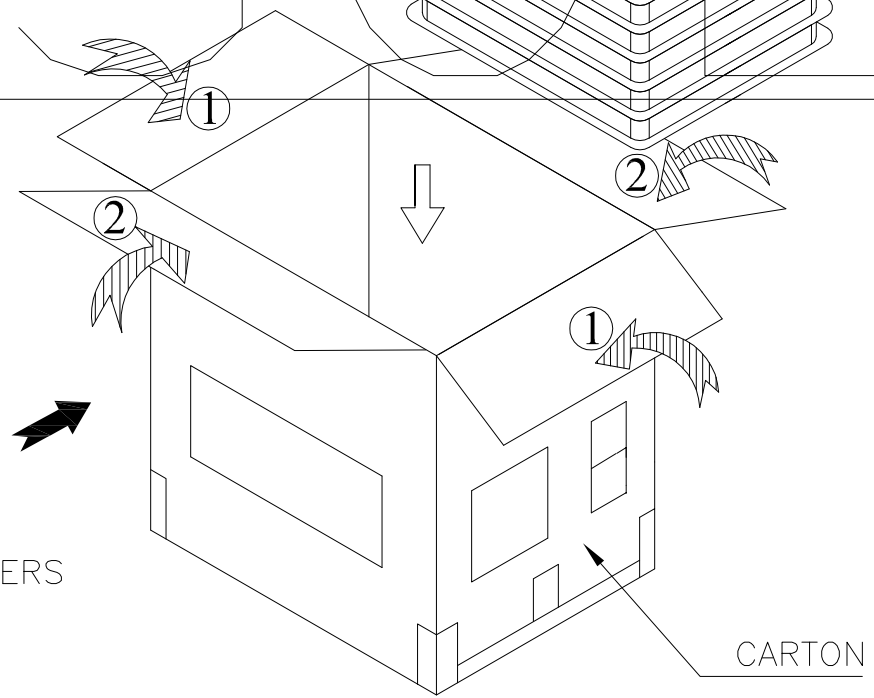
20 LAYERS



TAPE



20 LAYERS



CARTON

7.0 kg	5.6 kg	1800	90	20
GROSS WEIGHT	NET WEIGHT	PCS/CARTON	PCS/TRAY	TRAYS/CARTON

THIS DRAWING IS A CONTROLLED DOCUMENT.		DWN J. LEE	19DEC2006	tyco Electronics	Tyco Holdings (Bermuda) VII Ltd. Taiwan Branch		
DIMENSIONS: MM		CHK S. HOU	19DEC2006		NAME		
TOLERANCES UNLESS OTHERWISE SPECIFIED:		APVD W.J. KE	19DEC2006	3.0mm BTX POWER, 20 POS, RCPT, VERTICAL, DIP CONNECTOR			
0 PLC ± -		PRODUCT SPEC		SIZE	CAGE CODE	DRAWING NO	RESTRICTED TO
1 PLC ± -		APPLICATION SPEC		A3	00779	C=1775373	-
2 PLC ± -		WEIGHT		CUSTOMER DRAWING			SCALE
3 PLC ± -		-		SHEET			2 OF 2
4 PLC ± -		-		REV			B
ANGLES ± -		-					
MATERIAL		FINISH					